

DROP IN KITCHEN SINK

Cat. No.
6911



Features:

- ▶ 16 Gauge Metal
- ▶ Single Bowl
- ▶ Drop In
- ▶ 1-1/4" Rim
- ▶ Flange measures 4-5/8" in diameter and 1/4" in height
- ▶ Copper has natural bacteria fighting properties
- ▶ Copper is a Living Finish and will Patina Over Time
- ▶ No Overflow

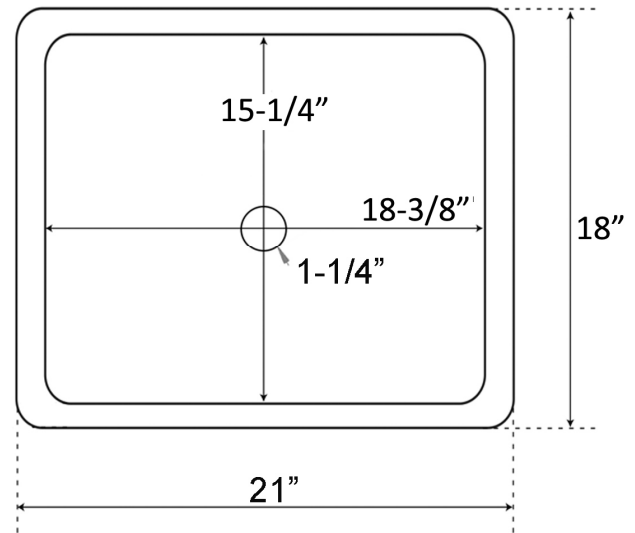
Finishes:

AC Hammered Antique Copper

Compliance Certification
Material is consistent with
UNS C81100 Copper Casting
Alloy with respect to chemical
composition.

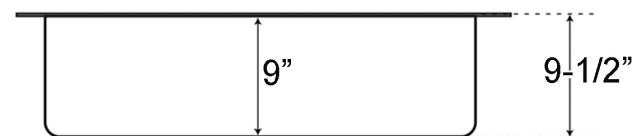
Basin Dimensions:

W: 21"
D: 18"
H: 9-1/2"



Interior Dimensions:

Basin Interior: 18-3/8" x 15-1/4"
Basin Depth: 9"



Dimensions of fixture are nominal and may vary. Dimensions and specifications subject to change without notice.