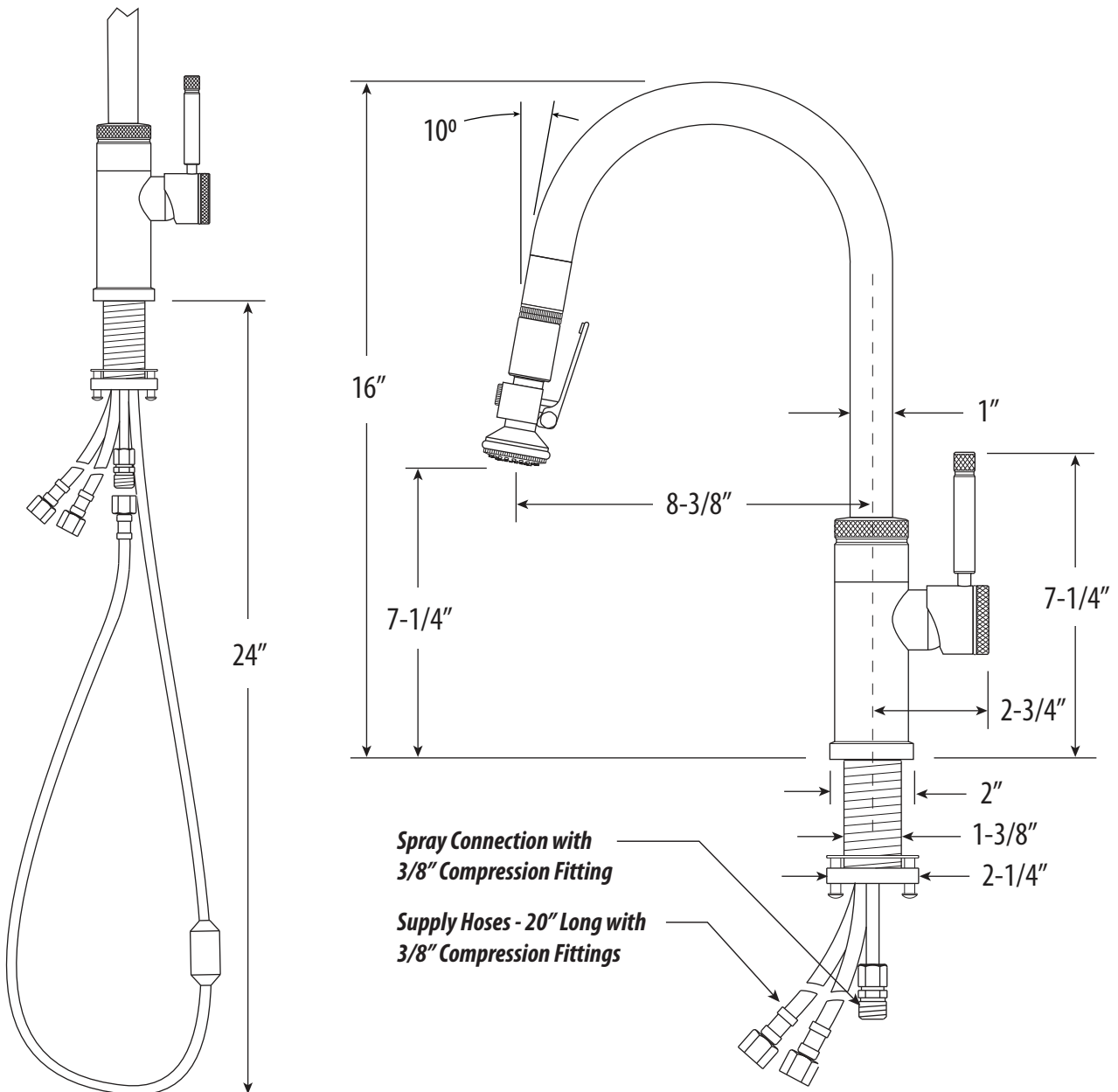


## INDUSTRIAL PREP SIZE PLP PULLDOWN FAUCET / ANGLED SPOUT

# 9940

- Max Counter Thickness 2-3/8"
- Minimum Install Hole Size 1-1/2"



**ECO BRASS**  
HIGH PERFORMANCE LEAD FREE BRASS

DIMENSIONS MAY VARY AND ARE SUBJECT TO CHANGE. NO RESPONSIBILITY IS ASSUMED FOR USE OF SUPERCEDED OR VOIDED DATA