

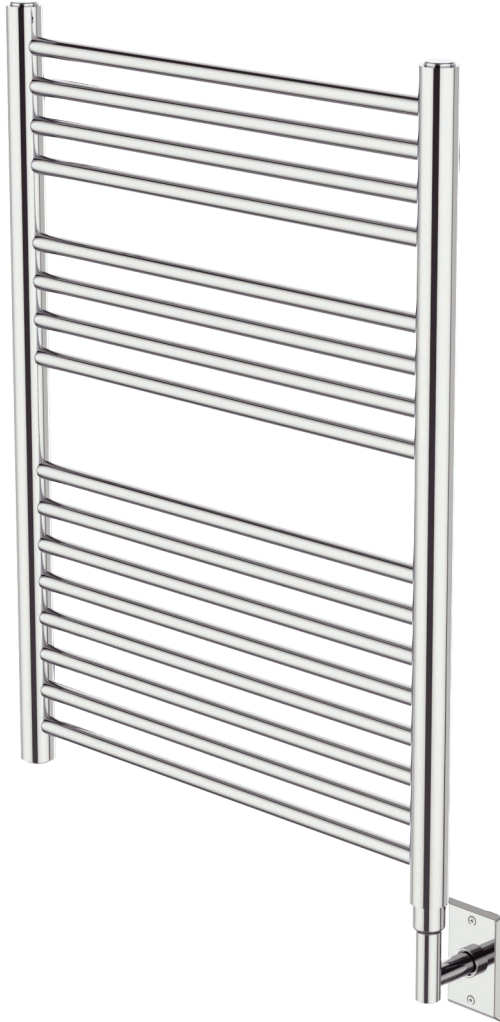


**SEATTLE**  
Towel Warmer  
Chauffe-serviettes  
Calentador de toallas

**PRODUCT SPECIFICATION SHEET**

**SEATTLE SERIES**

SEA-0800600-PC



**FEATURES**

- WALL MOUNTED
  - HARDWIRE INSTALLATION KIT
  - MOUNTING INSTRUCTIONS
  - ALL ELECTRIC AND OIL FILLED
  - COVER PLATES
- TIMERS AVAILABLE SEPARATELY (NOT INCLUDED)

**SIZES**

- 540x500 MM
- 800x500 MM
- 1200x600 MM

**STOCKED FINISHES**

- POLISHED CHROME (PC)
- POLISHED NICKEL (PN)
- BRUSHED NICKEL (BN)
- MATTE BLACK (MB)
- BRUSHED BRASS (BB)



SEA-0800600-BN    SEA-0800600-PN    SEA-0800600-MB    SEA-0800600-BB

SEE OVER FOR SPECIFICATION DRAWINGS

Product Code	Finishes	Sizes (mm)		Sizes (Inches)		Output (Watts/BTU)	Element Size	Number of Elements
		Height	Width	Height	Width			
SEA-0800600	PC, BN, PN, MB, BB	800	600	31.5	23.62	288 / 981	150W	16
SEA-1200600	PC, BN, PN, MB, BB	1200	600	47.24	23.62	431 / 1472	300W	24
SEA-0540500	PC, MB	540	500	21.26	19.69	125 / 425	100W	7



Distributed by Kartners Bathroom Accessories  
Address: North Vancouver, British Columbia, Canada  
toll free number: 1-877-490-3537  
website: [www.vernontowelwarmers.com](http://www.vernontowelwarmers.com)

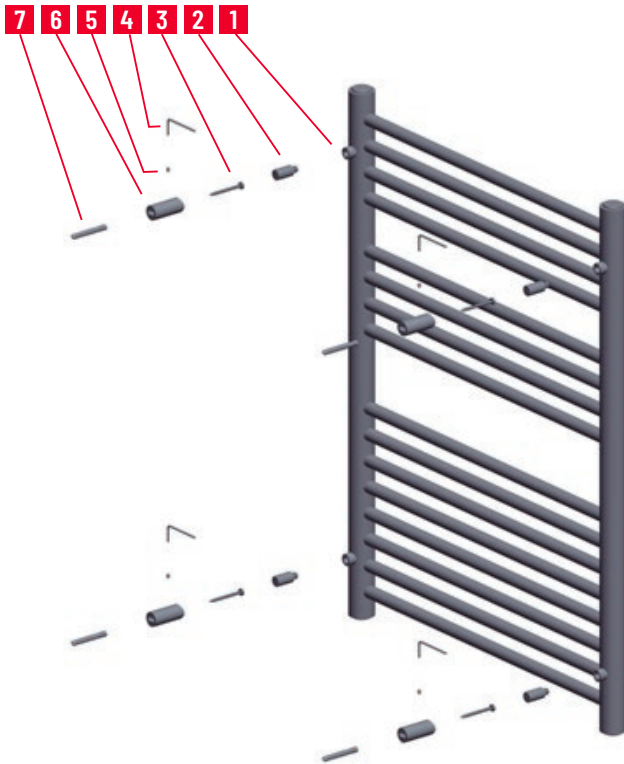
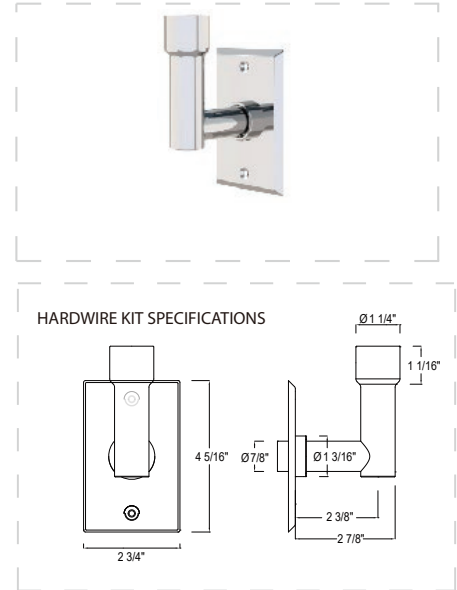
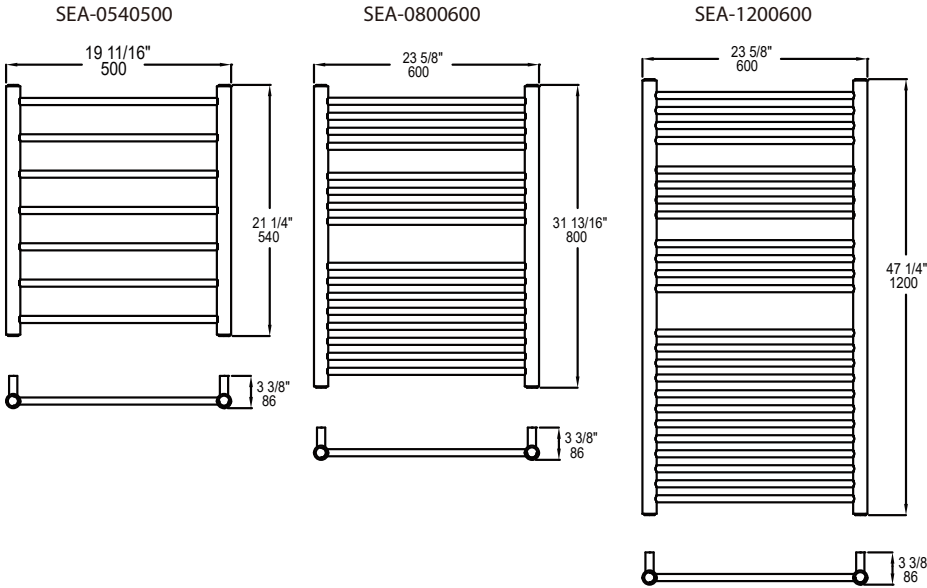
Email: [support@vernontowelwarmers.com](mailto:support@vernontowelwarmers.com)



**SEATTLE**  
Towel Warmer  
Chauffe-serviettes  
Calentador de toallas

**PRODUCT SPECIFICATION SHEET**

Vernon Towel Warmer Hardwire Kit Round -PC  
Code: VTW-HWK-RD-PC



**Installation  
Diagram 3  
- Seattle**

1. Solid fixing lug
2. Wall support core
3. Wall screw
4. Allen key
5. Grub screw
6. Wall support
7. Wall plug

**TIMERS AVAILABLE**



VPT24-1PZ



DDS15-BDZ



Distributed by Kartners Bathroom Accessories  
Address: North Vancouver, British Columbia, Canada  
toll free number: 1-877-490-3537  
website: [www.vernontowelwarmers.com](http://www.vernontowelwarmers.com)

Email: [support@vernontowelwarmers.com](mailto:support@vernontowelwarmers.com)