

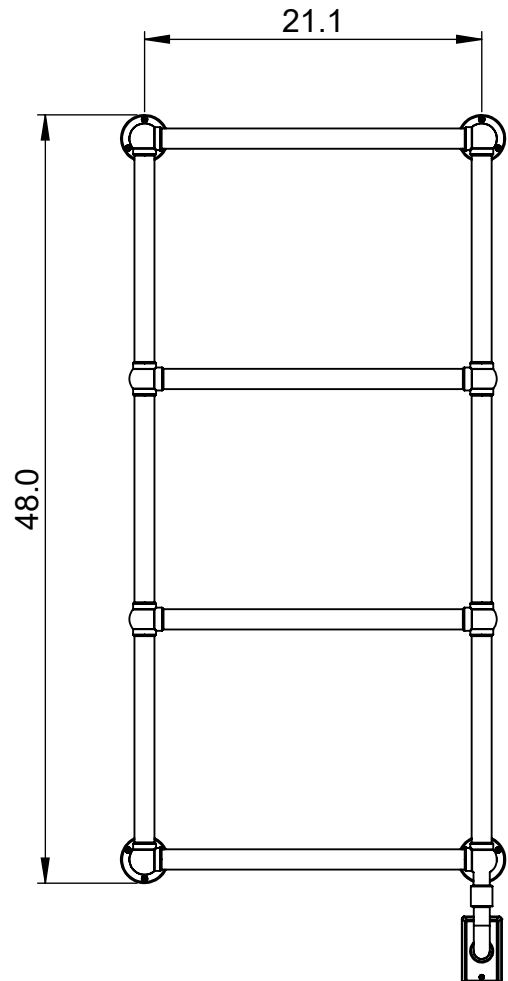
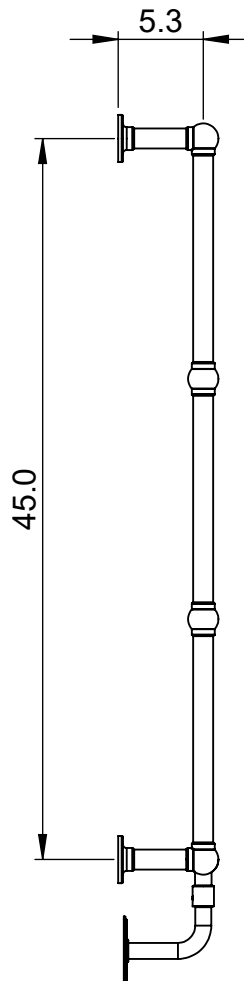
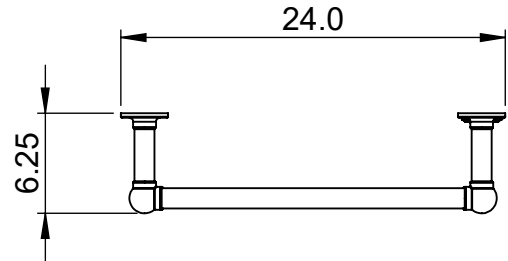
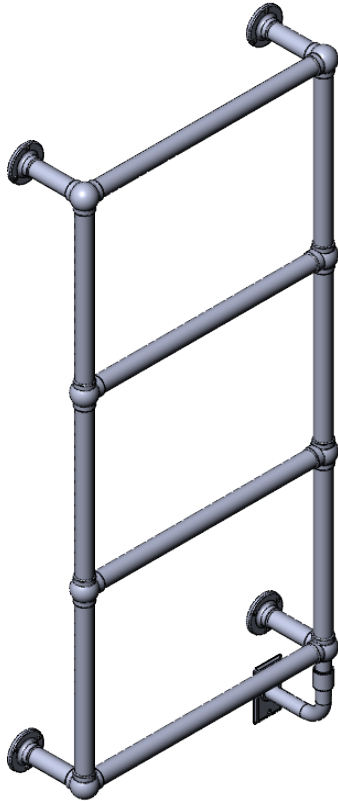
Fitz-Herbert-48.0x24.0

Height: 48.0
Width: 24.0
Depth: 6.25
Weight HO: kg
EO: kg

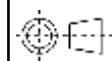
Tube ϕ : 1.25
Pipe Centres: 21.1
Elec. element if specified: 150
Output @ 50°C Δ T Watts: N/A
BTUs: N/A

All dimensions in inches

Manufactured from ISO/CEN CuZn36As (BS126) brass tube



Vogue UK Ltd. reserve the right to alter specifications without prior notice.
ALL MEASUREMENTS ARE NOMINAL DIMENSIONS ONLY, AND ARE NOT BINDING.



SCALE 1:10



175 Memorial Drive Unit C
Shrewsbury MA 01545 USA
Tel: 508 887 8771 Fax: 508 887 8774
e-mail: info@vougeuk.com ww.vougeuk.com