

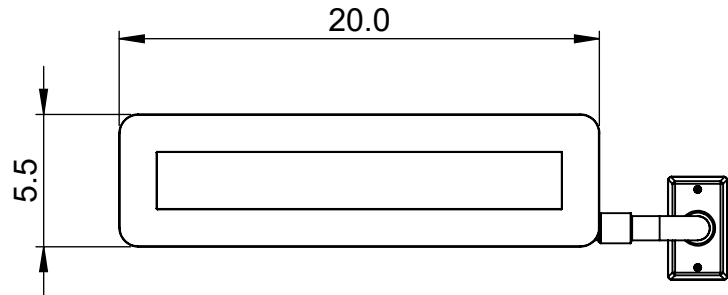
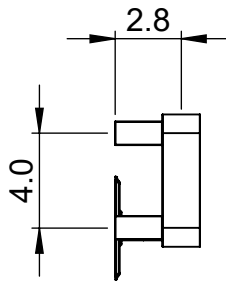
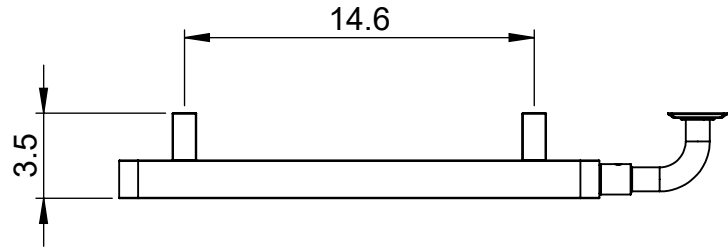
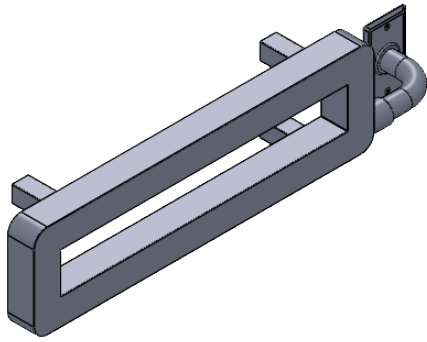
# EUC6A-5.5x20.0 Rad

Height: 5.5  
Width: 20.0  
Depth: 3.5  
Weight HO: kg  
EO: kg

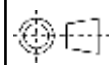
Tube  $\phi$ : 1.57sq  
Pipe Centres: N/A  
Elec. element if specified: 75  
Output @ 50°C  $\Delta$ T Watts: N/A  
BTUs: N/A

All dimensions in inches

Manufactured from 1.4301/X5CrNi18-10 Stainless Steel



Vogue UK Ltd. reserve the right to alter specifications without prior notice.  
ALL MEASUREMENTS ARE NOMINAL DIMENSIONS ONLY, AND ARE NOT BINDING.



SCALE 1:10



175 Memorial Drive Unit C  
Shrewsbury MA 01545 USA  
Tel: 508 887 8771 Fax: 508 887 8774  
e-mail: info@vougeuk.com ww.vougeuk.com