



# SYMMONS<sup>®</sup>

## Rain Showerhead, 4-166

### Specification Submittal



#### Model Numbers

- 4-166 6" Rain Showerhead

#### Product Highlights

- Single mode showerhead
- Ball joint connection
- Standard flow rate is 2.5 gpm (9.5 L/min)
- Polished Chrome finish

#### Finish Options / Modifications

*Append appropriate -suffix to model number.*

- 1.5 1.5 gpm (5.7 L/min) flow restrictor
- 2.0 2.0 gpm (7.6 L/min) flow restrictor
- STN Satin nickel
  - Polished chrome finish (standard)

#### Standards / Certifications

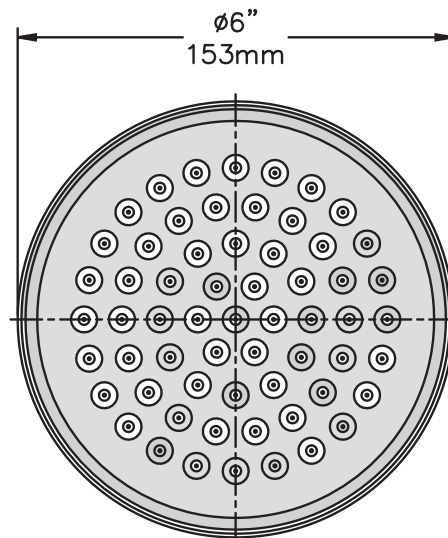
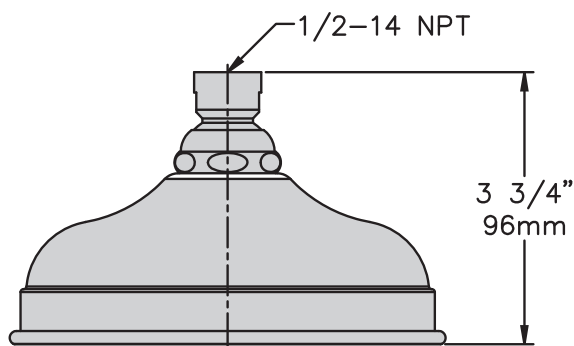
-ASME A112.18.1/CSA B125.1



#### Warranty

- **Limited Lifetime** - to the original end purchaser in residential / consumer installations.
- **5 years** - for commercial installations

#### Dimensions Rain Shower Head, 4-166



**Note:** Dimensions subject to change without notice.

Symmons Industries, Inc. ■ 31 Brooks Drive ■ Braintree, MA 02184  
 Phone: (800) 796-6667 ■ Fax: (800) 961-9621  
 Website: symmons.com ■ Email: gethelp@symmons.com

Copyright © 2017 Symmons Industries, Inc. ■ ZV-1766 REV A ■ 082817



**SYMMONS<sup>®</sup>**  
the smart choice™