

Wall-Mounted Round Eye/Face Wash Bowl

FEATURES:

- (2) yellow plastic spray outlets with integral flow control and flip-top dust caps
- Round yellow plastic bowl
- Stainless steel push handle activation
- Chrome plated 1/2" NPT female brass valve
- 1/2" NPT female inlet
- 4.5 GPM (17.0 L/min) @ 30 PSI flow rate
- Cold-rolled steel, DuraJade™ powder coated mounting bracket for durability & enhanced corrosion resistance
- Universal emergency sign included

OPTIONS:

- FPV: Freeze Protection Valve
- HFO: Hand/Foot Operation
- HS: Hand held drench hose
- ILS: In-line strainer for 1/2" IPS piping
- PT: P-Trap
- SPV: Scald Protection Valve
- STW: Thermostatic Mixing Valve

STANDARDS:

- ANSI/ISEA Z358.1 certified

WARRANTY:

Visit www.speakman.com for full product warranty information

- 3 Year Limited Warranty (commercial)



Information continues on next page

**ENSURE YOU ARE ANSI/ISEA Z358.1
Tepid Water Compliant
by incorporating Speakman's 9.7 GPM
Thermostatic Mixing Valve.**



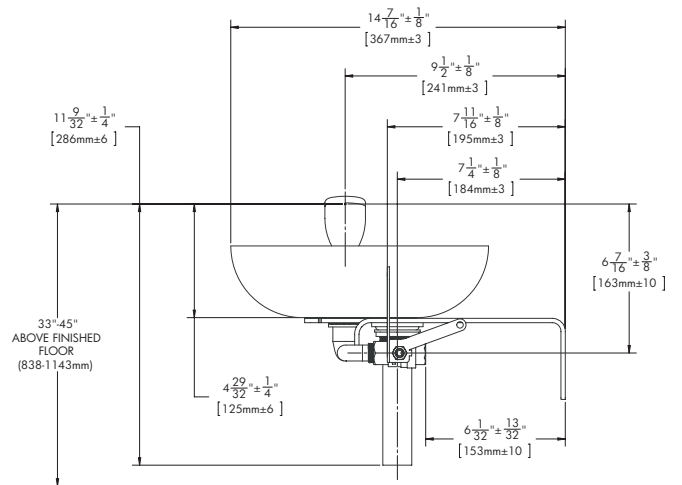
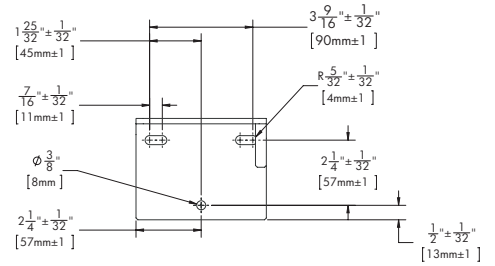
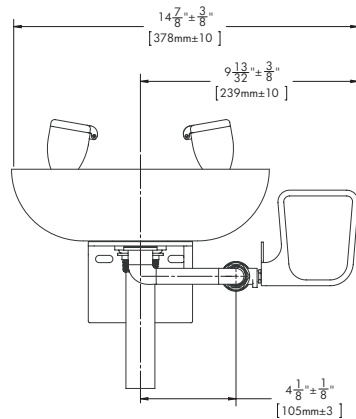
- **STW OPTION:** Add the -STW suffix to the part number, this product ships complete with the TMV
- **STW-370:** Thermostatic Mixing Valve (valve only)
- **SE-TW-EW:** Thermostatic Mixing Valve with necessary connections for eye and eye/face wash products

All dimensions are in inches (millimeters) unless otherwise specified and are subject to change without notice.

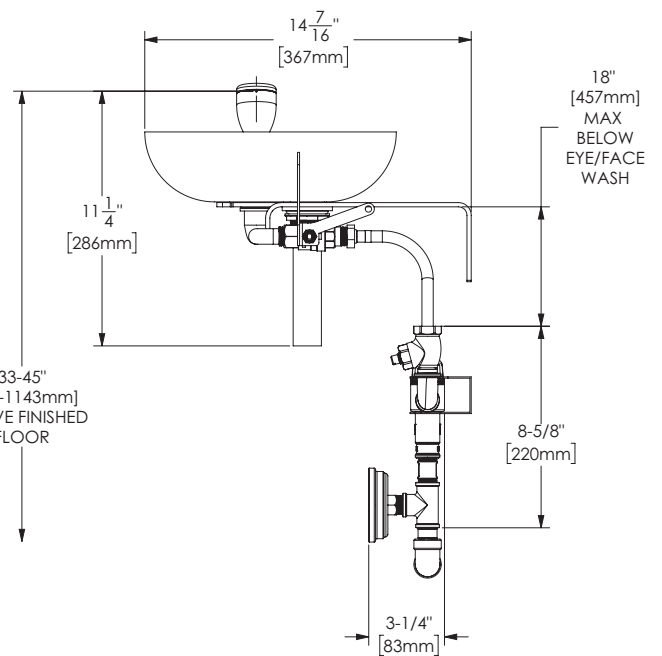
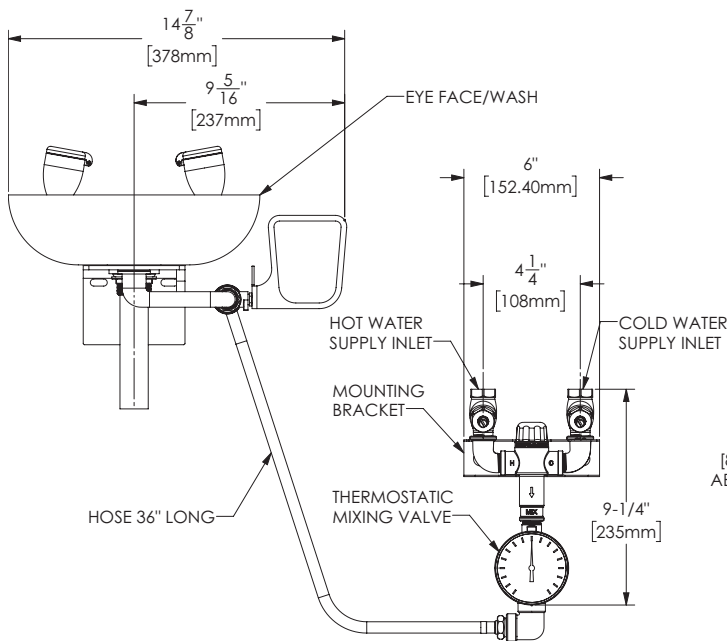
Architect/Engineer Approval Space:

P: 800-537-2107
F: 800-977-2747
W: WWW.SPEAKMAN.COM
R: 02-NOVEMBER 2019

Wall-Mounted Round Eye/Face Wash Bowl



SE-490 with TMV



1. All dimensions are in inches [millimeters] unless otherwise specified and are subject to change. 2. This unit should be connected to an uninterrupted source of potable water, with a minimum flowing pressure of 30 psi and a maximum static pressure of 125 psi. 3. Before mounting mixing valve, verify the supply hose will reach the connection.

Architect/Engineer Approval Space:

P: 800-537-2107

F: 800-977-2747

W: WWW.SPEAKMAN.COM

R: 02-NOVEMBER 2019