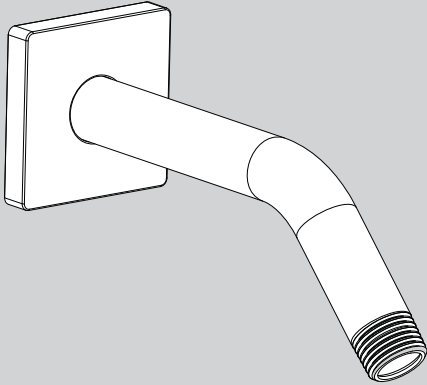


INSTRUCTIONS FOR MODELS

CDS2501



TOOLS AND SUPPLIES

Thread Seal Tape



Allen Wrench (Included)



IMPORTANT



Be sure to read instructions thoroughly before beginning installation. Do not overtighten any connections or damage may occur.

SAFETY TIPS

Cover your drain to prevent loss of parts.

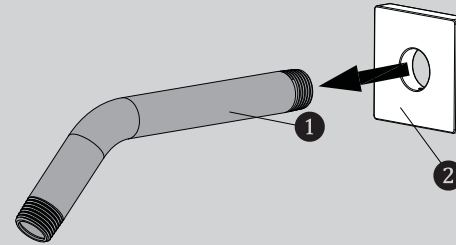
MAINTENANCE

Your new Shower Arm is designed for years of trouble-free performance. Keep it looking new by cleaning it periodically with a soft cloth. Avoid abrasive cleaners, steel wool and harsh chemicals as these will dull the finish and void your warranty.

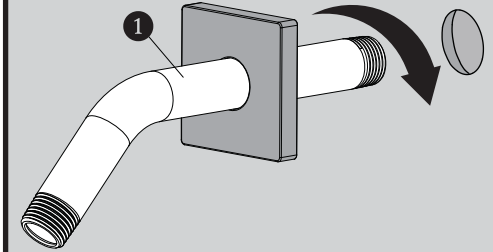
WARRANTY

Additional warranty information can be found at: www.speakman.com

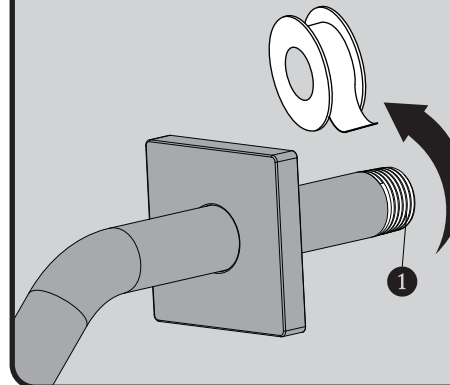
- 1** Slide Escutcheon Plate (2) over the long end of the Shower Arm (1).



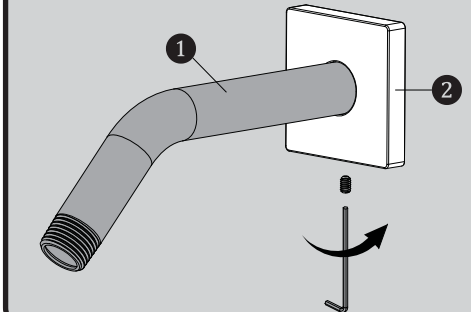
- 3** Thread Shower Arm (1) into Female Pipe Fitting within the wall. Firmly tighten, and make sure Shower Arm (1) Outlet is pointing in a downward position.



- 2** Apply Thread Seal Tape to inlet side of Shower Arm (1).



- 4** Position Escutcheon Plate (2) flat against wall. Secure Escutcheon Plate (2) to Shower Arm (1) by tightening set screw with Allen Wrench (Hex: 2.0mm) provided.



NEED HELP?

For additional assistance or service please contact:

SPEAKMAN® Company
400 Anchor Mill Road
New Castle, DE 19720

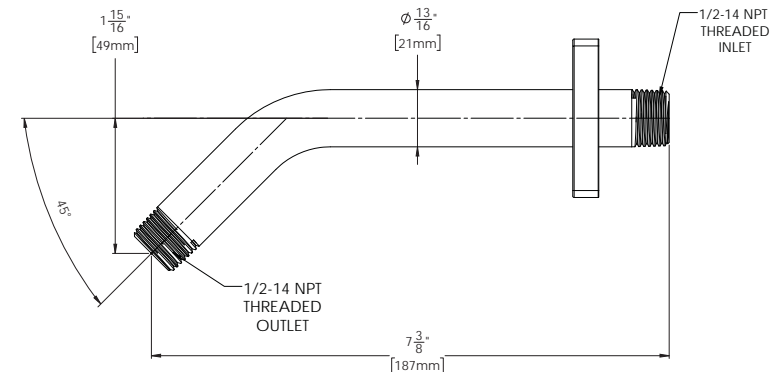
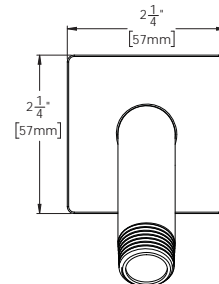
800-537-2107

customerservice@speakman.com

www.speakman.com

92-CDS2501-01

ROUGH IN DIMENSIONS



Specifications:

Supply Inlet: 1/2" NPT
Outlet: 1/2" NPT