



GRACELINE TRIM FOR THERMOSTATIC/NON-VOLUME CONTROLLED TRIM

Michael Berman Graceline™

MB2040LM (Lever Handle)

MB2040DM (Metal Dial Handle)

FEATURES

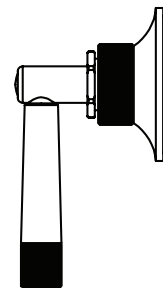
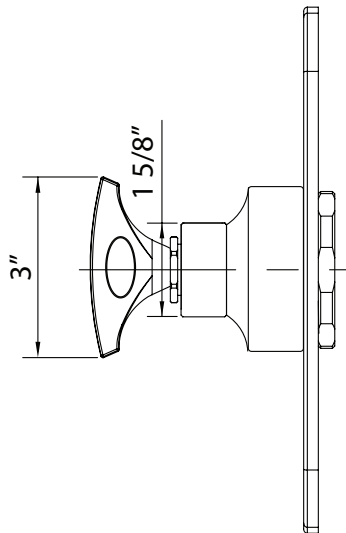
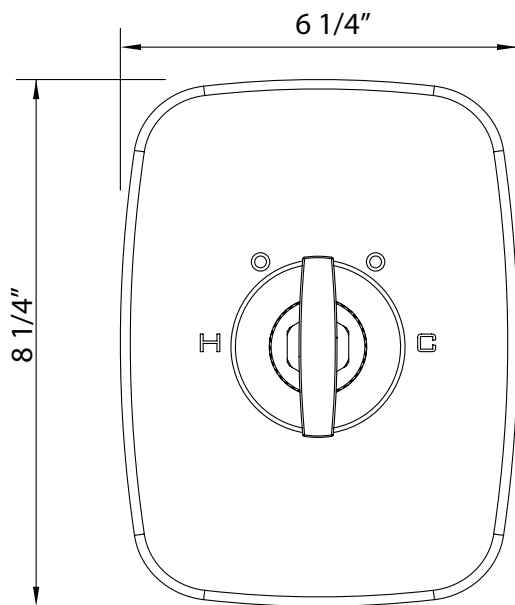
- Trimplate, lever or dial temperature control handle
- Brass construction
- Temperature control includes pre-set safety stop with override
- Must order R1085BO rough valve to complete

COLORS/FINISHES

- Polished Chrome
- Polished Nickel
- Satin Nickel
- French Brass
- Satin Gold

WARRANTY

- Limited lifetime*
- * 5 Years Warranty on Satin Gold Finish
- * No Warranty on French Brass Finish



Lever Handle