

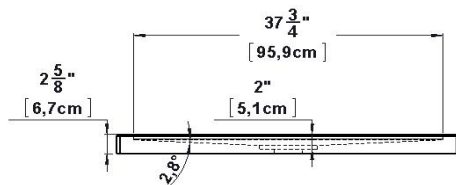
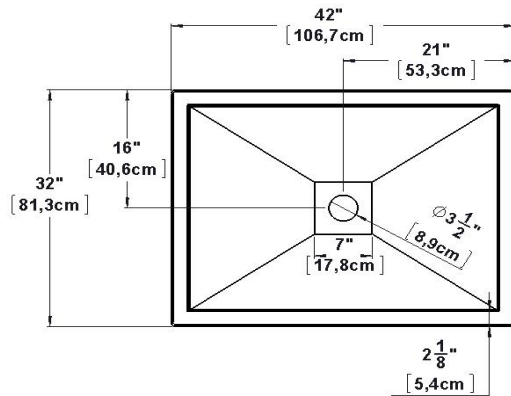
Base 42x32 square drain cover Product code : **SB4232**

Draft revision : **20140710150000**

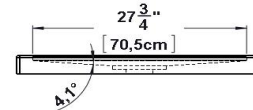
External dimensions : **42" x 32" x 2,625" [106,7 cm x 81,3 cm x 6,7 cm]**

Material : **acrylic**

Draft and specs



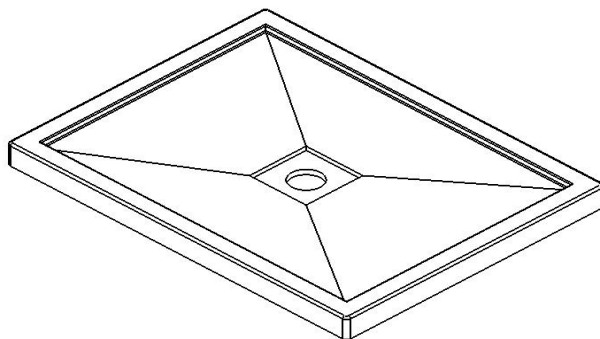
**slope at the floor of the shower may not be represented*



Specifications
Textured floor : no
Footrest : no
Characteristics :

Remarks
<i>*all measures have a precision of $\pm 1/4"$ (0,63cm)</i>
<i>*if a measure is present on one side only, part is symmetrical</i>

Options and installation



Available options
shower hood : <i>n/a</i>
shower door : PB142 PB24232

Additional note(s) :

Integrated tile flanges not shown. To be specified when ordering. Aluminium tile flanges can be supplied as an option.

IMPORTANT NOTE :

Specifications, dimensions and models are subject to change.
Visit our website <http://www.oceania-attitude.com> to access up-to-date dimensions and informations. In all cases, information on the website is the most up-to-date.

**default hardware and decorative lines positions are approximatives*