



## NUHEAT

# nVent NUHEAT Mat

## Shower Installation Instructions



### DESCRIPTION

---

These instructions are an addendum to the NUHEAT Mat Installation instructions included with each NUHEAT Mat.

NUHEAT Mat can be installed in wet environments such as showers, saunas and steam rooms. When installing NUHEAT Mats in wet environments the following precautions must be observed:

1. NUHEAT recommends using a separate NUHEAT Mat for the shower area.
2. NUHEAT Mats installed within wet environments cannot be repaired if damaged. The NUHEAT Mat must be replaced.

### APPROVALS

---



nVent NUHEAT Mats are UL approved for wet applications.

### **⚠ WARNING:**

This component is an electrical device. It must be installed correctly to ensure proper operation and to prevent shock or fire. Read and carefully follow these important installation instructions.

Consult with your construction contractor to ensure waterproof requirements are met as per local building code.

## STEP 1

Once the mortar bed has set, dry fit the NUHEAT Mat to verify its dimensions and ensure it fits the contours of the shower area.

Conduct insulation & resistance tests. Record readings in Mat Resistance Log found inside NUHEAT Mat Installation instructions.



## STEP 2

Prepare the acrylic/latex modified thinset. Using at least  $\frac{1}{4}$ " x  $\frac{1}{4}$ " square notched trowel, spread a coat of thinset over the mortar bed.

Place NUHEAT Mat onto the fresh thinset pressing firmly with grout float or lightweight roller. Create 100% contact between the heating mat, the thinset and the mortar bed. Press out any air bubbles or wrinkles. Ensure the slope of the mortar bed is maintained to direct water to the shower drain.

Allow the thinset mortar to set as per manufacturer's instructions.

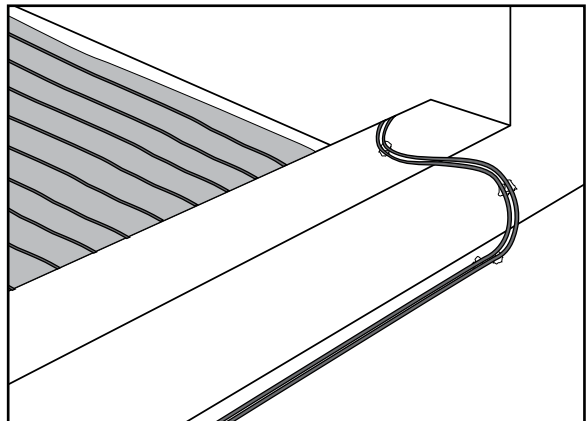
Conduct insulation & resistance tests. Record readings in Mat Resistance Log found inside NUHEAT Mat Installation instructions.



## STEP 3

Using hot glue, secure the cold lead to the mortar bed and over the shower curb. To minimize tension on the cold lead, use an "S" formation to bring the cold lead over the shower curb. Do not allow the tip of the hot glue gun to touch the cold lead as it may damage the NUHEAT Mat.

Route the supply leads to the junction box.



#### STEP 4

Install tile flooring as per tile manufacturer's instructions. Conduct insulation & resistance tests. Record readings in Mat Resistance Log found inside NUHEAT Mat Installation instructions.

**Note:**

Before activating NUHEAT, allow both the thinset mortar and grout to properly cure according to the manufacturer's instructions (usually 72 hours to one week).

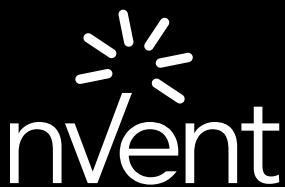


**North America**

Tel +1.800.778.9276

Fax +1.604.529.4404

res.customercare@nVent.com



**nVent.com**

©2019 nVent. All nVent marks and logos are owned or licensed by nVent Services GmbH or its affiliates. All other trademarks are the property of their respective owners. nVent reserves the right to change specifications without notice.

NUHEAT-IM-H85096-MatShowerInstallInst-EN-1906