

# DORRANCE

## Towel Ring 42-09

### Features

- Solid brass construction
- Single-post, horizontal pivot design with hanging, closed ring
- Complements Dorrance product series

### Codes / Standards Compliance

Meets or exceeds the following at date of manufacture:

- All applicable US Federal and State material regulations

### Colors / Finishes

- 10B: Oil Rubbed Bronze
- 15: Polished Nickel
- 15S: Satin Nickel - PVD
- 26: Polished Chrome
- Other: Refer to the Newport Brass catalog for additional color/finish options.



### Specified Model

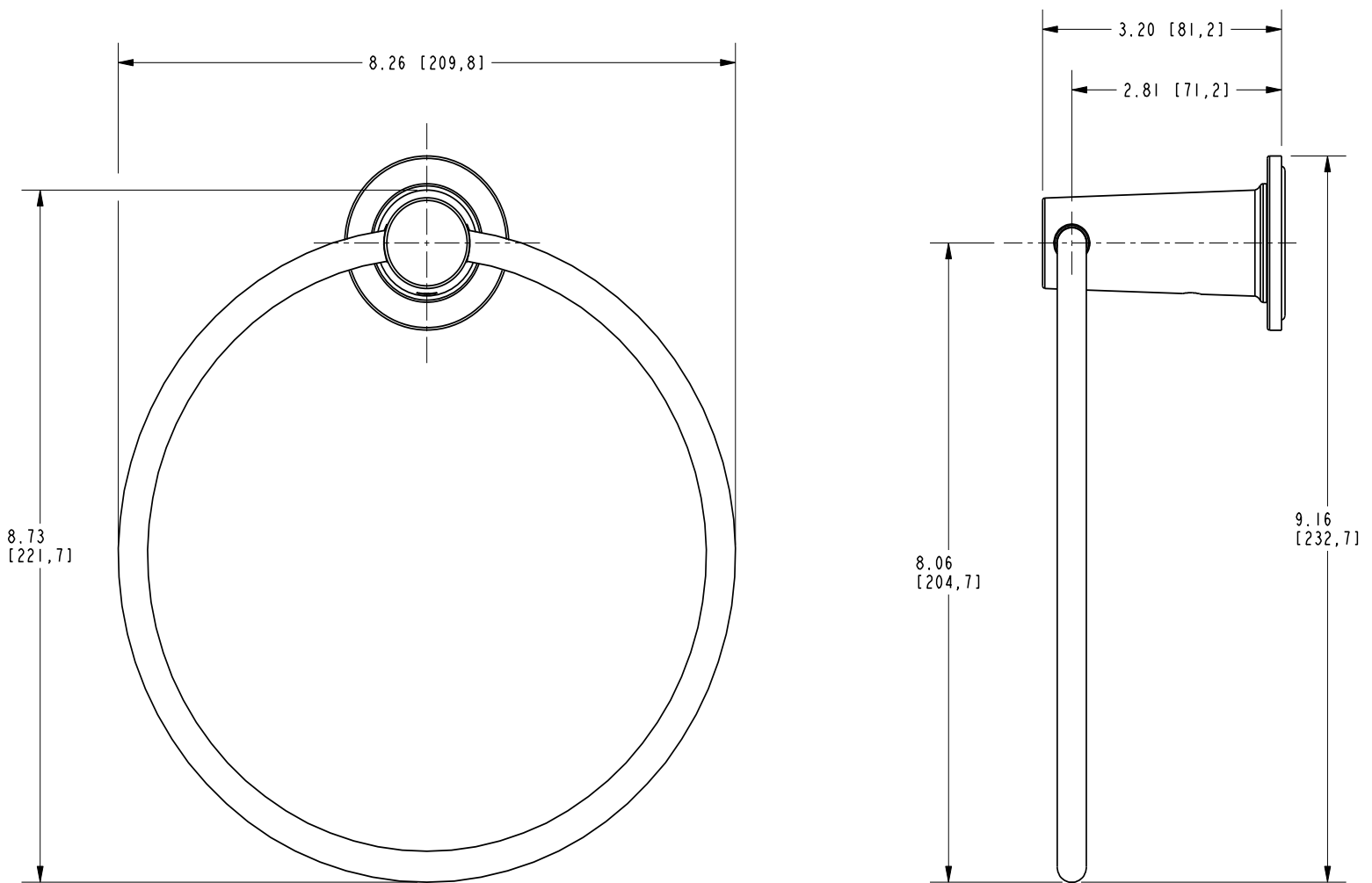
Model	Description	Colors   Finishes
42-09	Towel Ring	<input type="checkbox"/> 10B <input type="checkbox"/> 15 <input type="checkbox"/> 15S <input type="checkbox"/> 26 <input type="checkbox"/> Other

### Product Specification: Add "Color / Finish" suffix to Model number, below.

The Towel Ring shall be made of solid brass construction and incorporate a single-post, horizontal pivot design with hanging, closed ring. Towel Ring shall complement Newport Brass Dorrance product series. Towel Ring shall be Newport Brass Model 42-09/\_\_\_\_\_.

# 42-09

## PRODUCT DIMENSIONS *(Units are in inches)*



**Dorrance Towel Ring**  
**42-09**