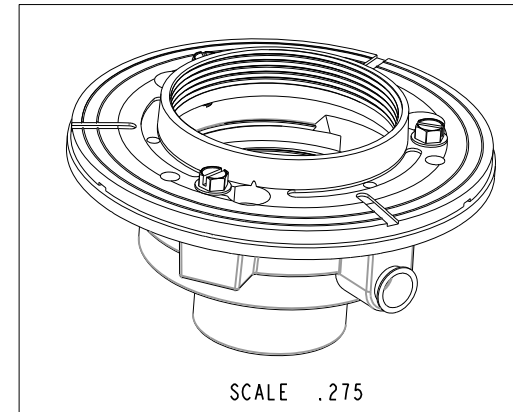
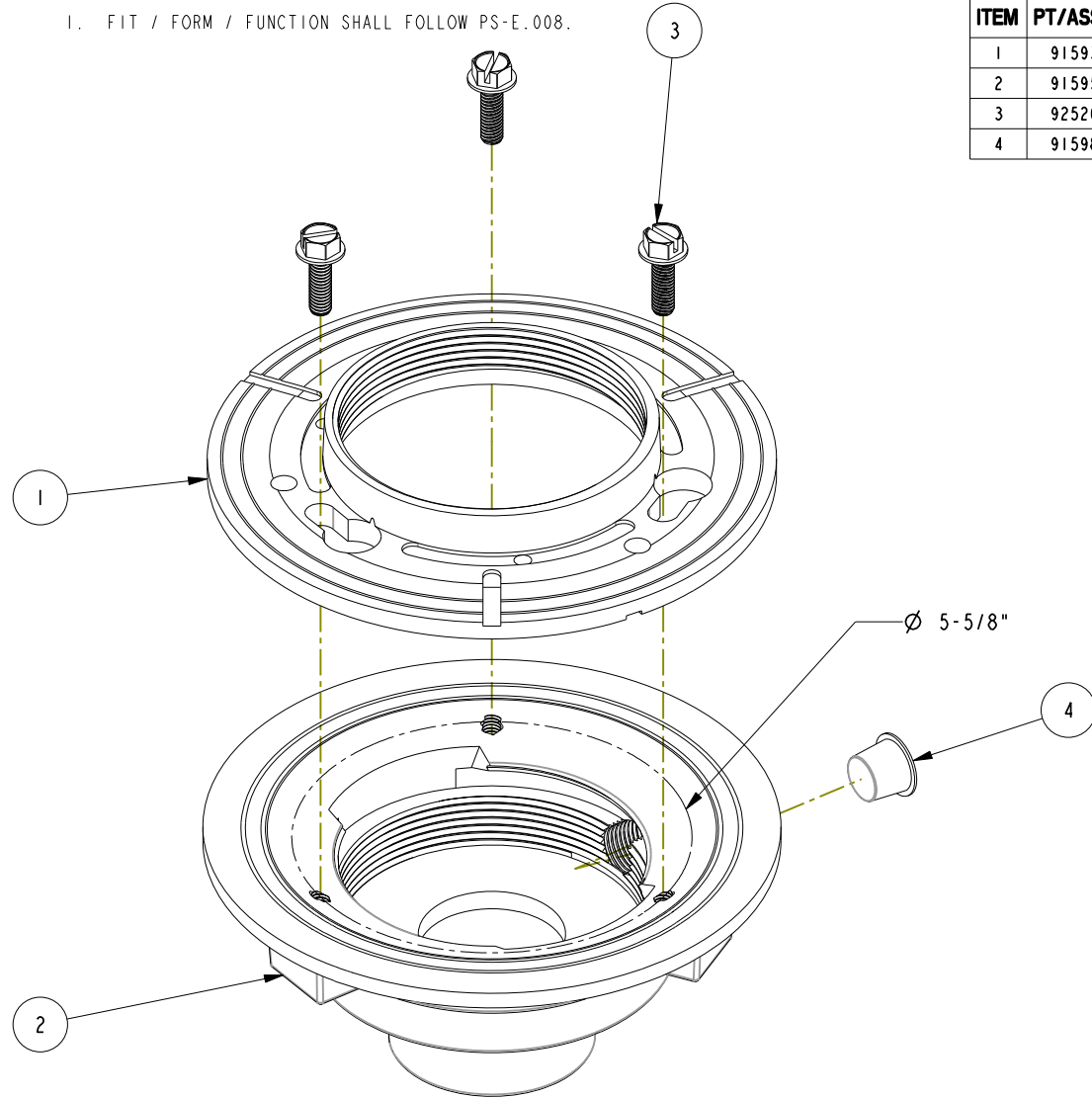


NOTES:

1. FIT / FORM / FUNCTION SHALL FOLLOW PS-E.008.

BILL OF MATERIAL (CURRENT LEVEL)

ITEM	PT/ASSY	DESCRIPTION	TYPE	QTY.
1	91593	WATTS FLOOR DRAIN COLLAR B3-XYC-60 (PVC WHITE)	PART	1
2	91595	WATTS FLOOR DRAIN HUB B3-61 (2" ABS BLACK)	PART	1
3	92520	SCRW, 5/16-18 X 1 SLT FLANGE HD 304/316 STAINLESS STEEL	PART	3
4	91598	TRAP PRIMER THREAD PROTECTING PLUG	PART	1



ZONE	REV	DESCRIPTION	DATE	APPROVED
B	EN-3668	7/26/18	J. A.	
A	EN-2196	6/18/12	-	
-	EN-1714	12/30/11	-	

COPYRIGHT 2005 BRASSTECH, INC. THESE DRAWINGS AND THE DESIGNS DEPICTED HEREIN ARE THE PROPRIETARY PROPERTY OF BRASSTECH. ANY USE OR REPRODUCTION IS SUBJECT TO THE EXPRESS APPROVAL OF BRASSTECH. UNAUTHORIZED USE IS STRICTLY PROHIBITED. ALL RIGHTS RESERVED.

TESTING	ASSEMBLY	PLATING	POLISHING	MACHINING	TOOLING FIXTURE #
-	-	-	-	-	
			NEXT ASSY	USED ON	
			APPLICATION		
			REMOVE ALL BURRS AND SHARP EDGES		

UNITS ARE: INCHES [MM]	
TOLERANCES ARE:	
FRACTIONS	DECIMALS
±1/16"	±.005
.X ±.1 (2,5)	±.01
.XX ±.06 (1,5)	±.005
(X.XXX) DENOTES CRITICAL DIMS. ALL THREADS ARE CRITICAL	
DRAWN	J. AMOZOC
CHECKED	V. VU
APPROVED	V. VU

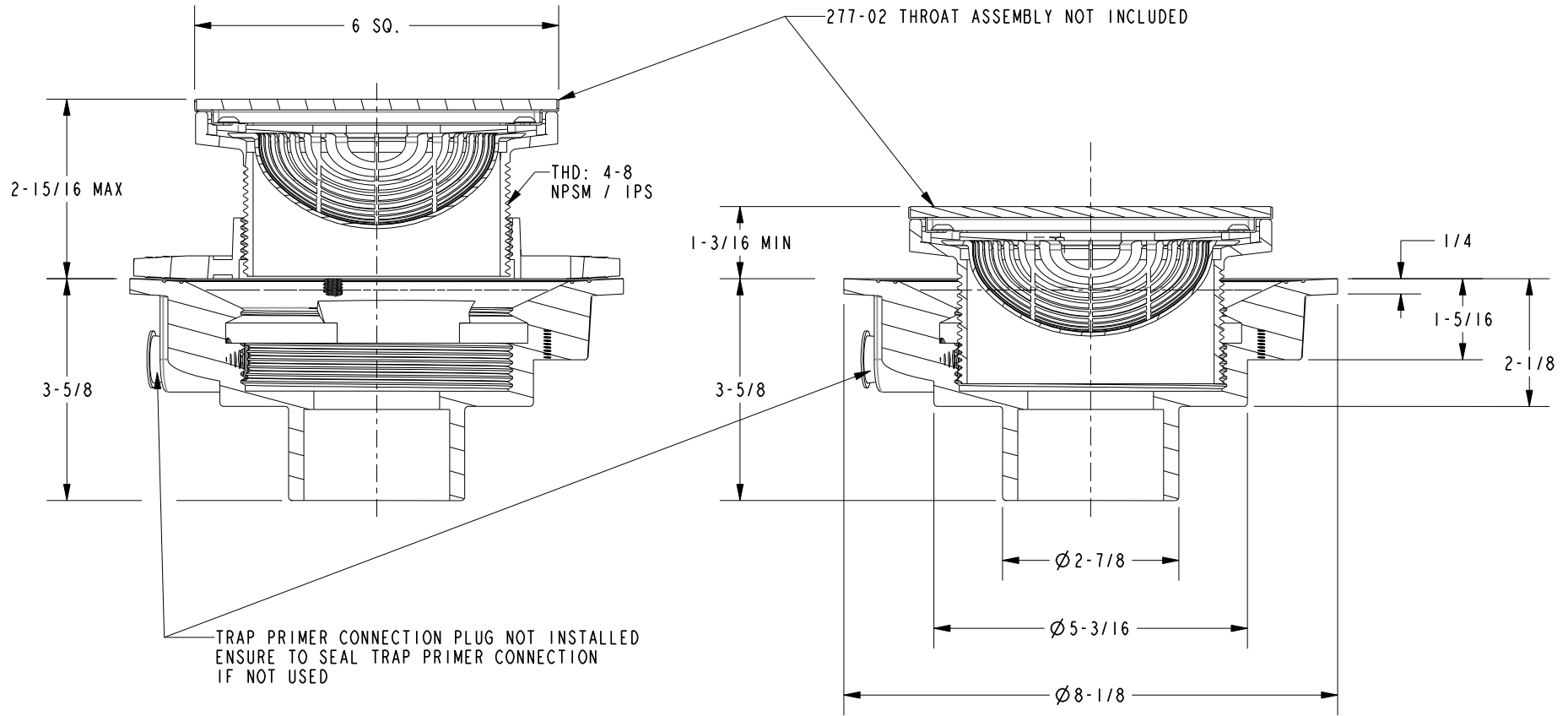
BRASSTECH 2001 CARNEGIE AVE. SANTA ANA, CA 92705 (949) 417-5207
INCORPORATED

FLOOR DRAIN BODY ASM

DWG NO. 278A-02

SCALE .375 REF. - SHEET | OF 3

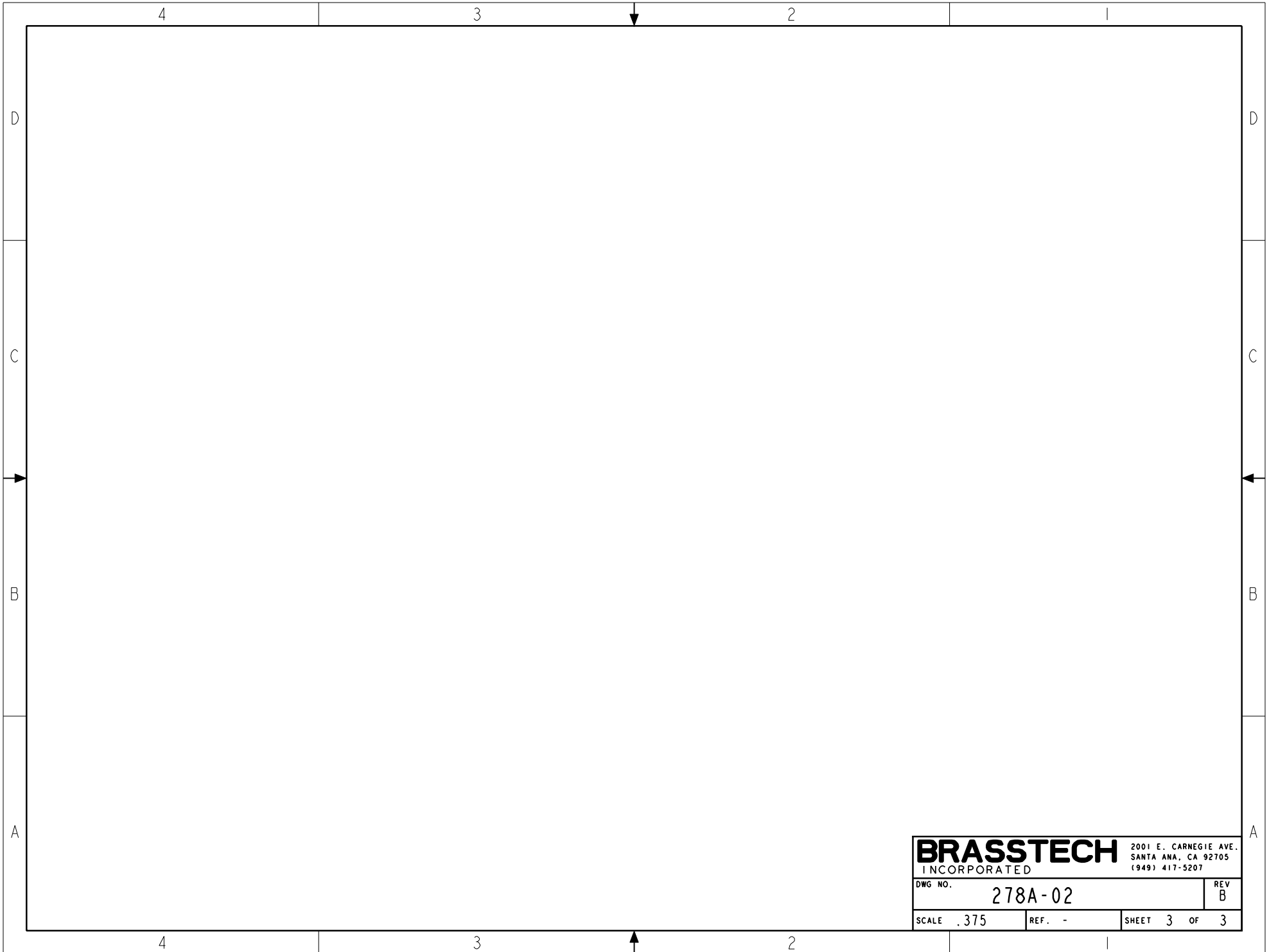
SPECIFICATION DWG



DIMENSIONS ARE IN INCHES AND AN APPROXIMATION OF A TYPICAL INSTALLATION

COPYRIGHT 2005 BRASSTECH, INC. THESE DRAWINGS AND THE DESIGNS DEPICTED HEREIN ARE THE PROPRIETARY PROPERTY OF BRASSTECH. ANY USE OR REPRODUCTION IS SUBJECT TO THE EXPRESS APPROVAL OF BRASSTECH. UNAUTHORIZED USE IS STRICTLY PROHIBITED. ALL RIGHTS RESERVED.

BRASSTECH		2001 CARNEGIE AVE. SANTA ANA, CA 92705 (949) 417-5207	
INCORPORATED			
DWG NO.	278A-02	REV B	
SCALE .375	REF. -	SHEET 2 OF 3	



BRASSTECH 2001 E. CARNEGIE AVE.
INCORPORATED SANTA ANA, CA 92705
(949) 417-5207

DWG NO.	278A-02	REV
		B

SCALE .375	REF. -	SHEET 3 OF 3
------------	--------	--------------