

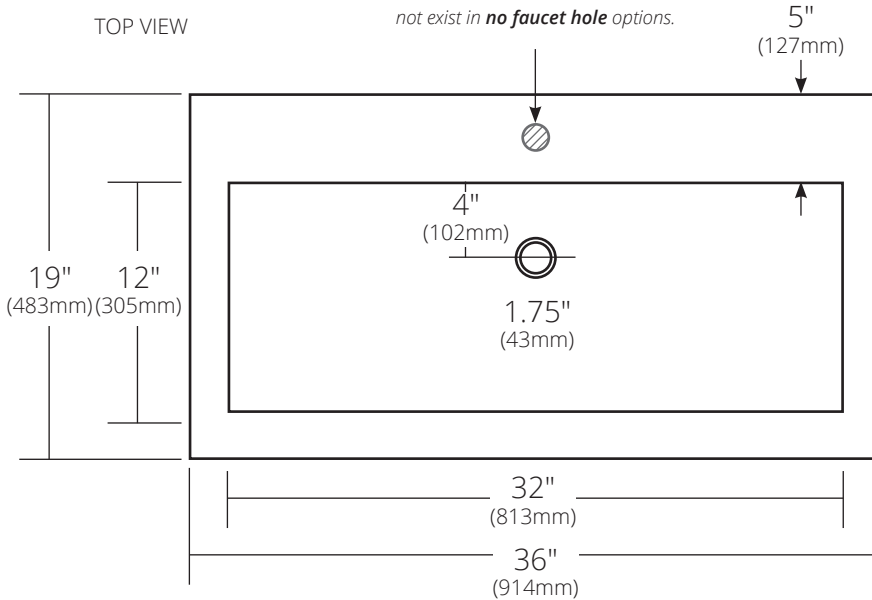
SPECIFICATIONS

TROUGH 3619

NativeStone® Collection



NOTE: This faucet hole does not exist in **no faucet hole** options.



Single Faucet Hole

NSL3619-A Ash
NSL3619-C Charcoal
NSL3619-E Earth
NSL3619-O Ocean
NSL3619-P Pearl
NSL3619-S Slate

No Faucet Hole

NSL3619-AX Ash
NSL3619-CX Charcoal
NSL3619-EX Earth
NSL3619-OX Ocean
NSL3619-PX Pearl
NSL3619-SX Slate

PRODUCT DETAILS

- 36" x 19" x 5.5" OD (914mm x 483mm x 140mm)
- 32" x 12" x 4.75" ID (813mm x 305mm x 121mm)
- 1.75" (43mm) drain opening
- Handcrafted from sustainable NativeStone
- Sealed with NativeStone Shield™

INSTALLATION

- Drop-In

COORDINATING PRODUCTS

- Drains: DR120, DR130 or DR150
- 48" Vanity Top with Large Trough Cutout
- Note: Total deck thickness is 3.25" with sink and top; choose faucet accordingly

STANDARDS COMPLIANCE

- UPC/cUPC compliant
- **ADA COMPLIANT**

IMPORTANT

Do NOT use tape or other adhesives on NativeStone as it may remove the sealer.

Due to the handcrafted nature of this product, it will vary in finish, texture, hammering, and other details. Dimensions may vary up to 1/4" (6mm). We strongly recommend waiting for the actual product before making any installation cuts.

