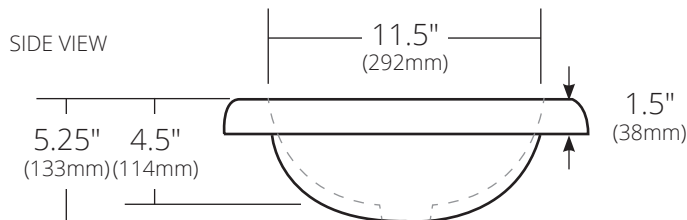
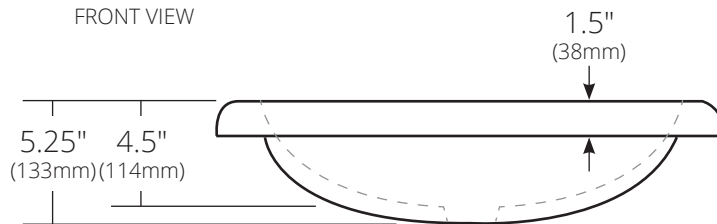
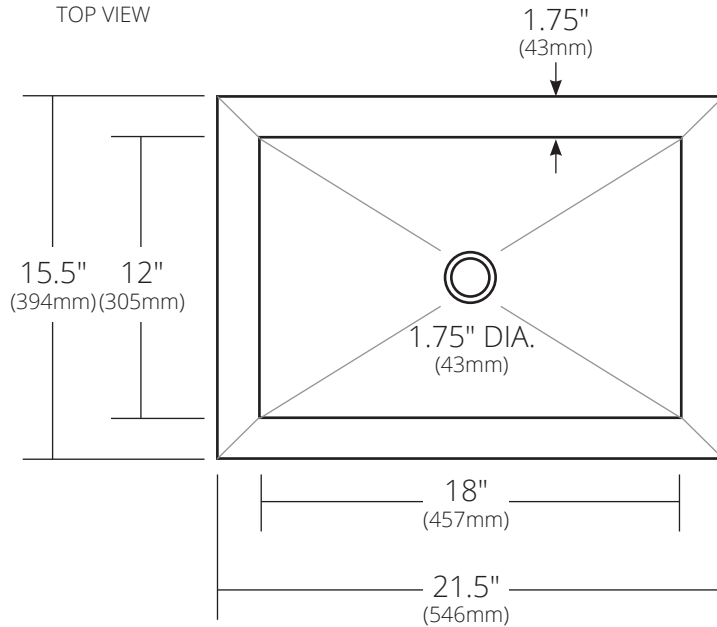


## SPECIFICATIONS

# MONTECITO

NativeStone® Collection



NSL2216-A Ash  
 NSL2216-C Charcoal  
 NSL2216-E Earth  
 NSL2216-P Pearl  
 NSL2216-S Slate

### PRODUCT DETAILS

- 21.5" x 15.5" x 5.25" OD (546mm x 394mm x 133mm)
- 18" x 12" x 4.5" ID (457mm x 305mm x 114mm)
- 1.75" (43mm) drain opening
- Handcrafted from sustainable NativeStone
- Sealed with NativeStone Shield™

### INSTALLATION

- Drop-In

### COORDINATING PRODUCTS

- Drains: DR120, DR130 or DR150

### STANDARDS COMPLIANCE

- UPC/cUPC compliant
- **ADA**  
COMPLIANT

### IMPORTANT

Do NOT use tape or other adhesives on NativeStone as it may remove the sealer.

Due to the handcrafted nature of this product, it will vary in finish, texture, and other details. Dimensions may vary up to ¼" (6mm). We strongly recommend waiting for the actual product before making any installation cuts.