

## Features

- Solid brass rough-in valve included.
- 9" rain shower head.
- 2-way concealed diverter (2 water outlets).
- Pressure balance cartridge.
- Ceramic disc technology.
- 1/2" NPT inlets and outlets (compatible with US plumbing connections)

## Installation

- Wall mounted installation.

## Included Pieces

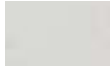
- 16" shower arm with flange. (Remer 343-40US-CR)
- 9" rain shower head. (Remer 35323)
- 2-way shower diverter with rough-in valve. (Remer N09US-CR)
- Tub spout. (Remer 91M-CR)



## Nameek's One-Year Limited Warranty

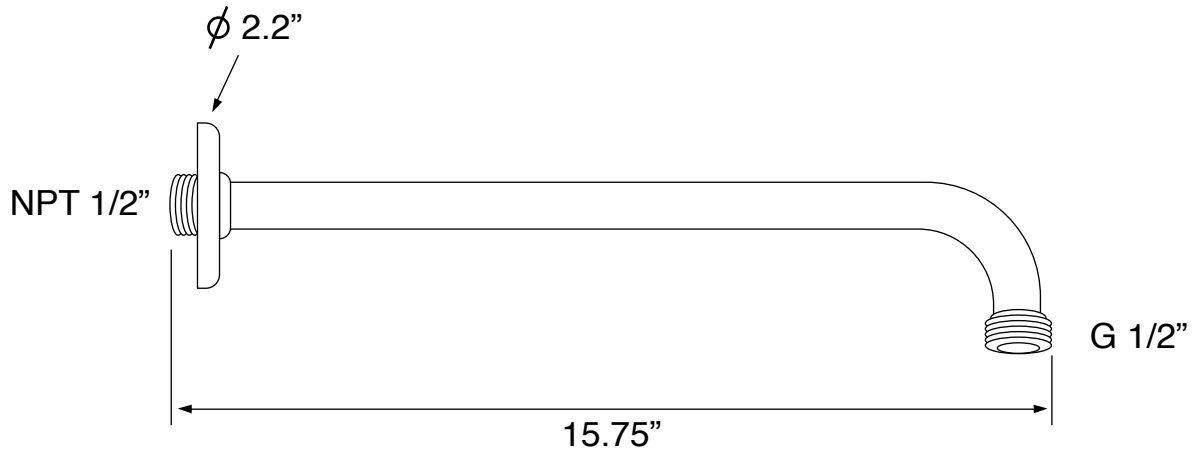
See website for warranty information details.

## Color/Finish Details

Color	Code	Description
	CR	Polished Chrome

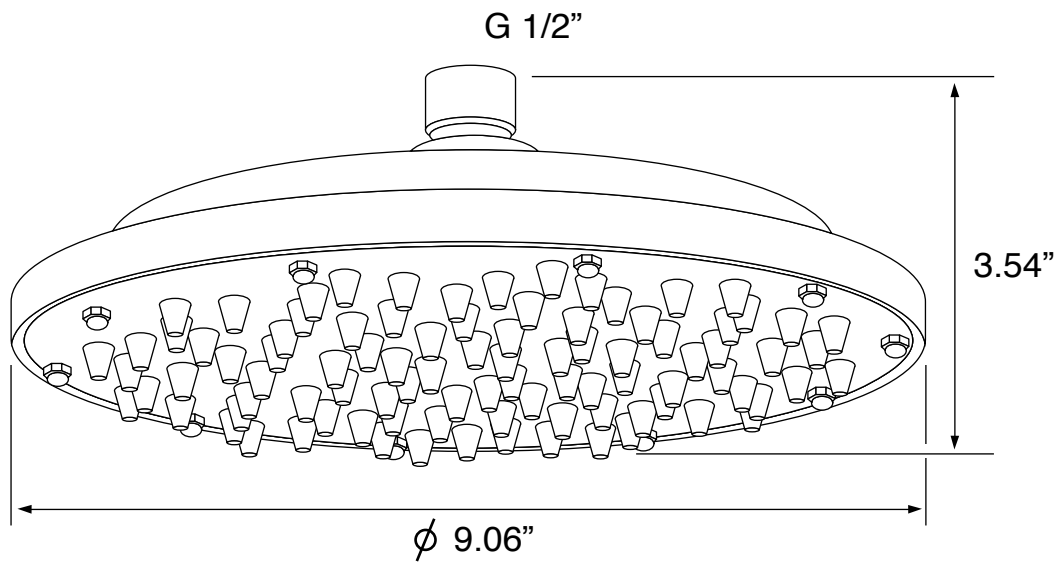
## Shower Arm

Remer 343-40US-CR



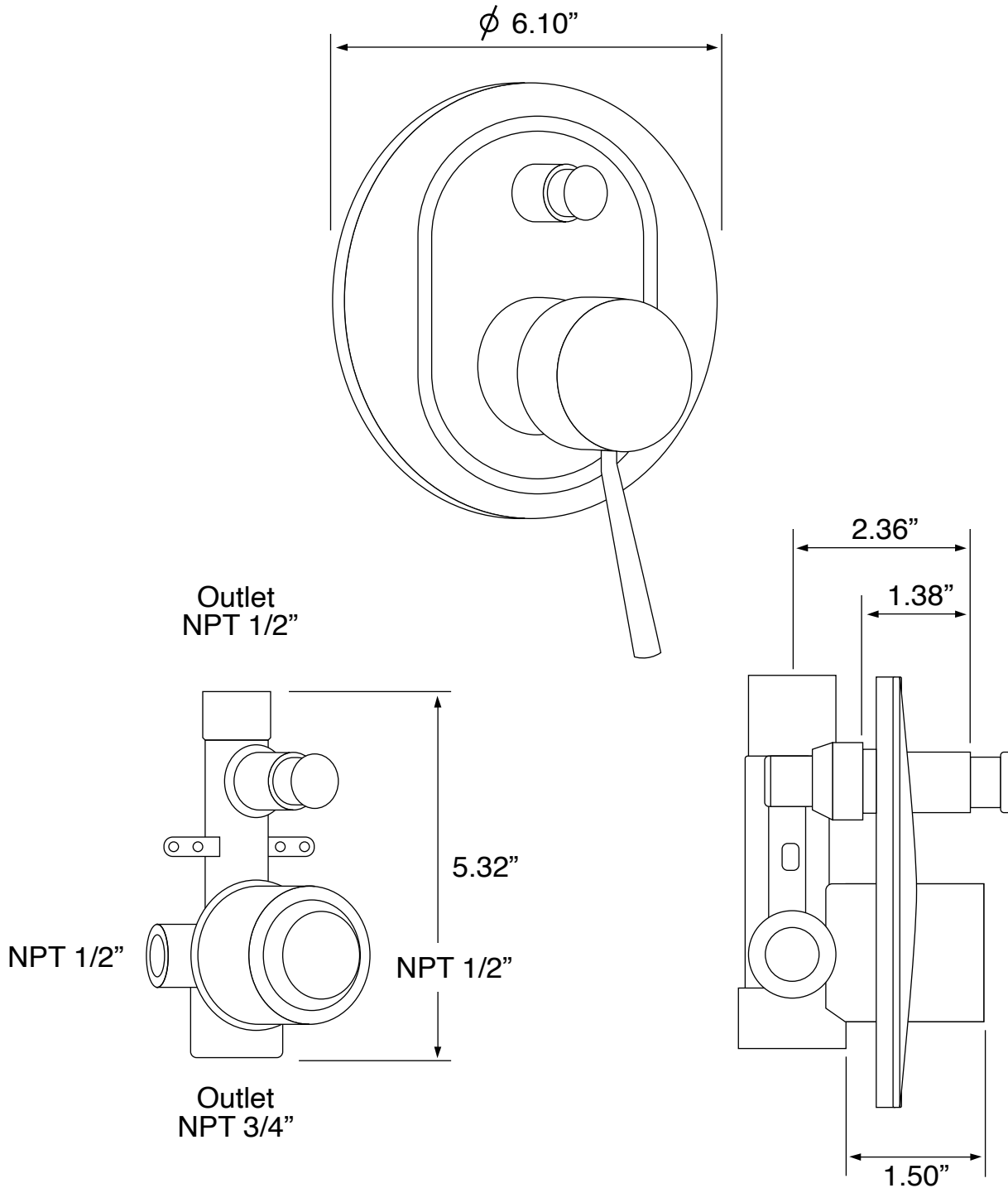
## Rain Shower Head

Remer 35323



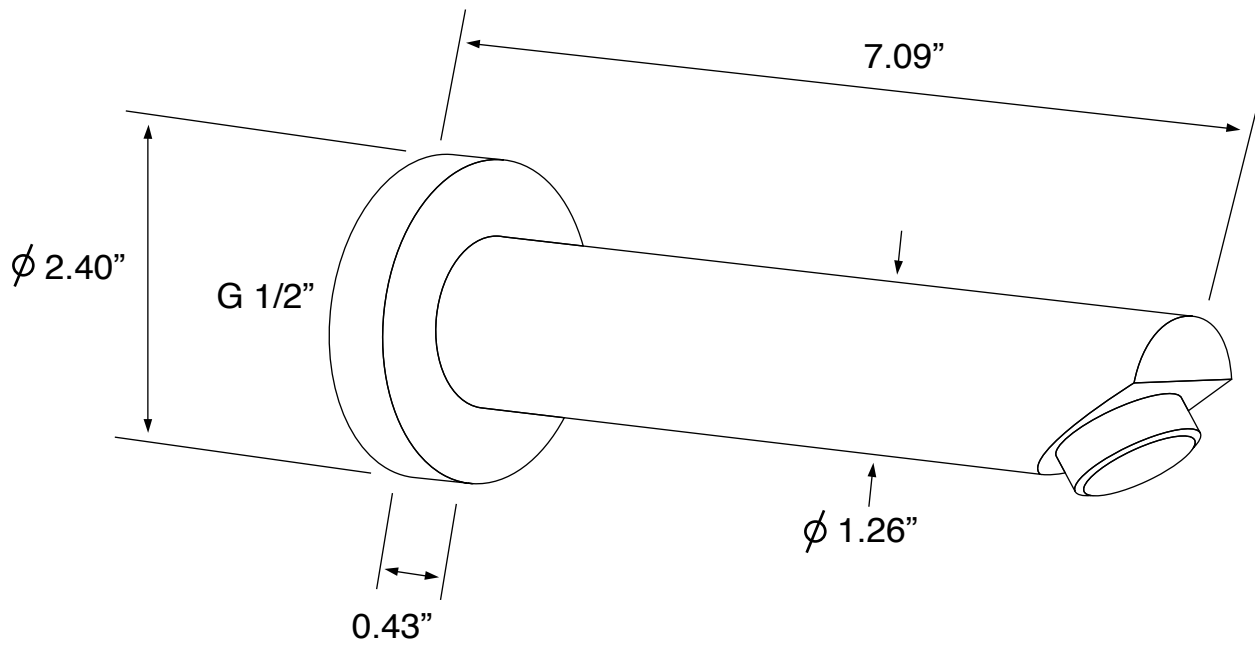
## Shower Valve (Trim + Rough-in Valve)

Remer N09-CR



## Tub Spout

Remer 91M-CR



## Technical Information

Shower head size:	9.06"
Shower head type:	Rain
Pivoting shower head:	Yes
Shower arm length:	15.75"
Rough-in included:	Yes
Material:	Brass
Cartridge type:	Pressure balance Ceramic disc technology

## Notes

This item is recommended to be installed by a licensed plumber or professional only. Please ensure to observe all local and building code requirements. Shut off water supply prior to installation.

Includes mounting hardware.