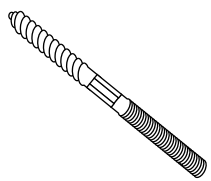


Following these mounting instructions with the hardware included will be more than sufficient to support vanity installation.

Included Sink Installation Hardware



x2 Hanger Bolts (8mm)



x2 Washer



x2 Wall Anchor

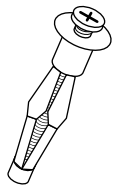


x2 Insulation Sleeve

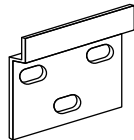


x2 Nuts

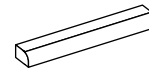
Vanity Installation Hardware



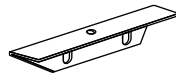
x8 Expansion Anchor Bolts



x2 Mounting Bracket



x4 Handle

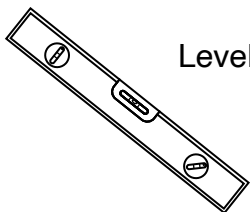


x1 Bottom Mounting Bracket

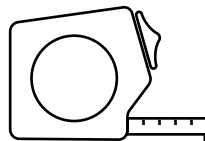


x8 Screw

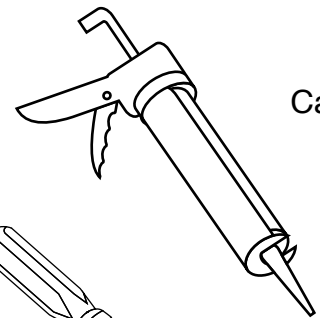
Tools You May Need



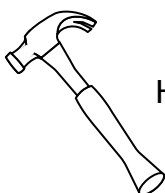
Level



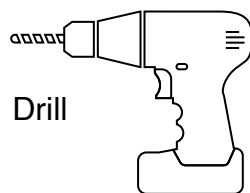
Tape Measure



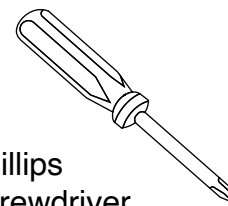
Caulk



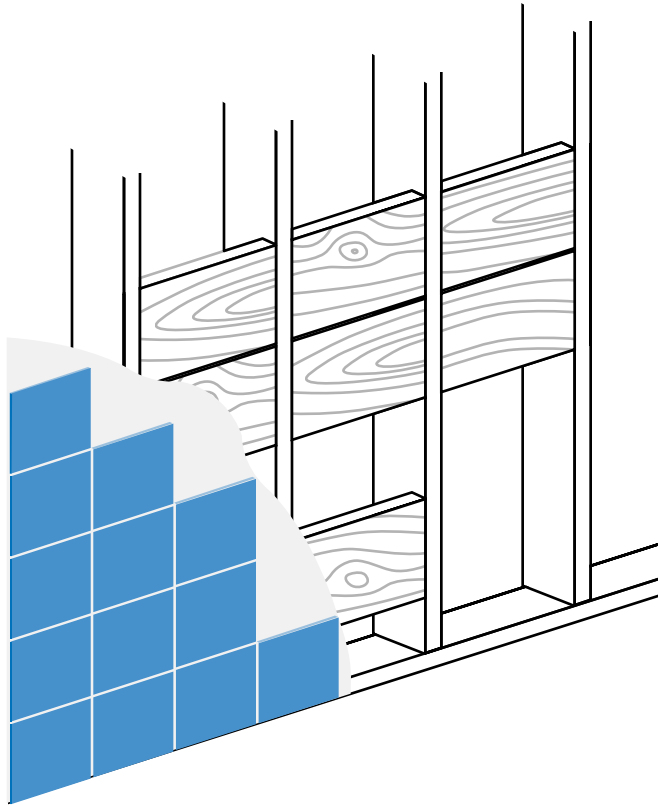
Hammer



Drill



Phillips Screwdriver

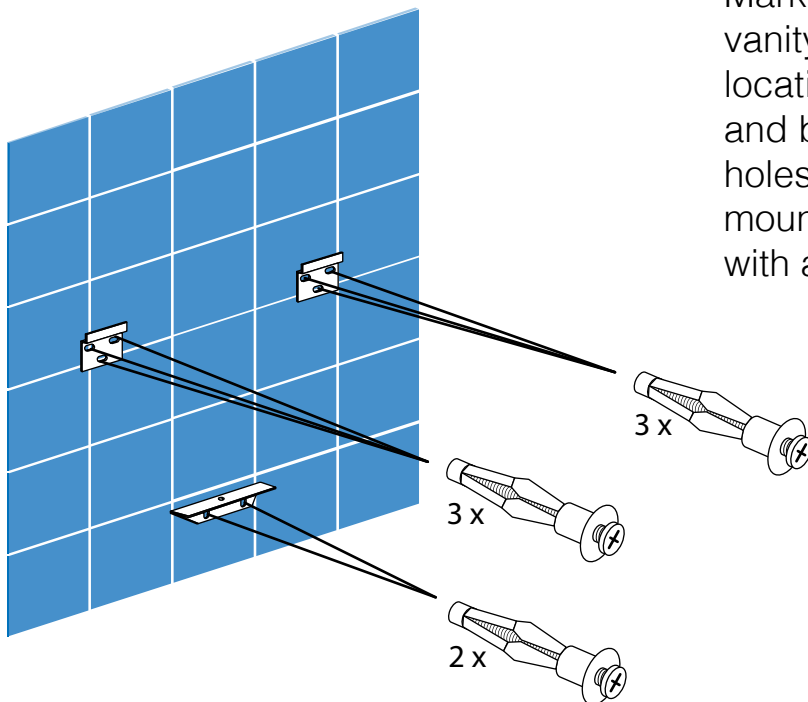


1. Prepare Location

Locate studs in the wall. If the studs do not line up with the holes in the back of the sink and vanity, be sure to add sufficient wall supports behind the finished wall.

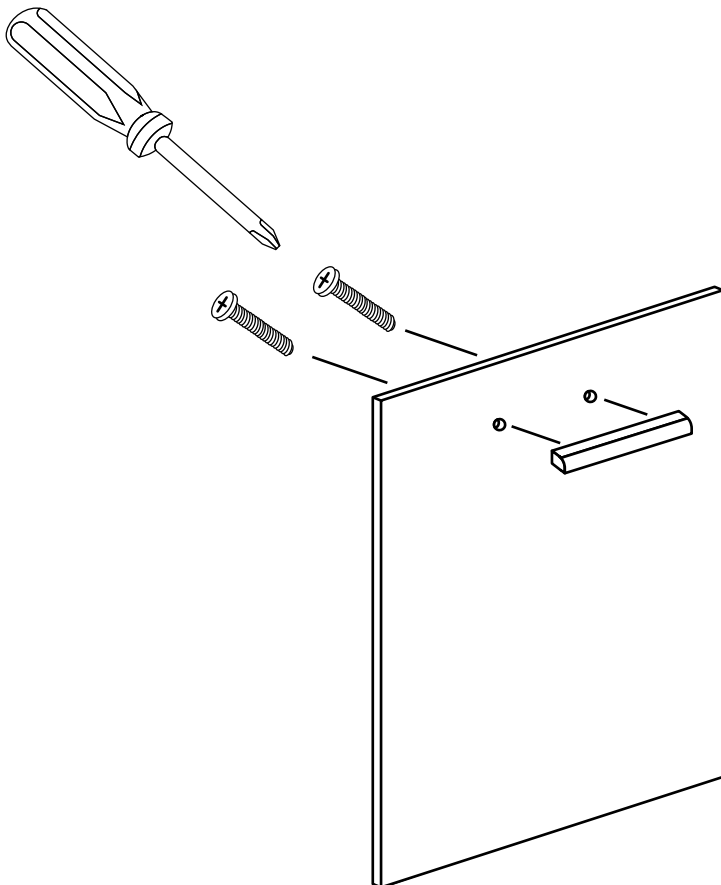
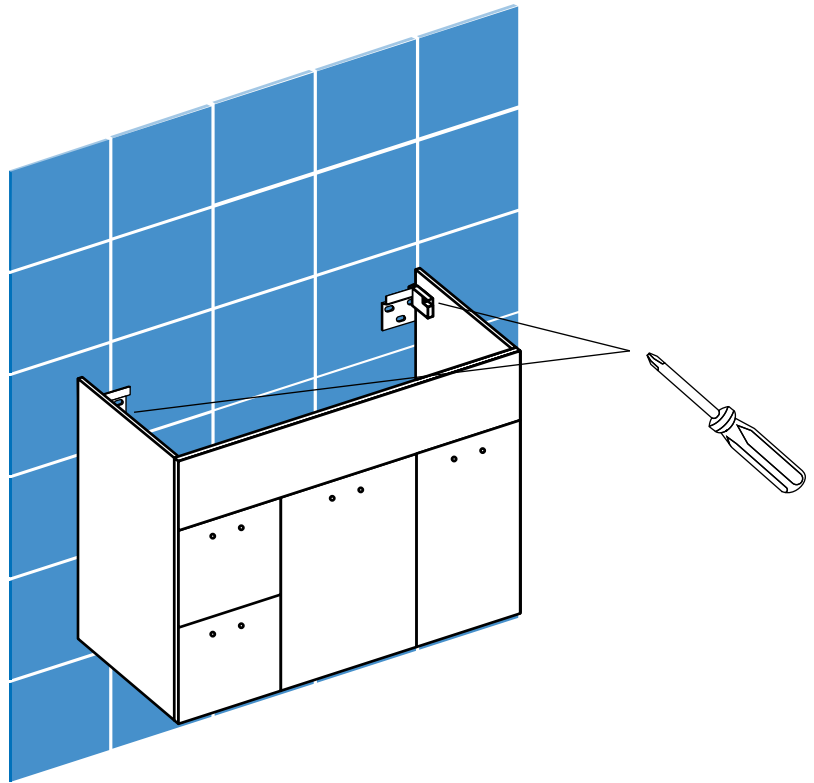
2. Mount Vanity Brackets

Mark the desired height of the vanity on the wall. Mark the location of the mounting brackets and bottom of the vanity. Drill pilot holes and install the three (3) mounting brackets. Check position with a level.



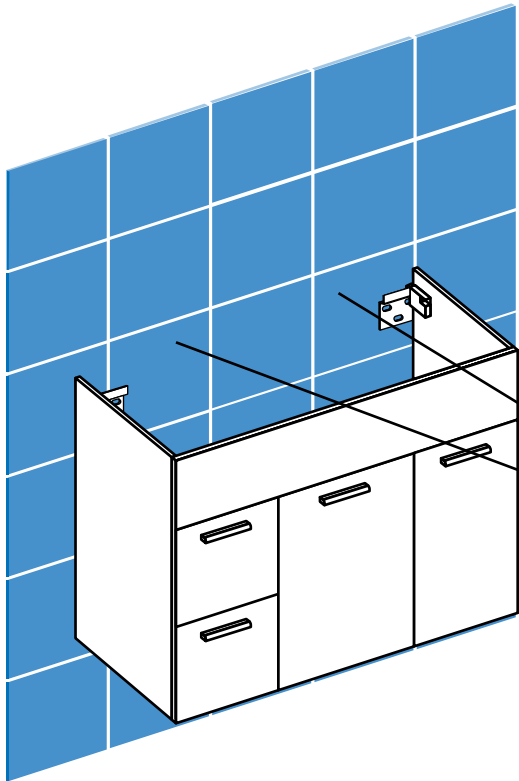
3. Install Vanity Base

Hang vanity base on mounting brackets. Use a phillips head screwdriver for adjustments and tightening.



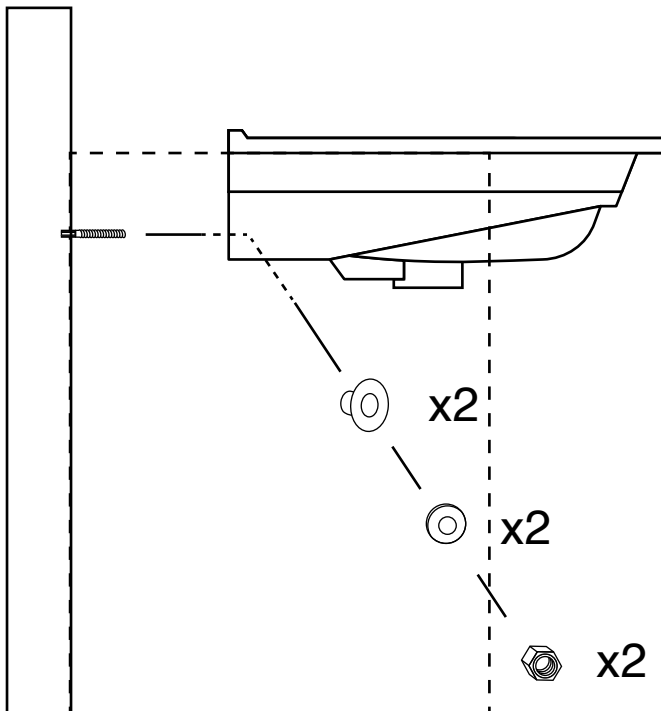
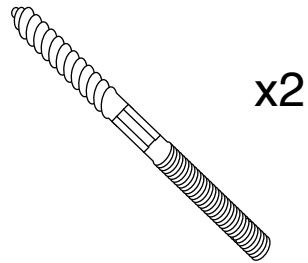
4. Attach Vanity Handles

Use a phillips head screwdriver to attach handles to vanity doors and drawers.



5. Install Hanger Bolts

Measure the distance between mounting holes in the back of the sink. Drill pilot holes and screw in hanger bolts. Check the position with a level.

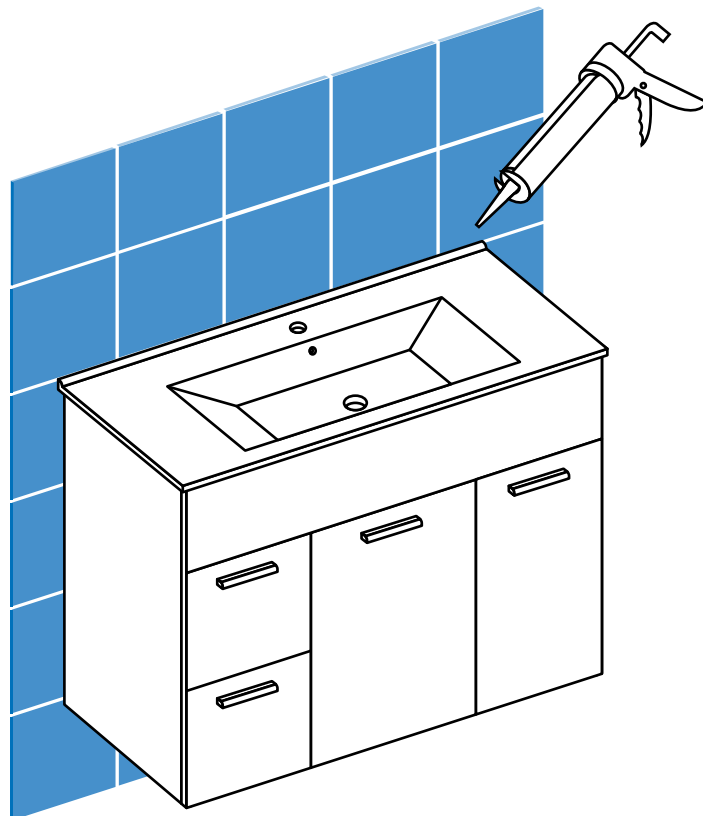


6. Mount Sink With Washers and Nuts

Thread the sink on to the two hanger bolts. Secure the sink with insulation sleeves, washers and nuts. Be careful not to over tighten the bolts. Over tightening can cause the sink to chip and crack.

7. Install Caulk

Finish the sink installation with a bead of caulk between the sink and wall.



8. Vanity Accessories

Complete your installation by adding the preferred plumbing accessories, such as the faucet, click clack drain, p-trap and angle valves to your vanity.

