

MT493BL-NL

LAVATORY SUPPLY KIT WITH MINI LEVER HANDLE VALVE



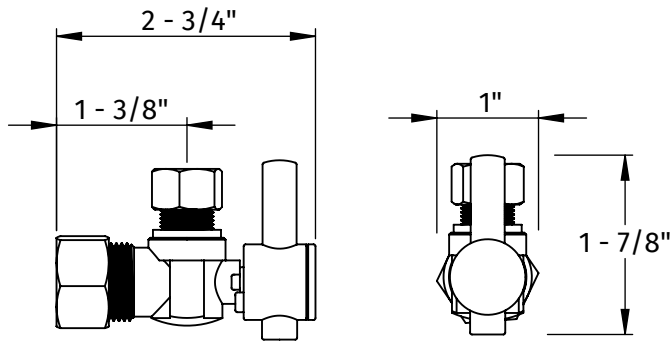
A McAlpine Company

Mountain

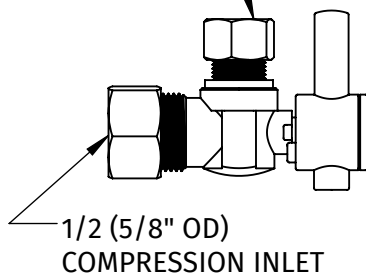
Plumbing Products

SPECIFICATION SHEET

- TWO LEAD FREE cUPC CERTIFIED MT521-NL BALL VALVES
- 1/2" (5/8" OD) COMPRESSION INLET
- 3/8" OD COMPRESSION OUTLET
- TWO MT432X LEAD FREE SUPPLY TUBES
- TWO MT441X SURE GRIP WALL ESCUTCHEONS
- OFFERED IN STANDARD DECORATIVE FINISHES
- SPECIAL FINISHES AVAILABLE UPON REQUEST

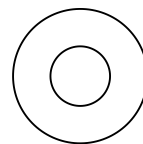
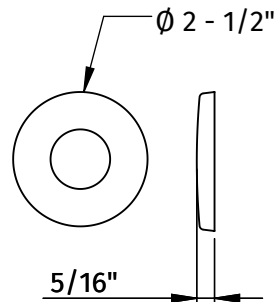


3/8" OD COMPRESSION
OUTLET

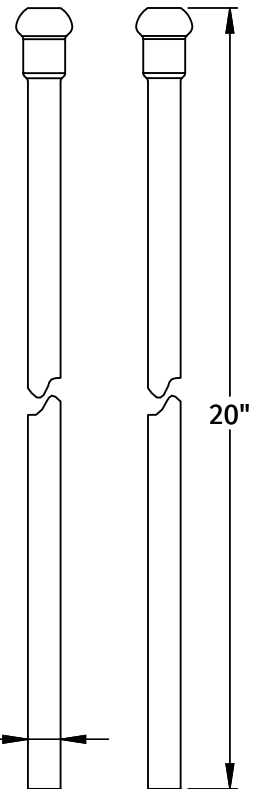


1/2 (5/8" OD)
COMPRESSION INLET

MT521-NL



$\phi 3/8''$



MT441X

MT432X

WARRANTY

FOR WARRANTY INFO PLEASE VISIT WWW.MOUNTAINPLUMBING.COM/PAGE/RESOURCES/WARRANTY

FINISH CARE & MAINTENANCE

NEVER USE ANY HARSH ALKALI, ACID BASED DETERGENTS OR CLEANERS SUCH AS SOFT SCRUB®, SCRUBBING BUBBLES® OR COMET® TO CLEAN. DO NOT USE BRILLO® OR SCOTCH BRITE® PADS. THESE WILL ALL HARM THE FINISH. TO CLEAN, USE ONLY A DAMP SOFT CLOTH AND WIPE GENTLY. STANDARD WINDEX® CAN ALSO BE USED SPARINGLY. IT IS NOT NECESSARY TO WIPE HARD TO REMOVE SPOTS. TO MAINTAIN THE FINISH, WIPE WITH A SOFT DRY CLOTH AFTER USE. AN OCCASIONAL COAT OF PURE CARNAUBA WAX WITHOUT CLEANERS WILL HELP PROTECT THE FINISH.

SPECIFICATIONS SUBJECT TO CHANGE WITHOUT NOTICE