

# Mikah™ Technical Specification

## 24" Double Towel Bar

Y0722

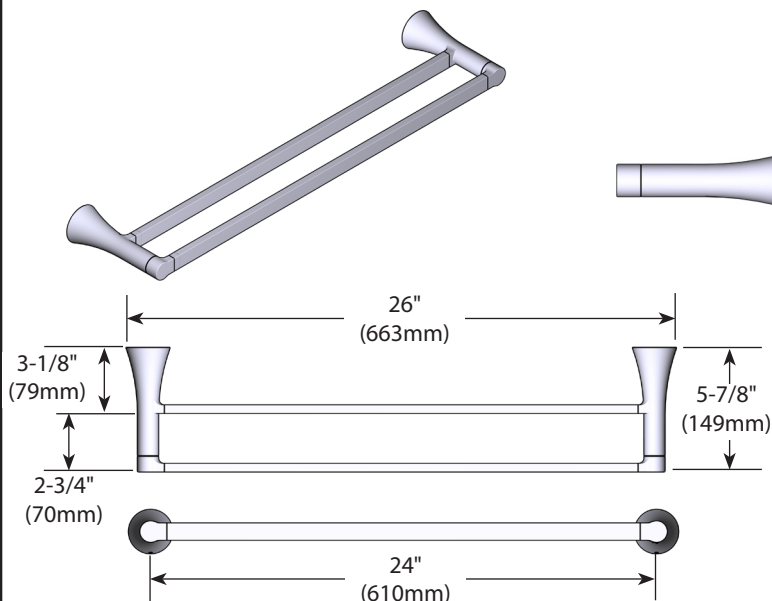
### Stock Numbers:

- Y0722BN – 24" Double Towel Bar  
Brushed Nickel
- Y0722BL – 24" Double Towel Bar  
Matte Black

### Materials:

Towel Bar is constructed of zinc.

### Dimensions:



### Installation Instructions:

Tools Required: Phillips screwdriver, drill, 5/16" drill bit, hammer, level, tape  
Hardware Kit Contents: 4 dry wall anchors, 4 wood/anchor screws, 1 plastic pin, 1 hex wrench.  
Note: Directions below are for installation into drywall. If installing product into a stud, use the wood screws only.

For Drywall Installation follow the below steps:

1. Position the mounting template on the wall in the desired location.
2. Using a level, align the template and tape it to the wall.
3. Drill four 5/16" holes at each mounting post location for plastic toggle anchors that corresponds to your product.
4. Remove the template from the wall.
5. Fold ends of the plastic toggle together and insert into each hole in the wall.
6. One at a time, insert plastic pin into each of the anchors and lightly tap to activate anchor. Remove pin and repeat on all anchors.
7. One at a time, place each mounting plate over anchors (with arrow pointing up) and insert screws through post into anchors.
8. Tighten screws.
- 9) Assemble decorative product if necessary and place over mounting post(s) with setscrew(s) facing down.
- 10) Tighten setscrew(s)

### Cleaning Instructions:

To preserve the fine finish of this product, clean only with a soft damp cloth. Dry well. Do not use commercial or abrasive cleaners.

**Stock Number:** Y0722 24" Double Towel Bar

25300 AL MOEN DRIVE • NORTH OLMSTED, OH 44070  
CORPORATE HEADQUARTERS: (800) 321-8809 • FAX: (800) 848-6636  
INTERNATIONAL: (440) 962-2000 • FAX: (440) 962-2726  
CUSTOMER SERVICE (USA): 800-882-0116 • FAX: (888) 379-2720  
WWW.MOEN.COM

© 2021 Moen Incorporated. Moen is a registered trademark and Mikah is a trademark of Moen Incorporated. All rights reserved.

**MOEN**®

MOEN  
2021