

Aspen Technical Specification

Toothbrush & Soap Holders

5834 & 5836

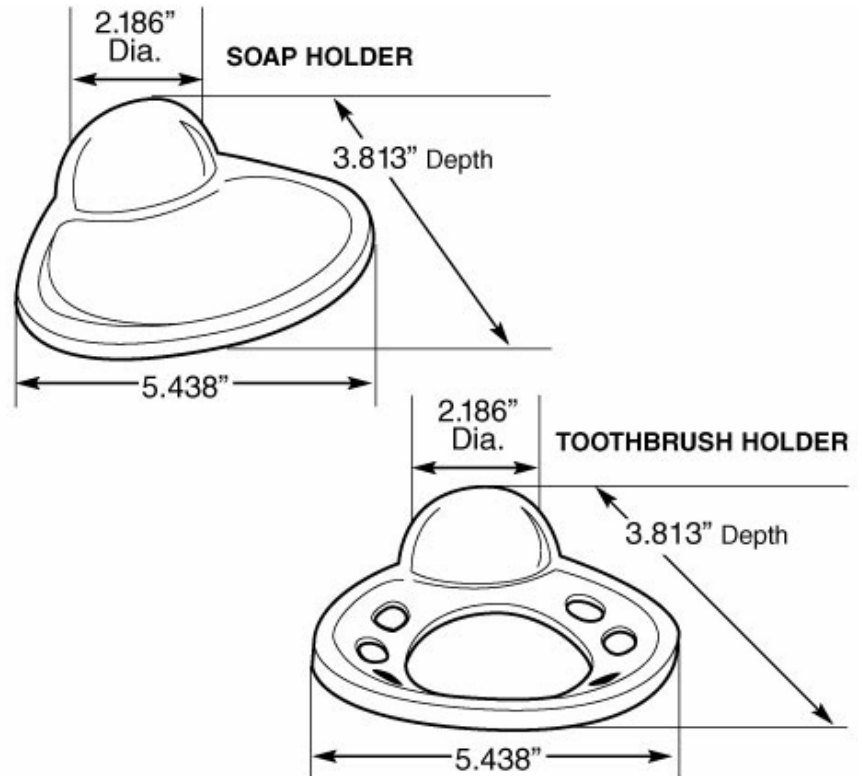
Stock Numbers:

- q **5834PB – Toothbrush Holder**
Polished Brass Finish,
Concealed Screw Mounting.
- q **5834CH – Toothbrush Holder**
Polished Chrome Finish,
Concealed Screw Mounting.
- q **5834W – Toothbrush Holder**
White Finish,
Concealed Screw Mounting.
- q **5836PB – Soap Holder**
Polished Brass Finish,
Concealed Screw Mounting.
- q **5836CH – Soap Holder**
Polished Chrome Finish,
Concealed Screw Mounting.
- q **5836W – Soap Holder**
White Finish,
Concealed Screw Mounting.

Materials:

Toothbrush and Soap Holders are die cast from highest quality zinc alloy (zamac). Castings are triple plated with a polished brass, polished chrome or a powder coated white finish.

Dimensions:



Installation Instructions:

1. Position the mounting plate on the wall at desired location with "UP" facing you.
2. One at a time, place each anchor screw through the mounting plate, centered in each large hole. Using a Phillips screwdriver, turn the anchor screw while applying pressure. Screw will self drill and tap into drywall. Do not over tighten.
3. Place assembly over the mounting post, setscrew facing down.
4. Tighten setscrew.

Cleaning Instructions:

To preserve the fine finish of this product, clean only with a soft damp cloth. Dry well. Do not use commercial or abrasive cleaners.

Stock Number: _____ **Soap & Tumbler**
By CSI Bath Furnishings



25300 AL MOEN DRIVE • NORTH OLMSTED, OH 44070 (800) 321-8809 •
FAX: (800) 848-6636 • INTERNATIONAL: (440) 962-2000 •
FAX: (440) 962-2726 CUSTOMER SERVICE (USA): 800-882-0116
©Copyright CSI Bath Furnishing Division of Moen 02/22/01

Literature #BA0968