

# KALLISTA® Per Se® Freestanding Soft Square Bath

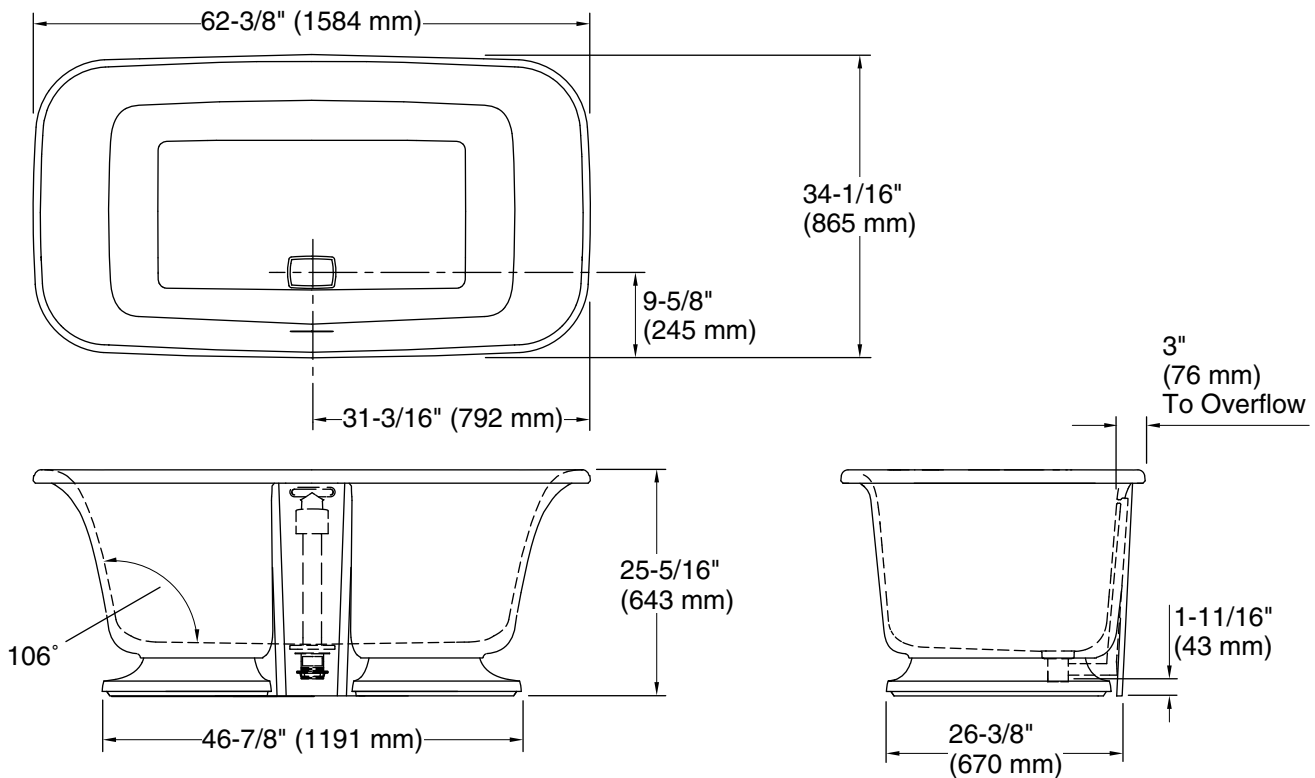
## FEATURES

- Constructed of durable cast stone material
- Soft square shape complements many modern and transitional settings
- Generous 62-3/8" (1584 mm) x 34-1/16" (865 mm) size with center side drain
- Brass toe tap drain with material-matched cover
- Slotted overflow for deep soaking experience
- Features integrated drain and overflow
- Complements the Per Se collection

## CODES/STANDARDS APPLICABLE

- Specified model meets or exceeds the following:
- CSA B45.5/IAPMO Z124

P50060



## PRODUCT INFORMATION

Fixture*:	Top Area	Basin Area	Weight
Bathing Well	60-9/16" (1539mm) x 32-5/16" (820mm)	44-5/16" (1126 mm) x 24-3/16" (614 mm)	474 lbs (215 kg)
To Overflow	Water Depth	Capacity	
	16-1/2" (419 mm)	78.3 gal (296.2 l)	

\*Approximate measurements for comparison only.

## SPECIFIED MODEL

Model	Description	Finishes		
P50060-00	Per Se Freestanding Soft Square Bath, includes drain and cover	<input type="checkbox"/> 0 Stucco White		
Recommended Accessories				
P24408-00	One Floor-Mount Bath Filler	<input type="checkbox"/> CP Polished Chrome	<input type="checkbox"/> AG Brushed Nickel	<input type="checkbox"/> ULB Unlacquered Brass
		<input type="checkbox"/> AD Nickel Silver	<input type="checkbox"/> GN Gunmetal	
P24843-00	One Wand Dual-Function Handshower	<input type="checkbox"/> CP Polished Chrome	<input type="checkbox"/> AG Brushed Nickel	<input type="checkbox"/> ULB Unlacquered Brass
		<input type="checkbox"/> AD Nickel Silver	<input type="checkbox"/> GN Gunmetal	

We reserve the right to make revisions without notice in the design of products or in packaging unless this right has specifically been waived at the time the order is accepted.