

FEATURES

- Solid metal construction for durability and reliability
- Two-handle, widespread lavatory faucet for 8" (203 mm) - 16" (406 mm) centers
- Quarter-turn washerless ceramic disc valves
- 1.2 gal/min (4.5 l/min) maximum flow rate
- Includes Soft Touch drain
- Thin, slender form
- Meets CalGreen requirements for bathroom sink faucets
- Complements the Per Se collection

CODES/STANDARDS APPLICABLE

Specified model meets or exceeds the following:

- ADA
- ASME A112.18.1/CSA B125.1
- ICC/ANSI A117.1
- CSA B651
- OBC
- NSF 61
- EPA WaterSense®
- All applicable US Federal and State material regulations

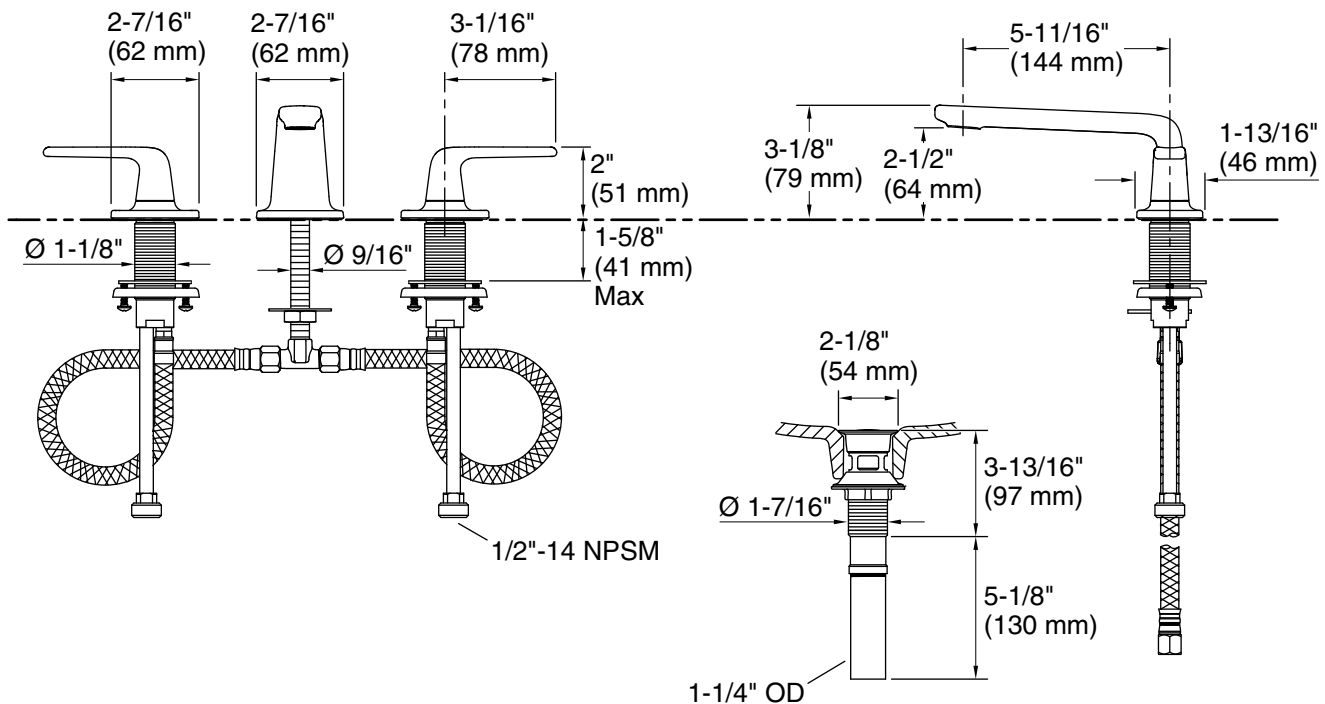
ADA

CSA B651

OBC



P24700



1-1/4" OD
Soft Touch Drain

INSTALLATION NOTES

Mounting surface hole size. All dimensions are nominal.		
Spout	Ø 5/8" (16 mm)	
Handles	Ø 1-5/16" (33 mm)	
Deck Thickness	Min	Max
Spout	--	2-1/2" (64 mm)
Handles	--	1-5/8" (41 mm)

SPECIFIED MODEL

Model	Description	Finishes				
P24700-LV	Per Se Basin Set, Lever Handles	<input type="checkbox"/> CP Polished Chrome	<input type="checkbox"/> AD Nickel Silver	<input type="checkbox"/> AG Brushed Nickel	<input type="checkbox"/> W7 Black Nickel	<input type="checkbox"/> 24K Polished Gold

We reserve the right to make revisions without notice in the design of products or in packaging unless this right has specifically been waived at the time the order is accepted.