
INSTALLATION INSTRUCTIONS

P24406-LV
P24735-LV

INSTALLATION INSTRUCTIONS

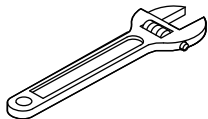
THANK YOU FOR CHOOSING KALLISTA

We appreciate your commitment to KALLISTA quality products. Please take a moment to review this manual before you install your KALLISTA product. If you encounter any installation or performance problems, please do not hesitate to contact us at the phone number listed at the bottom of the page.

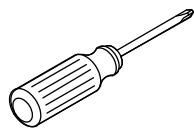
IMPORTANT INFORMATION

- The appearance of your product may differ from the illustrations shown in these instructions. The installation procedure is the same.
- Prior to installation, unpack the new faucet and inspect it for damage. Return the faucet to its protective carton until you are ready to install it.
- Observe all local plumbing and building codes.
- Shut off the water supply.
- Carefully inspect waste and supply tubing for any sign of damage.
- Replace waste or supply tubing if necessary.
- If possible, assemble the faucet to the lavatory before installing the lavatory.
- For new installations, install the faucet before installing the bidet.
- KALLISTA reserves the right to make revisions in the design of products without notice, as specified in the Price Book.

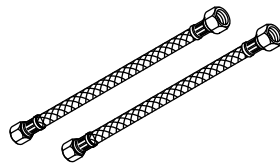
TOOLS AND MATERIALS



Adjustable
Wrench



Phillips
Screwdriver



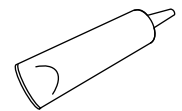
Supply
Hoses



Thread
Sealant



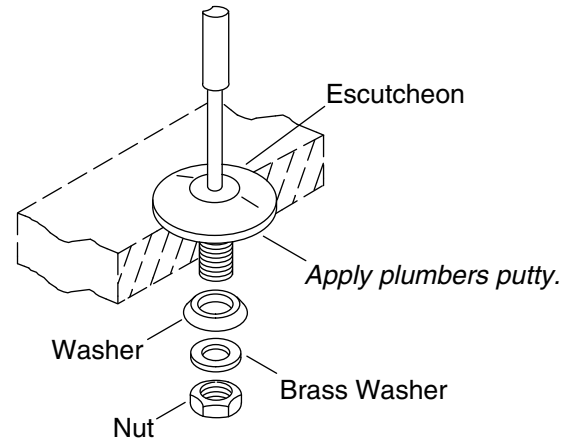
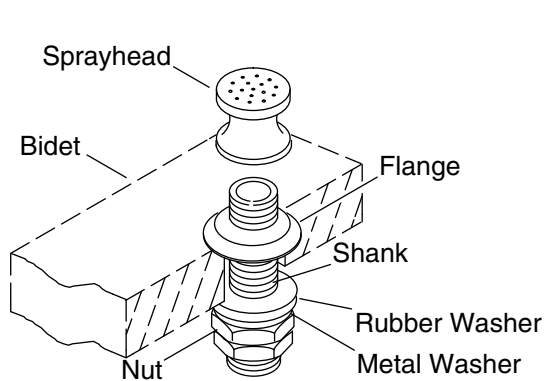
Plumbers
Putty



Silicone
Sealant

INSTALLATION INSTRUCTIONS

1. SPRAY ASSEMBLY INSTALLATION

**Install the Sprayhead**

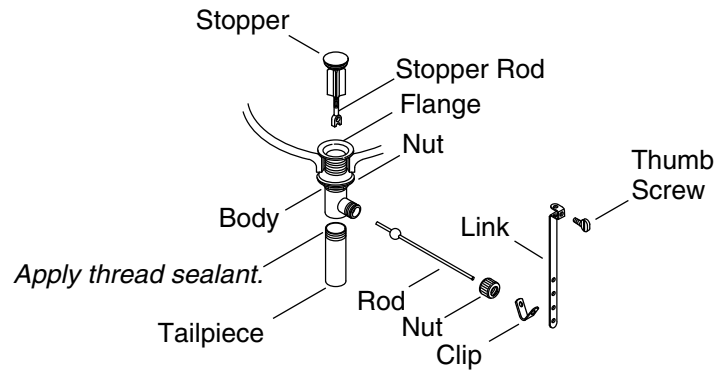
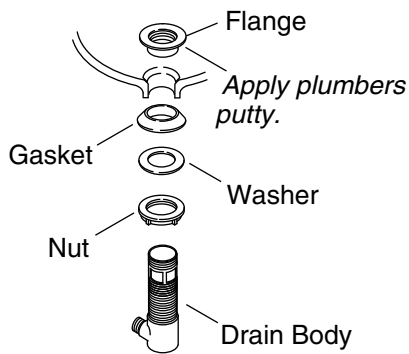
- Remove the sprayhead and flange.
- Thread the nut, metal washer, and rubber washer to the bottom of the shank.
- Apply a ring of plumbers putty or other sealant according to the putty manufacturer's instructions.
- From the underside of the bidet, insert the shank through the spray hole.
- From the top of the bidet, thread the flange onto the shank.
- Securely thread the sprayhead as far as it will go on to the shank.
- Thread the flange until it is snug against the sprayhead.
- Securely tighten the nut onto the shank with a wrench. Do not overtighten.
- Remove any excess putty or sealant.

Install the Lift Rod Escutcheon

- Apply a bead of plumbers putty or other sealant to the underside of the escutcheon according to the putty manufacturer's instructions.
- Insert the escutcheon through the mounting hole from above.
- From the underside of the bidet, slide the washer (tapered side up), brass washer, and nut onto the escutcheon shank.
- Securely tighten the nut with a wrench. Do not overtighten.
- Remove any excess putty or sealant.

INSTALLATION INSTRUCTIONS

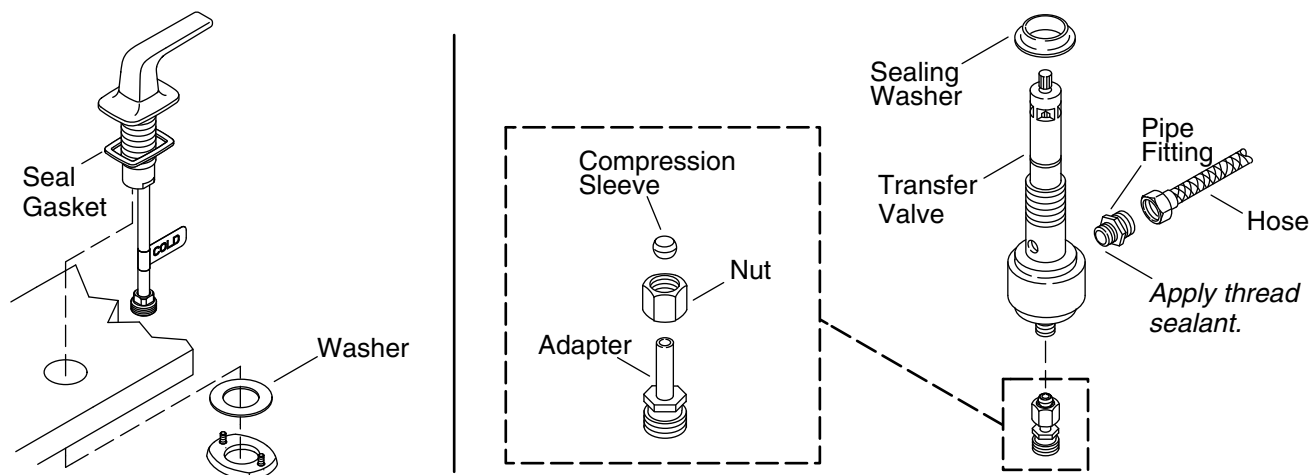
2. INSTALL THE DRAIN



- Remove the protective cover from the flange.
- Apply a ring of plumbers putty or other sealant to the underside of the flange according to the putty manufacturer's instructions.
- Assemble the nut, flat washer, and tapered gasket (tapered side up) fully onto the body.
- From the underside of the fixture, insert the drain body up into the drain hole.
- From the top of the fixture, securely hand tighten the flange onto the drain body.
- Make sure the drain body seal hole is facing the back of the fixture, and securely tighten the nut.
- Remove any excess putty or sealant.
- Insert the stopper into the flange.
- For regular installations, insert the short end of the rod into the body seal hole and under the stopper. For vandal-resistant installations, fit the rod through the hole in the stopper. Hand tighten the body nut.
- Remove and adjust the stopper as needed so it lifts about 3/8" (10 mm) when opened. To adjust, rotate the threaded stopper rod in or out as needed. Retighten the stopper nut.
- Apply thread sealant tape to the tailpiece threads, and thread the tailpiece to the body. Tighten the tailpiece securely.
- Slide one end of the clip on to the rod. Slide the link onto the rod with the thumb screw facing the back of the fixture.

INSTALLATION INSTRUCTIONS

3. HANDLE AND BREAKER INSTALLATION



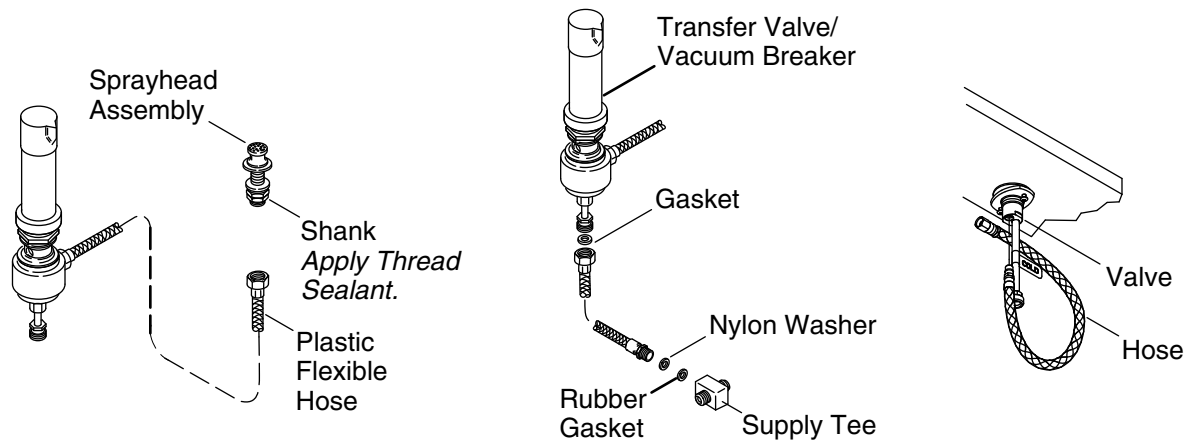
- Ensure that the seal gasket or O-ring is installed to the underside of the cold handle assembly.
- Fit the valve assembly through the top of the lavatory. (Cold on the right side, hot on the left side.)
- Partially thread the screws into the ring.
- Install the washer and ring onto the valve assembly. Thread the ring up the valve assembly.
- Orient the handle with the faucet.
- Tighten the screws. **Do not overtighten.** Repeat with the second handle.

Valve/Breaker Installation

- Slide the nut and compression sleeve onto the adapter.
- Apply thread sealant onto the bottom threads of the adapter. Thread the adapter onto the bottom of the transfer valve shank. Securely tighten the nut.
- Apply thread sealant onto the short end threads of the pipe fitting. Thread the pipe fitting onto the side of the transfer valve shank.
- Apply thread sealant onto the long end threads of the pipe fitting. Thread the flexible hose onto the pipe fitting.
- Slide the sealing washer (tapered side up) onto the transfer valve.
- From the underside of the bidet, insert the transfer valve into the mounting hole.
- From the front of the bidet, rotate the transfer valve until the pipe fitting faces toward the right.
- From the top of the bidet, slide a sealing washer (tapered side down), flat washer, and plastic nut onto the transfer valve. Securely hand tighten the plastic nut.
- From the front of the bidet, rotate the valve stem counterclockwise. Slide the spline insert onto the valve stem.
- Thread the escutcheon onto the plastic nut.
- Rotate the handle until the pointer faces the front of the bidet. Press the handle onto the spline insert.

INSTALLATION INSTRUCTIONS

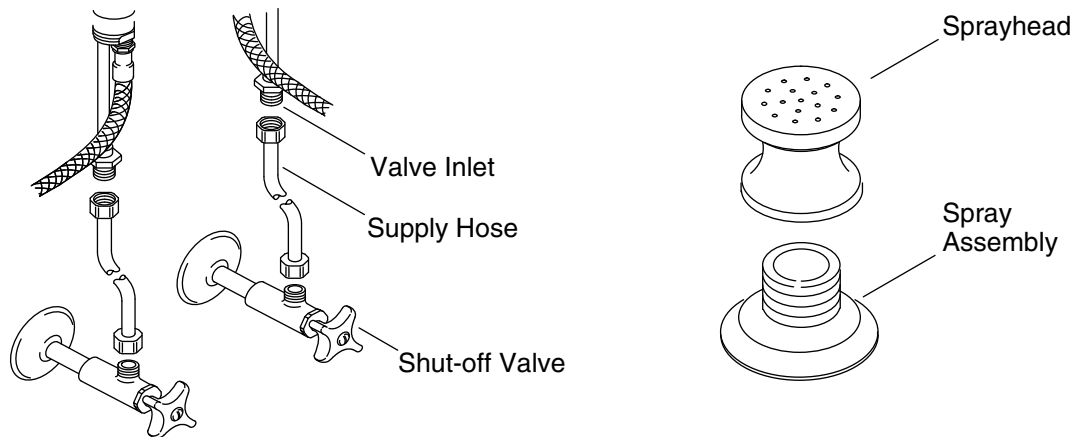
4. HOSE INSTALLATION



- Apply thread sealant onto the threads of the spray shank. Connect the flexible hose from the transfer valve onto the spray shank. Connect the supply hoses (not provided) to the supply stops (left is hot; right is cold).
- Connect the supply hoses to the supply tee via the threaded fittings.
- Insert a rubber gasket and nylon washer into the supply tee outlet.
- Thread a flexible hose into the supply tee outlet.
- Slide the gasket onto the transfer valve/vacuum breaker shank.
- Connect the flexible hose from the supply tee outlet onto the transfer valve/vacuum breaker shank.

INSTALLATION INSTRUCTIONS

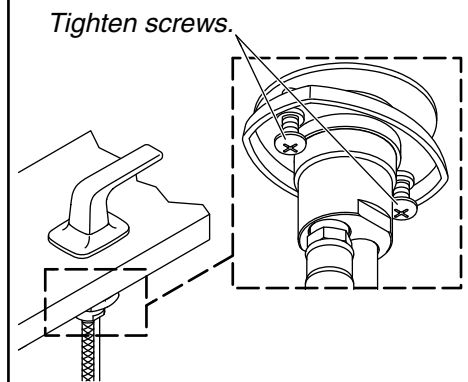
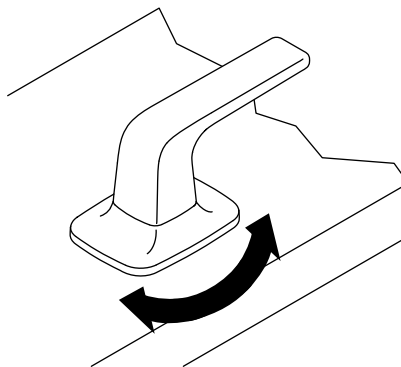
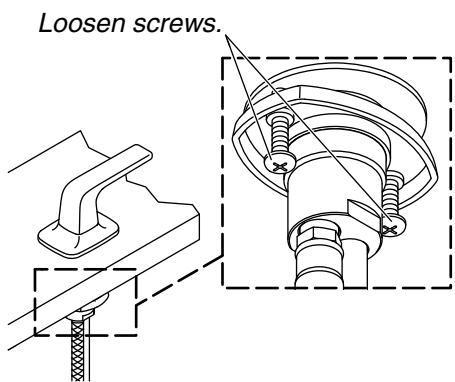
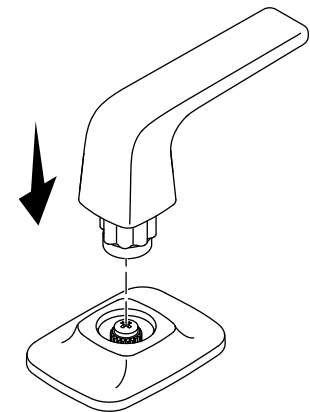
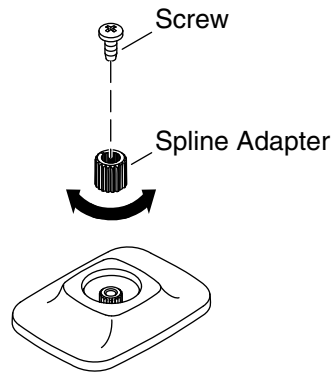
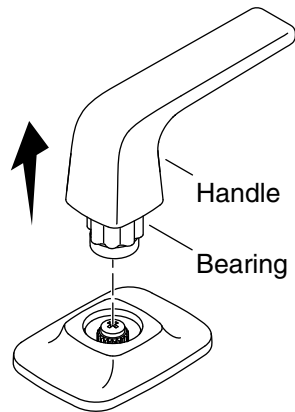
5. COMPLETE THE INSTALLATION



- Connect the supply hoses from the valve assemblies to the supply stops (Left is hot - right is cold).
- Tighten all connections.
- Connect the tailpiece to the P-trap (as needed).
- Ensure that all connections are tight.
- Open the drain.
- Turn on the water supply and check for leaks. Repair as needed.
- Remove the sprayhead.
- Open both the hot and cold valves and run water through the transfer valve and spray assembly for about a minute to remove debris. Check for leaks.
- Turn off the water.
- Reinstall the spray.

INSTALLATION INSTRUCTIONS

6. ADJUST THE HANDLE AND ESCUTCHEON ALIGNMENT IF NEEDED



- Pull up to remove the handle and bearing from the escutcheon.
- NOTE:** Use a pick or a similar tool to help remove the spline adapter.
- To adjust the handle, remove the screw and reposition the spline adapter.
- Reinstall the screw. Ensure that the valve is fully turned to the "OFF" position.
- NOTE:** To test the handle alignment, the handle does not need to be fully installed.
- Insert the handle until it engages with the spline adapter to verify alignment.
- Repeat this procedure until the desired handle alignment is obtained, then push the handle down until it snaps firmly in place against the escutcheon.
- To adjust the escutcheon, loosen the screws in the ring to allow for escutcheon adjustment.
- Tighten the screws when desired escutcheon alignment is obtained.