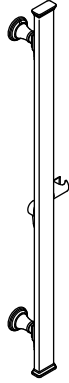


## INSTALLATION INSTRUCTIONS



P21654



P21664

## INSTALLATION INSTRUCTIONS

### THANK YOU FOR CHOOSING KALLISTA

We appreciate your commitment to KALLISTA quality products. Please take a moment to review this manual before you install your KALLISTA product. If you encounter any installation or performance problems, please do not hesitate to contact us at the phone number listed at the bottom of the page.

### BEFORE YOU BEGIN

**⚠ CAUTION: Risk of personal injury.** To eliminate the risk of scalding, the water temperature should never be set above 120°F (49°C).

**IMPORTANT!** For retrofit/remodel installations, check the existing shower enclosure for adequate clearance before proceeding with the slidebar installation. Refer to the roughing-in illustration in the Specification Sheet.

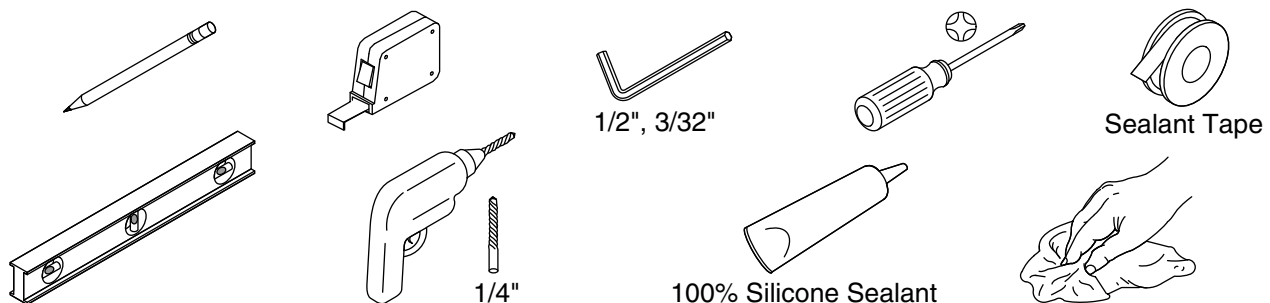
**IMPORTANT!** For best results, hot and cold water pressure should be similar and within a range of 29 psi (200 kPa) - 58 psi (400 kPa). If the maximum water pressure exceeds 75 psi (500 kPa), use a pressure-reducing device in the supply line.

**NOTICE: Risk of product damage.** Do not apply excessive weight or downward force to the slidebar.

**NOTE:** Plumbing codes may require a vacuum breaker be installed in-line to handshowers. Please consult with local plumbing officials.

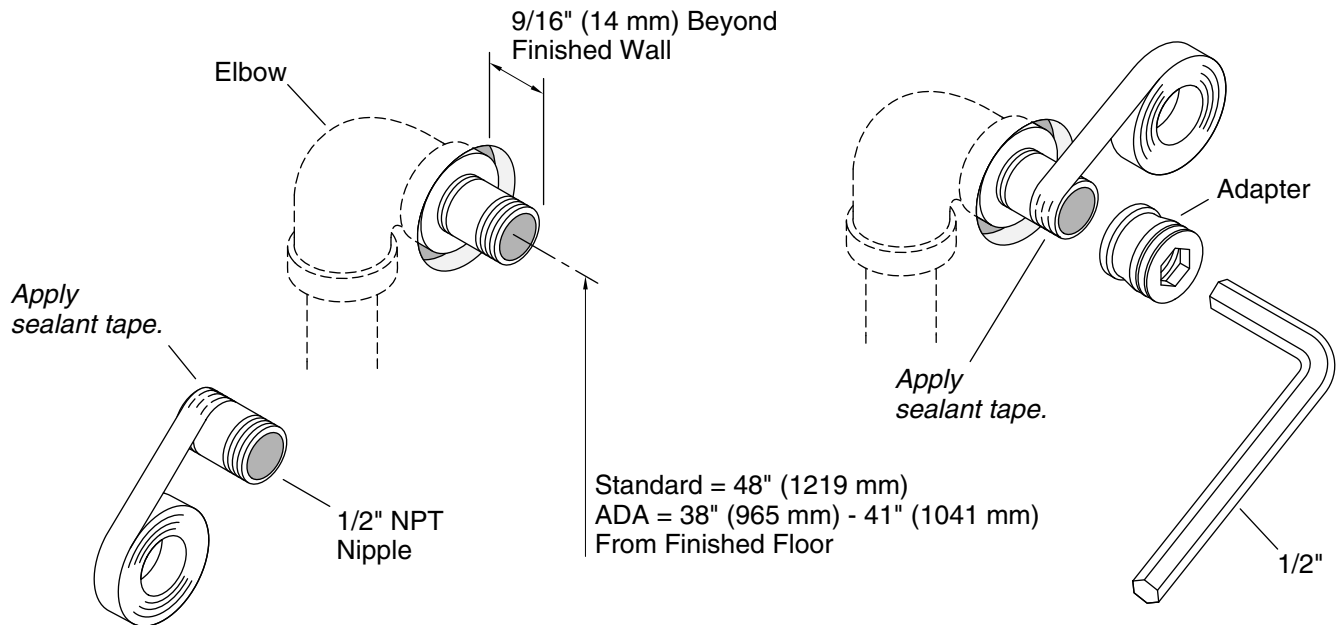
- Prior to installation, unpack the new slidebar and inspect it for damage. Return the slidebar to its protective carton until you are ready to install it.
- Inspect the existing supply piping and wall materials. Replace if necessary.
- Ensure that adequate strength wall-backing materials and stud bracing are properly positioned behind the finished wall.
- Wood screws must be securely anchored into the stud bracing to adequately support the product. When obtaining wood screws, take into account the type of stud bracing material and thickness of the finished wall.
- Wood screws must be corrosion-resistant and capable of 300 lbs (136 kg) load bearing per screw.
- Observe all local plumbing and building codes.
- Shut off the water supply.
- KALLISTA reserves the right to make revisions in the design of products without notice, as specified in the Price Book.

### TOOLS AND MATERIALS



## INSTALLATION INSTRUCTIONS

## 1. INSTALL THE SUPPLY ADAPTER (P21664 ONLY)

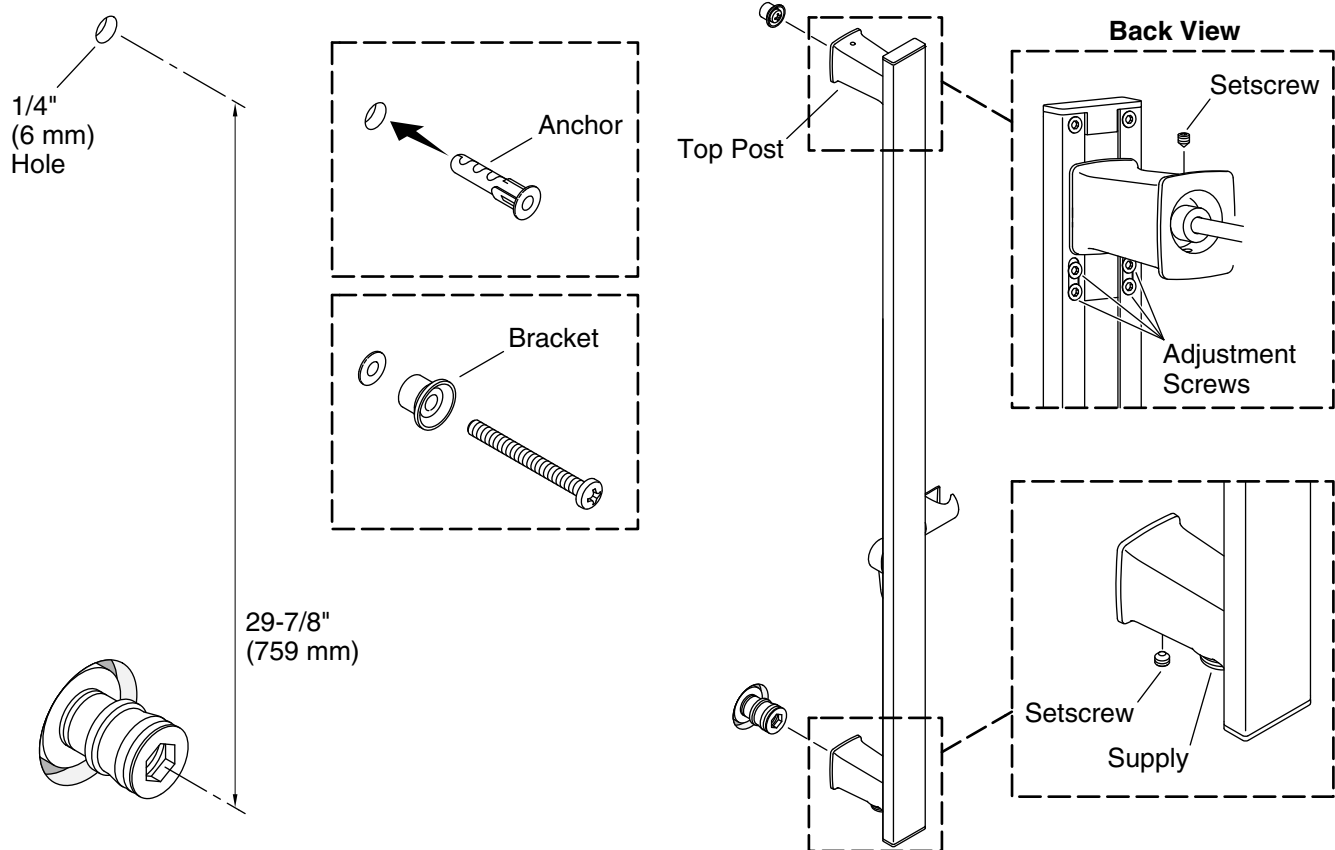


**NOTE:** The standard height for the supply installation is 48" (1219 mm) from the finished floor. For ADA applications, the supply height must be between 38" (965 mm) and 41" (1041 mm).

- Apply thread sealant tape to one end of a 1/2" NPT nipple.
- Install the nipple to the supply elbow so it extends 9/16" (14 mm) beyond the finished wall.
- Apply sealant tape to the exposed threads on the nipple.
- Thread the adapter onto the nipple.
- Tighten the adapter using a 1/2" hex wrench.

## INSTALLATION INSTRUCTIONS

## 2. INSTALL THE SLIDEBAR WITH INTEGRATED SUPPLY (P21664)

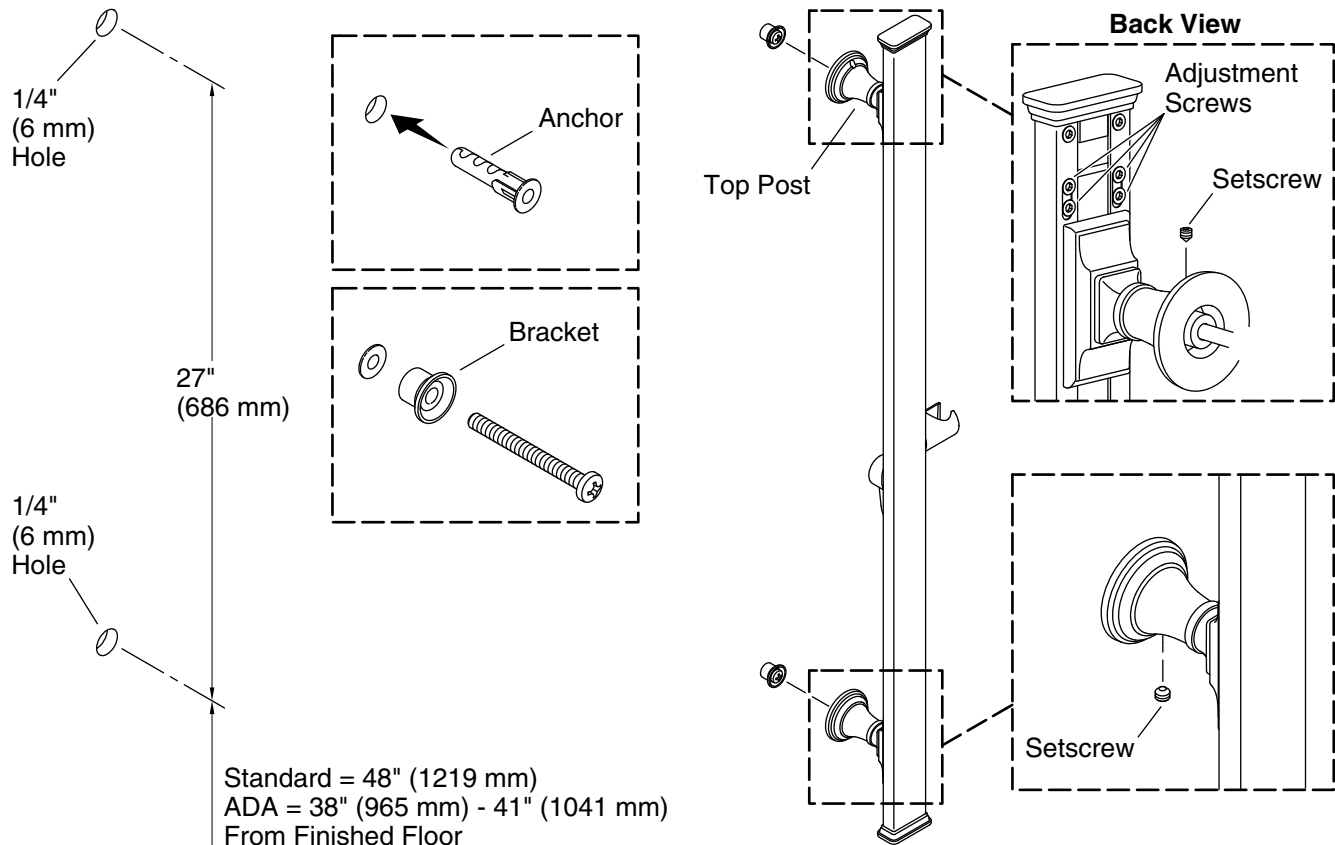


**NOTICE:** These instructions are for P21664 (with integrated supply). For P21654, proceed to the next section.

- Measure and mark 29-7/8" (759 mm) vertically from the center of the adapter.
- Make sure the top post adjustment screws are centered in their slots so adjustment can be made in either direction. This will allow even up or down adjustability of the slidebar top post.
- Hold the slidebar up and make sure the openings in the two posts are centered on the mark and adapter.
- Using a level, verify that the hole centerlines are vertically aligned.
- Drill a 1/4" (6 mm) hole at the marked location, and install the wall anchor flush to the wall.
- Mount the bracket to the wall with the supplied screw.
- Position the slidebar with the water supply at the bottom. Push the slidebar onto the two brackets.
- If necessary, adjust the vertical position of the top post: Using a 3/32" hex wrench, loosen the four screws and adjust the top post position. Retighten the screws.
- The hole in the bracket is oversized to allow for additional adjustment if necessary for proper fit. Loosen the screw and adjust the bracket up or down slightly. Then retighten the screw.
- Using a 3/32" hex wrench, secure the setscrew at each post.
- Turn on the water supply and check for leaks. Repair as needed.
- Apply silicone sealant around the perimeter of the two posts.
- Wipe away any excess sealant.

## INSTALLATION INSTRUCTIONS

## 3. INSTALL THE SLIDEBAR (P21654)



**NOTICE:** These instructions are for P21654. For P21664 (with integrated supply), go to the previous sections.

**NOTE:** The standard height for supply installation is 48" (1219 mm) from the finished floor. For ADA applications, the supply height must be between 38" (965 mm) and 41" (1041 mm).

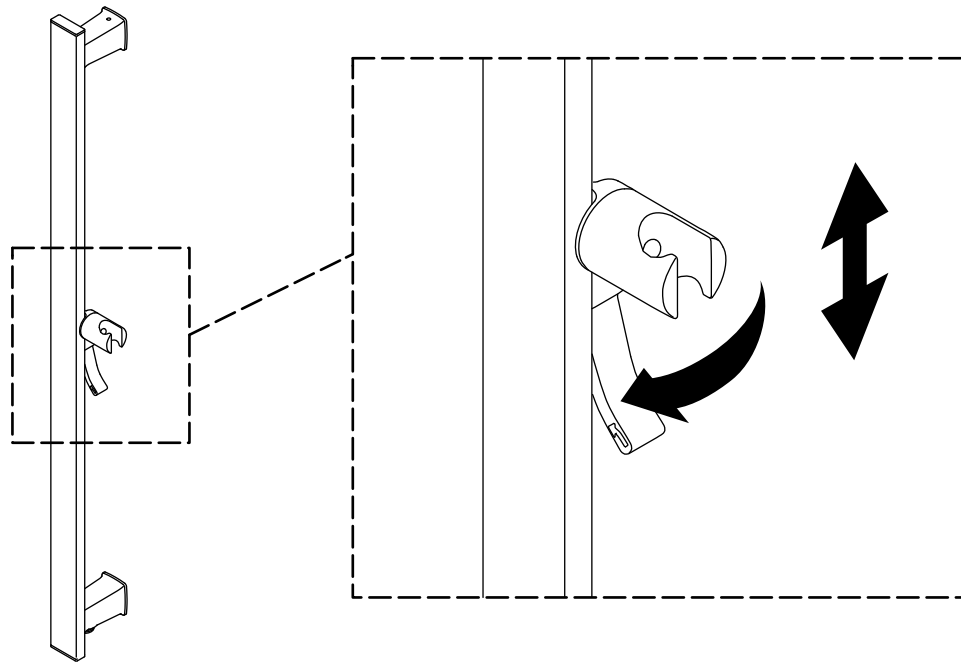
- Mark the bottom hole location. Refer to the note above for recommended height.
- Measure and mark 27" (686 mm) vertically from the center of the marked hole.
- Make sure the top post adjustment screws are centered in their slots so adjustment can be made in either direction. This will allow even up or down adjustability of the slidebar top post.
- Hold the slidebar up and make sure the openings in the two posts are centered on the marks.
- Using a level, verify that the hole centerlines are vertically aligned.
- Drill 1/4" (6 mm) holes at the marked locations.
- Install both wall anchors flush to the wall.
- Mount each bracket to the wall with the supplied screw.
- Position the slidebar over the two brackets and push onto the brackets.
- If necessary, adjust the vertical position of the top post: Using a 3/32" hex wrench, loosen the four screws and adjust the top post position. Retighten the screws.
- The hole in the bracket is oversized to allow for additional adjustment if necessary for proper fit. Loosen the

## INSTALLATION INSTRUCTIONS

screw and adjust the bracket up or down slightly. Then retighten the screw.

- Using a 3/32" hex wrench, secure the setscrew at each post.
- Apply silicone sealant around the perimeter of the two posts.
- Wipe away any excess sealant.

## ADJUST THE HANDSHOWER HOLDER POSITION



- Release the gripping mechanism by rotating the handle clockwise until the handle is vertical.
- Move the handshower holder up or down to the desired height, then release the handle to allow it to spring back into position.
- If necessary, firmly pull the handle counterclockwise to lock the gripping mechanism at the desired height.