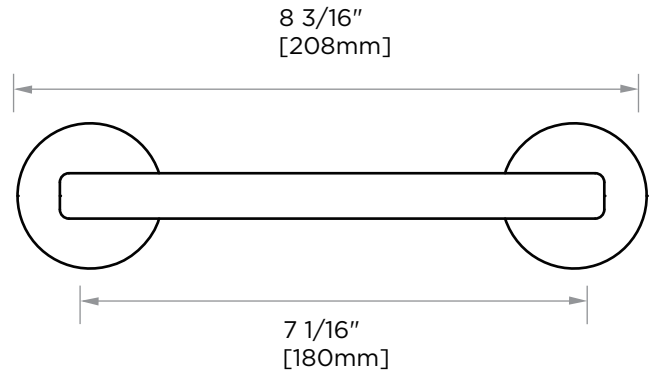
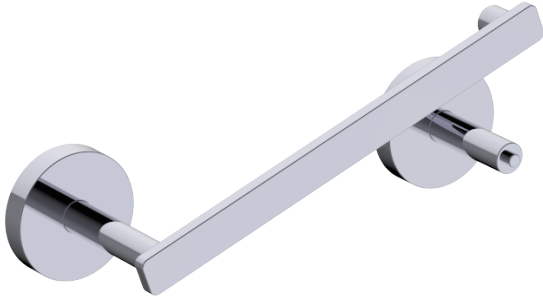


SIENA COLLECTION
PIVOT TISSUE HOLDER
368158



PRODUCT NAME: PIVOT TISSUE HOLDER

PRODUCT CODE: 368158

MATERIAL: All-brass construction

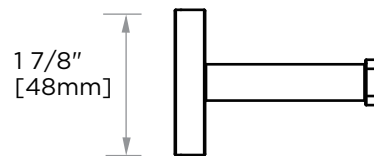
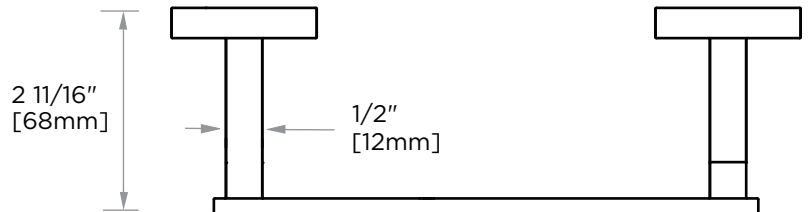
KEY FEATURES: Elegant, strong linear components combined with round rosettes.

FINISHES: ● Polished Chrome (99)

SPECIAL FINISHES AVAILABLE: 26 options available. Please see our website for full list samples

WARRANTY:

Lifetime Limited (Residential Use)
One Year (Commercial Use)



NOTE: Dimensions and specifications are subject to change without notice.