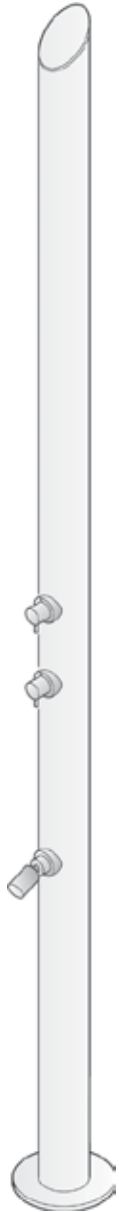


INSTALLATION INSTRUCTIONS

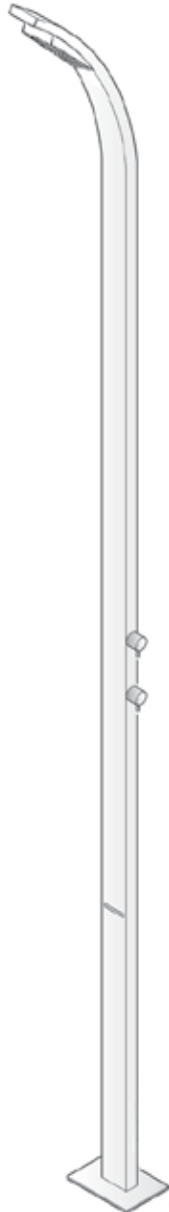
Outdoor Shower Columns

Product Number: Aqua Adagio (1800 & 1805) & Arc Column (1900 & 1905)

Please read instructions carefully before beginning the installation.



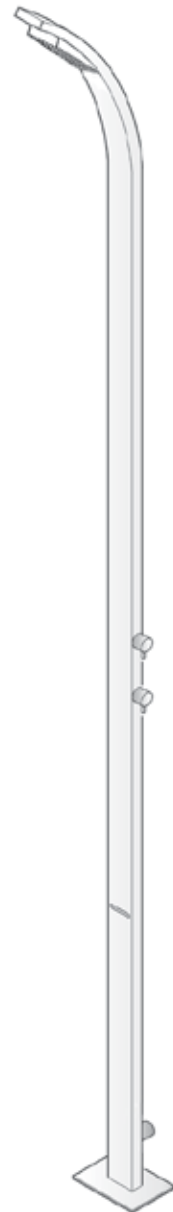
1800



1900



1805



1905

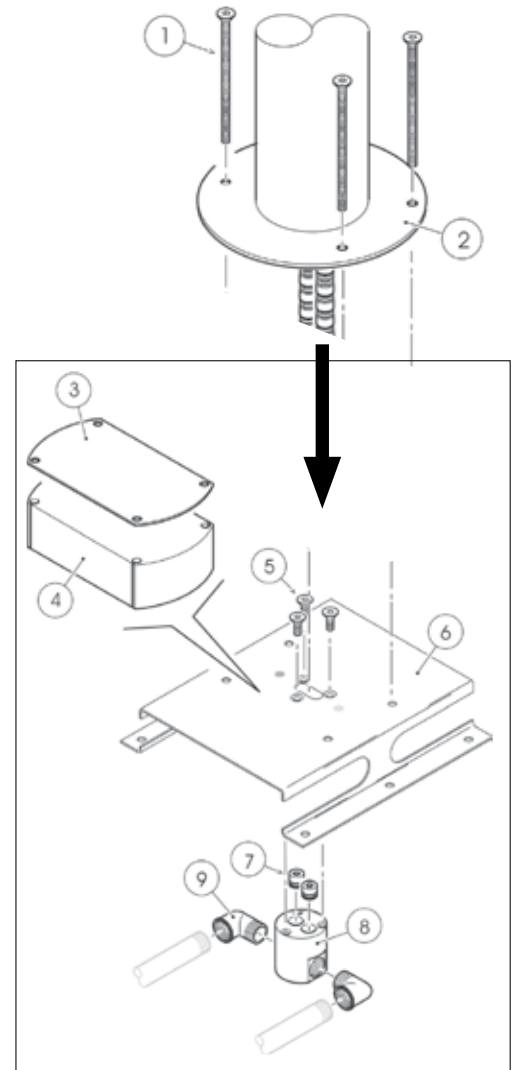
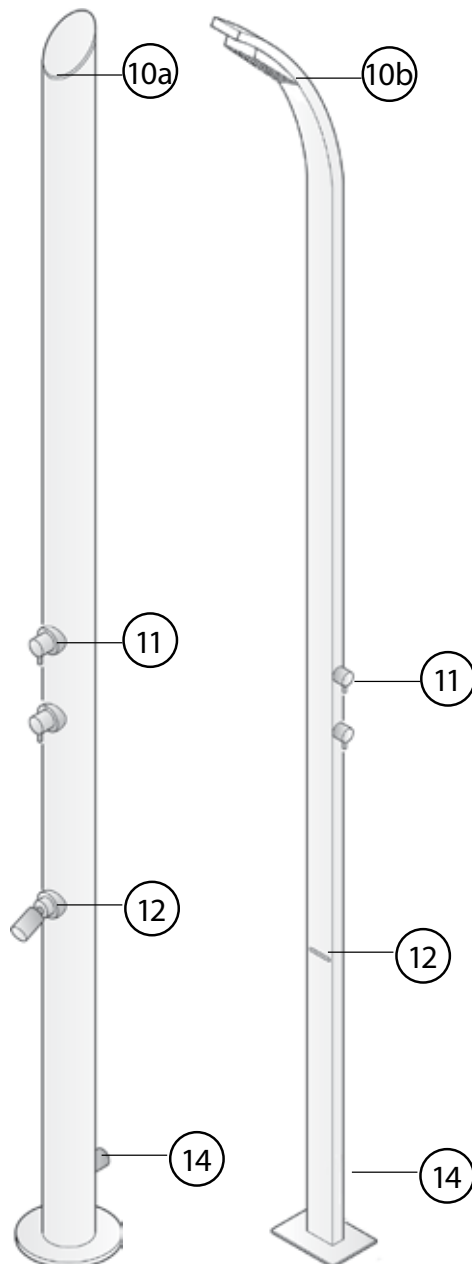
COMPONENTS

- 1) Screws
- 2) Swimming pool shower column
- 3) Cover
- 4) Polystyrene plug
- 5) Screw for fixing connector
- 6) Ground bracket
- 7) Protective plugs
- 8) Fixing connector
- 9) Curved fittings
- 10a) Waterfall jet diffuser
- 10b) Easy-Clean self-cleaning rainfall jet diffuser
- 11) 2 control valves with progressive cartridges
- 12) Foot wash nozzle
- 13) Screws for polystyrene plug (3+4)

Renovation column only:

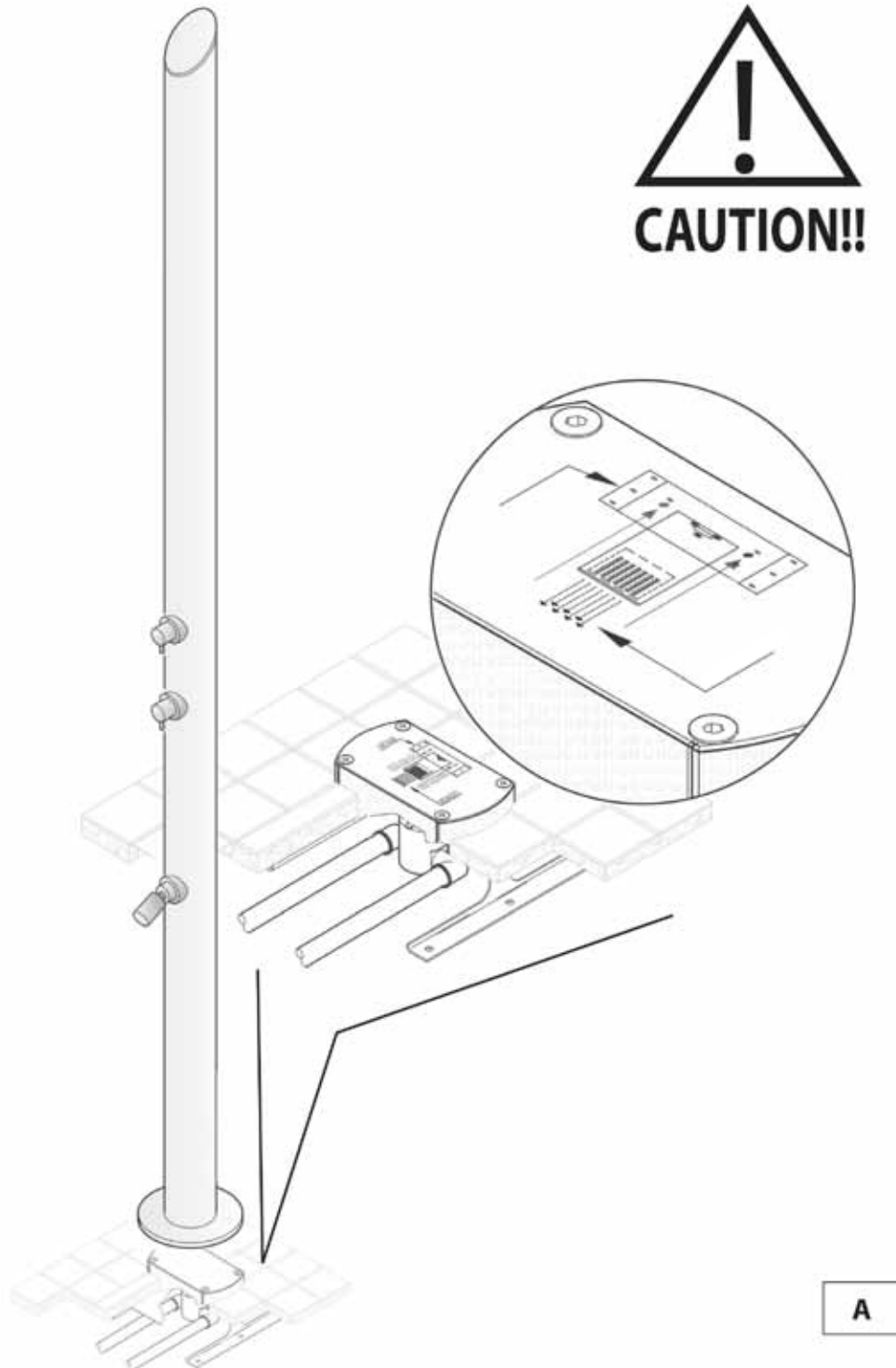
- 14) 3/4" M attachment for garden hose
- 15) Screws and plugs

NB: Important! Make sure that you put aside those components needed to maintain the column during the winter months (3, 4, 7, 13) during assembly and keep them somewhere safe.



WARNING

In order to install the outdoor shower column correctly (grounded in the earth), you must first check that your designers/installers know which direction you want the water spray to come from (Fig. A). This is because the direction in which the shower column is facing at installation is determined by the direction of the fixing connector, as indicated on the label stuck to the cover (3). It is therefore important to accurately define the position and direction of the fixing connector before proceeding to the subsequent stages.



INSTALLATION

Fig.B: Connect the curved pipes (9) to the supply system.

Fig.C: Make sure that the support is perfectly level.

Fig.D: Complete the paving, making sure that you keep the minimum distances shown in the image.

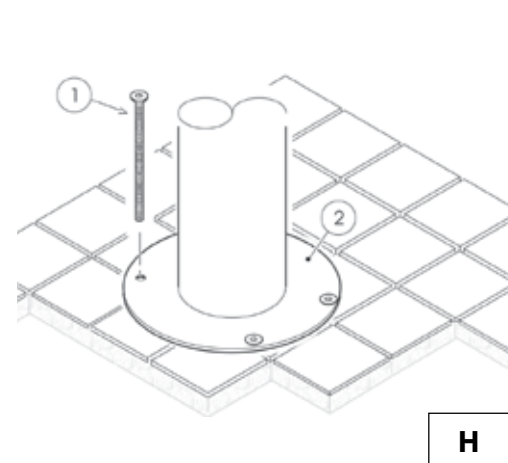
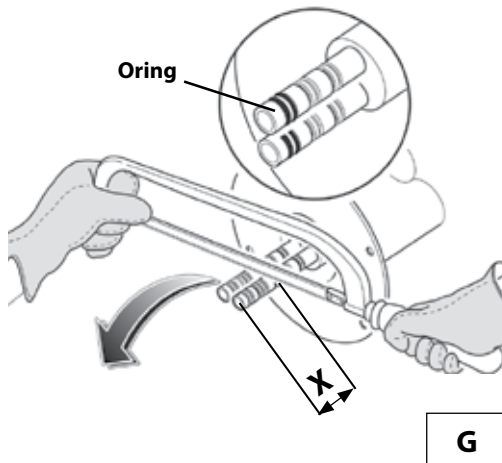
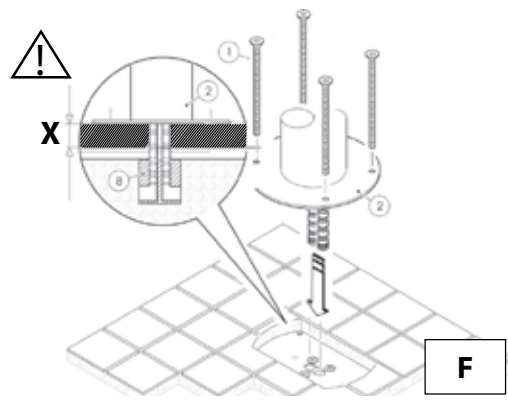
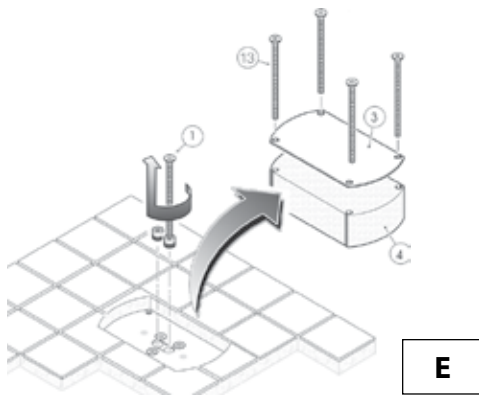
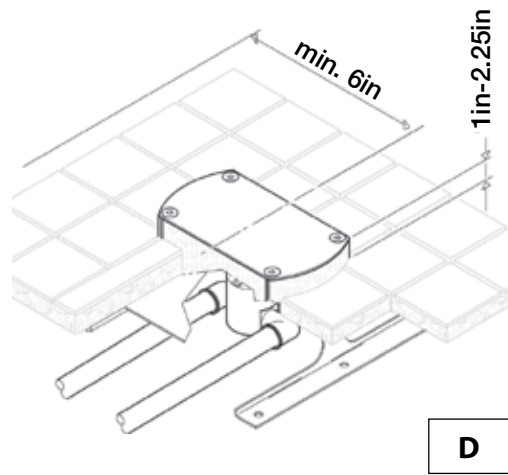
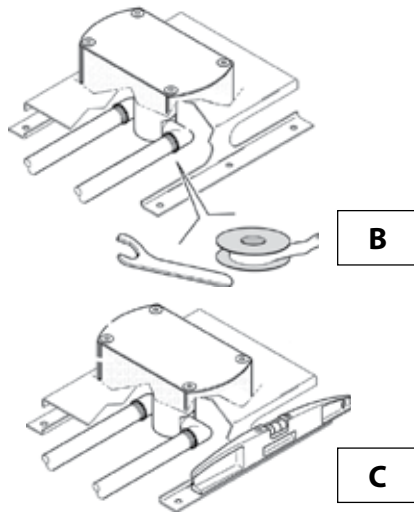
Fig.E: Remove the polystyrene (4) and cover (3), unscrewing the four screws (13). Then remove the two plugs of the base using one of the screws.

Flush out the system to make sure that any impurity in the pipes is removed.

Fig.F: Insert the column (2) into the base using (8), checking to see if there is any gap between the column base and the pavement (see X).

Fig.G: If there is a gap, shorten the attachments by cutting them by as least as much as shown in X and reposition the O-Rings in the two most prominent places.

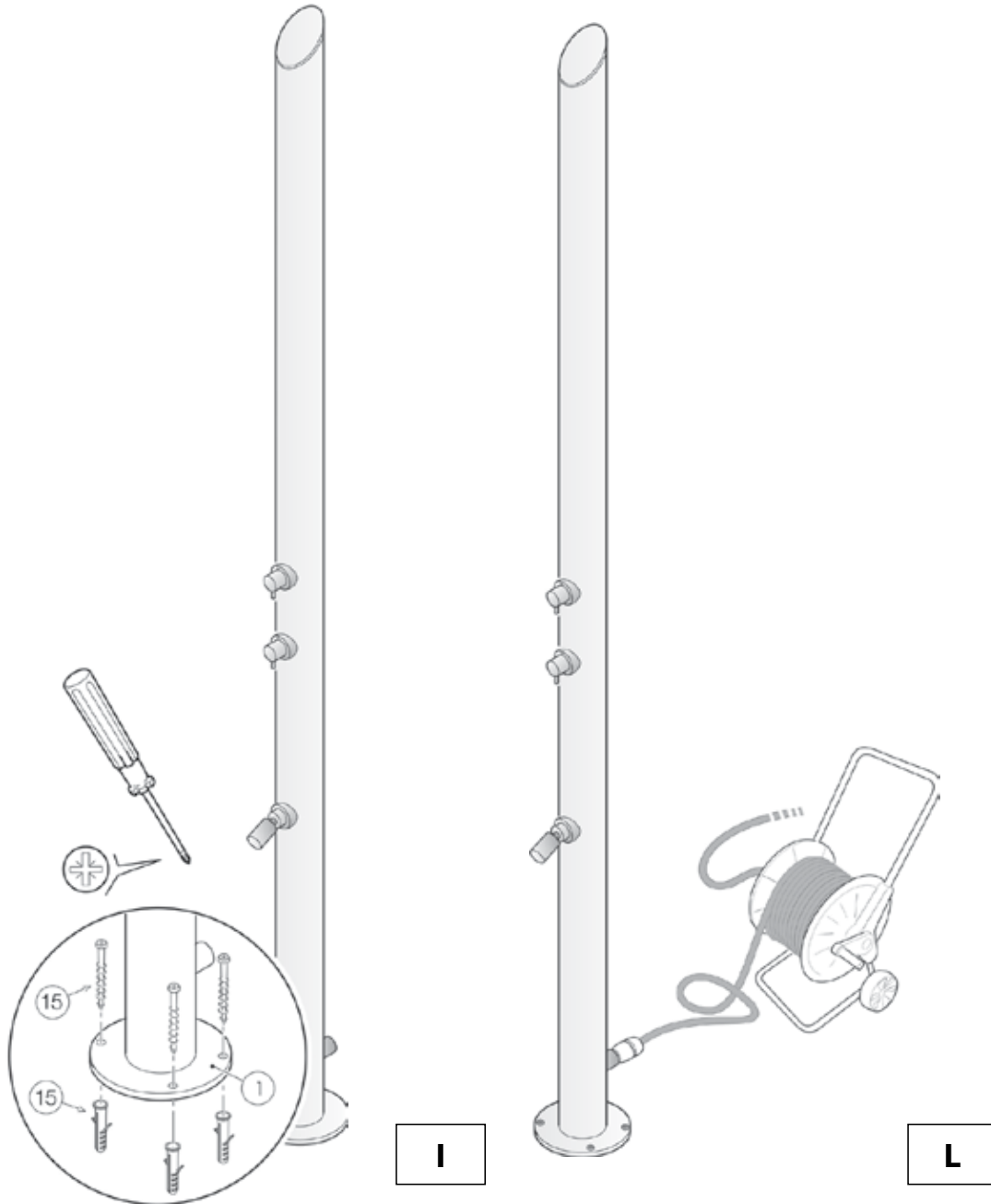
Fig.H: Insert the column (2), check that it is perfectly rooted in the ground and fix it using the four screws (1) together with the fixing connector.



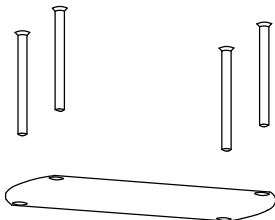
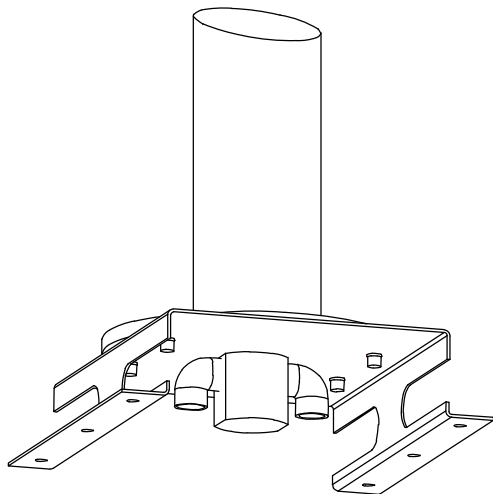
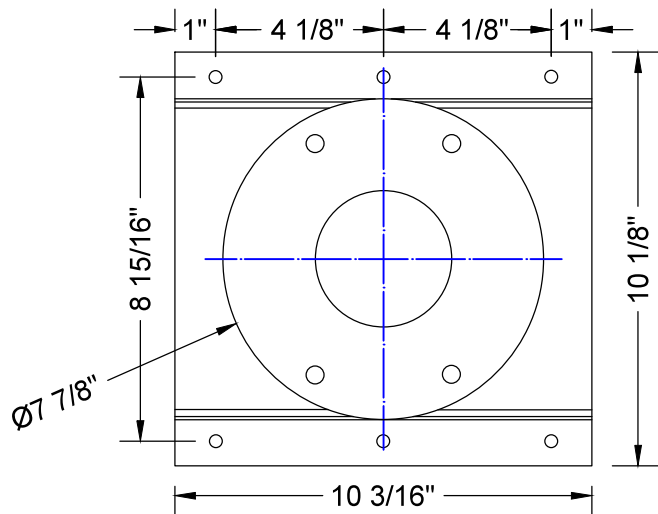
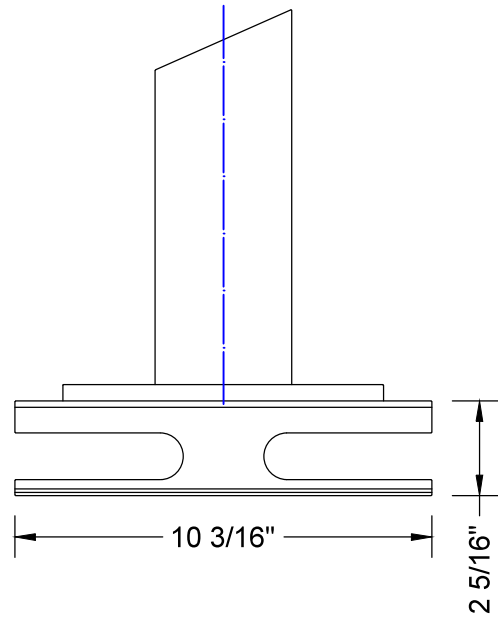
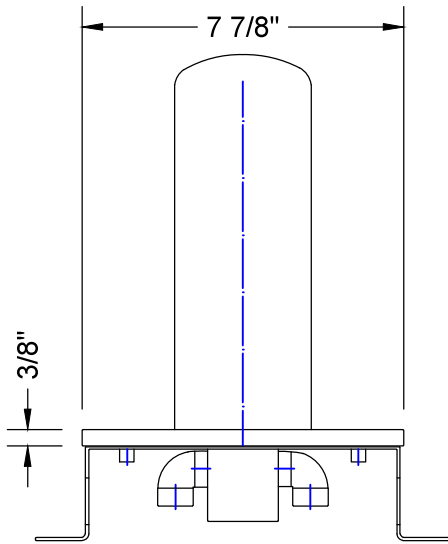
INSTALLATION

Fig.I: Fix the column using the 4 screws and plugs (15) included in the pack.

Fig.L: Link the 3/4" M attachment to the garden hose.



FLOOR BOX



"JACLO INDUSTRIES PROPRIETARY INFORMATION"

THIS DRAWING CONTAINS CONFIDENTIAL PROPRIETARY INFORMATION AND IDEAS BELONGING TO JACLO INDUSTRIES. DRAWING IS BEING DISCLOSED IN CONFIDENCE FOR A LIMITED PURPOSE AND MUST BE RETURNED UPON REQUEST. IT MAY NOT BE USED FOR ANY OTHER PURPOSE AND MAY NOT BE REPRODUCED, COPIED, OR DISCLOSED TO OTHER PARTIES WITHOUT THE PRIOR WRITTEN CONSENT OF JACLO INDUSTRIES.

JACLO

JACLO INDUSTRIES - 908-653-4433
129 Dermody Street, Cranford NJ 07016

TITLE: FLOOR BOX			
DATE: 02/19/15	MATERIAL: TBD	FINISH: TBD	SCALE: .5:1
DWG. NO. FLOOR BOX			REV. 0

JACLO PRODUCT CARE

Thank you for selecting a JACLO product. In order to maintain the high quality finish of the product you have purchased, please adhere to the following product care instructions:

Cleaning metal parts: For routine cleaning simply use a soft damp cloth and common household soap, then rinse and dry. Proper care of your product is important because most water contains calcium that deposits on surfaces, forming unpleasant spots. This can be avoided by routine cleaning and drying after every use. Use only mild soap based detergents. **Never use abrasive cleaners, bleach, disinfectants or cleaning products containing alcohol, ammonia, hydrochloric or phosphoric acids as they will damage the product finish.**

Cleaning rubber nibs: Some JACLO showerheads and handshowers are equipped with "Easy Clean" rubber nibs. Over time calcium may build up in the nibs and diminish the performance of your shower product. Rubbing your fingers over the nibs occasionally while operating your shower product will clear the calcium build up.

MAINTENANCE

We recommend that you follow the maintenance instructions below to ensure that your product is safeguarded during the winter months:

Empty the water supply that services the shower column at the end of the summer, before it starts to get cold

Remove column during the winter months. This is easy to do and will help make the column last longer.

Removing column: Remove 4 screws (1), slide out column (2) reposition the protective (7) and polystyrene (4+3) plugs using the 4 screws (13).

Please note: Your product warranty may not be valid if the above cleaning and maintenance guidelines are not followed.

WARRANTY

Your new plumbing product is warranted by JACLO INDUSTRIES, 129 Dermody Street, Cranford, NJ 07016.

This warranty is extended to original consumer purchasers only. This warranty gives you specific legal rights, and you may also have other rights which vary from state to state.

The product (including the finish on the product but excluding any installation hardware not supplied by JACLO) is warranted to be free from defects in material or workmanship under normal use and service for the lifetime of the product, so long as the original consumer purchaser owns it. JACLO's sole obligation under this or any other warranty is limited to repairing or replacing, at JACLO's option, any part or parts of the product which fail to conform to such warranty. JACLO cannot warranty any living finish.

JACLO WILL NOT BE LIABLE FOR ANY CONSEQUENTIAL OR INCIDENTAL DAMAGES CAUSED BY A BREACH OF THIS WARRANTY.

Some states do not allow the exclusion or limitation of incidental or consequential damages, so the above limitation may not apply to you.

In order to secure warranty performance, the original consumer purchaser must (a) have the product properly installed in accordance with all installation instructions, (b) not subject the product to abuse, misuse or alter it in any way, and (c) remove the product and return it to JACLO, transportation prepaid, together with a brief description of the defect.

JACLO does not authorize any distributor, retailer or other person to modify this warranty or assume any liability on its behalf with respect to it. Any questions regarding the operation of warranty should be addressed to JACLO, Warranty Department.

Standard one year warranty applies to all commercial applications.