

INSTALLATION INSTRUCTIONS

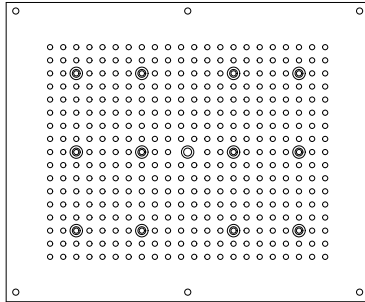
DREAM LIGHT RAIN CANOPY

Part #'s: 1620-DLRC, 1616-DLRC, 1212-DLRC, 16R-DLRC, 12R-DLRC
1620-DLCT, 1616-DLCT, 1212-DLCT, 16R-DLCT, 12R-DLCT
88-DLCT, 88-DLRC, 8R-DLCT, 8R-DLRC

JACLO®

Confidence from start to finish.™

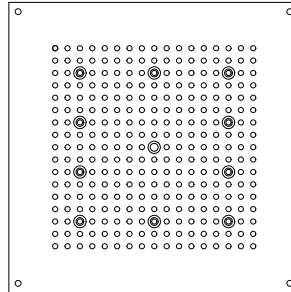
DREAM LIGHT



1620-DLRC

RETTANGO

18.5" x 23" - 12 LED



1616-DLRC

QUADRATO

18.5" x 18.5" - 10 LED

1212-DLRC

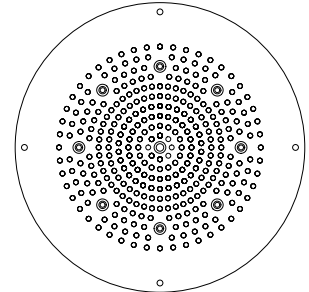
QUADRATO

14.5" x 14.5" - 4 LED

88-DLRC

QUADRATO

10.5" x 10.5" - 4 LED



16R-DLRC

CIRCOLARE

18.5" Diameter - 8 LED

12R-DLRC

CIRCOLARE

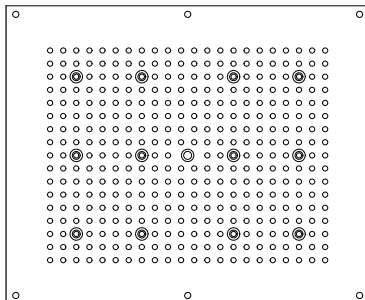
14.5" - 4 LED

8R-DLRC

CIRCOLARE

10.5" - 4 LED

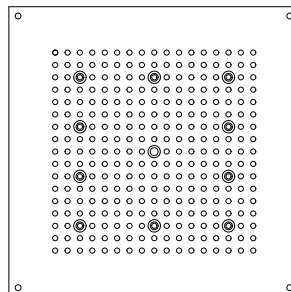
DREAM LIGHT CHROMATHERAPY



1620-DLCT

RETTANGO

18.5" x 23" - 12 LED



1616-DLCT

QUADRATO

18.5" x 18.5" - 10 LED

1212-DLCT

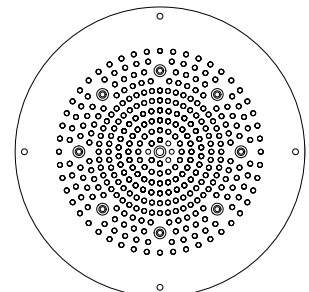
QUADRATO

14.5" x 14.5" - 4 LED

88-DLRC

QUADRATO

10.5" x 10.5" - 4 LED



16R-DLCT

CIRCOLARE

18.5" Diameter - 8 LED

12R-DLCT

CIRCOLARE

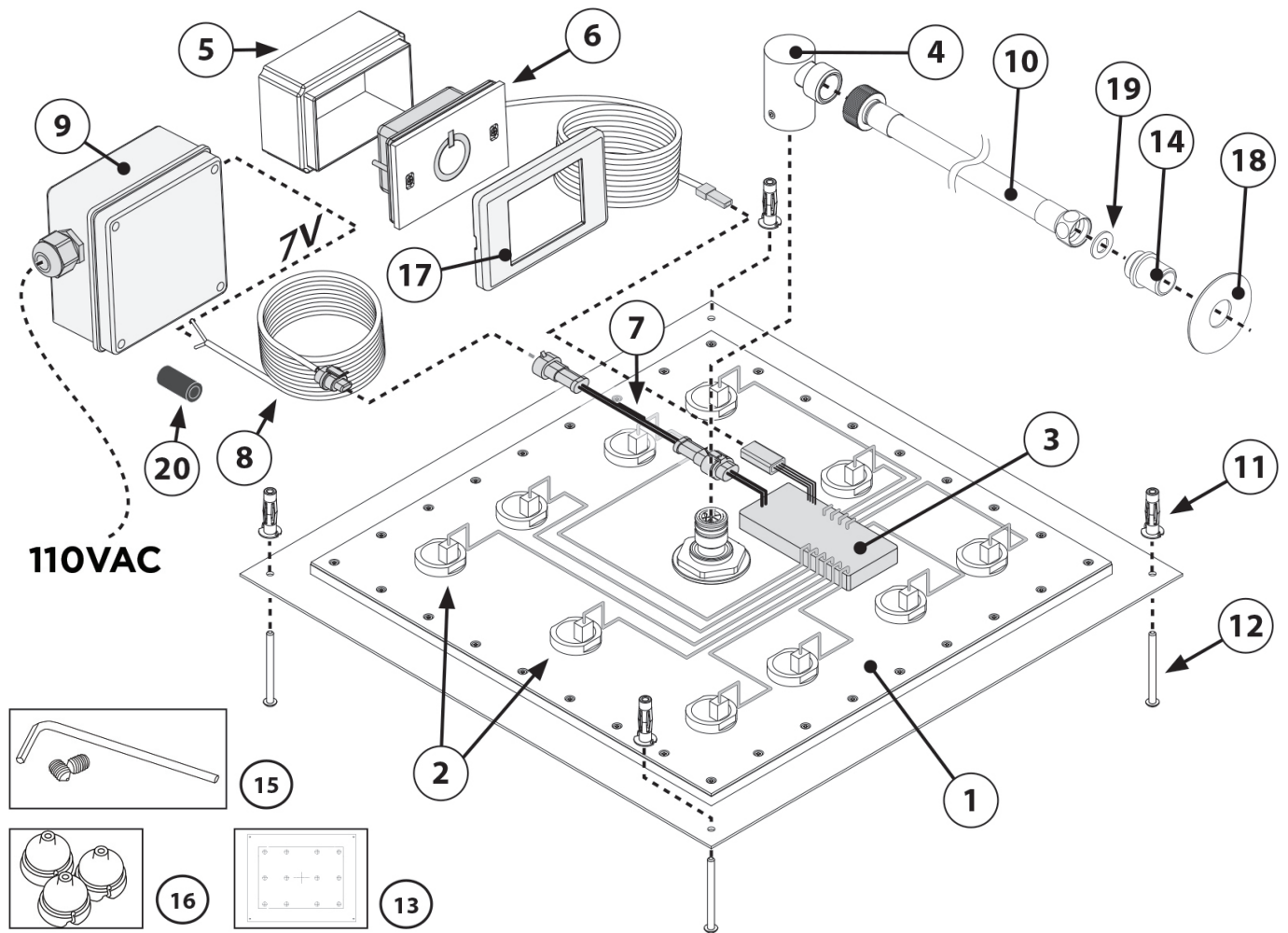
14.5" - 4 LED

8R-DLRC

CIRCOLARE

10.5" - 4 LED

DREAM LIGHT COMPONENTS




01	Stainless steel shower head
02	LED
03	IP66/IP67 electronic board
04	Quick coupling connector to shower head
05	Recessed enclosure
06	Control keypad with 3m cable (other lengths available on request)
07	Connector with fuse
08	7V connection cable-5m long (other lengths available on request)
09	Power supply unit
10	Flexible hose 100cm 1/2" F X 1/2" F

11	False-ceiling plugs
12	Screws
13	Template
14	Adaptor Connection 1/2" M X 1/2" M
15	Hex key grub screws
16	Rubber nozzles (spare)
17	Chrome plate
18	Rosette
19	Seal
20	Electromagnetic filter

TECHNICAL FEATURES

PRODUCT	LEDs	FLOW RATES (gal/min)	PRODUCT WEIGHT (lbs.)	PRODUCT WEIGHT WITH WATER (lbs.)
1620-DLRC/ DLCT RETTANGO	12	4.23	23.15	25.46
1616-DLRC/ DLCT QUADRATO	10	4.23	18	20.61
1212-DLRC/ DLCT QUADRATO	4	3.70	15	17
16R-DLRC/ DLCT CIRCOLARE	8	4.23	15	17
12R-DLRC/ DLCT CIRCOLARE	4	3.70	10.58	11.68
8R-DLRC/ DLCT CIRCOLARE	4	2.37	5	6
88-DLRC/ DLCT QUADRATO	4	2.37	12	14

ELECTRICAL EQUIPMENT *Technical specifications*

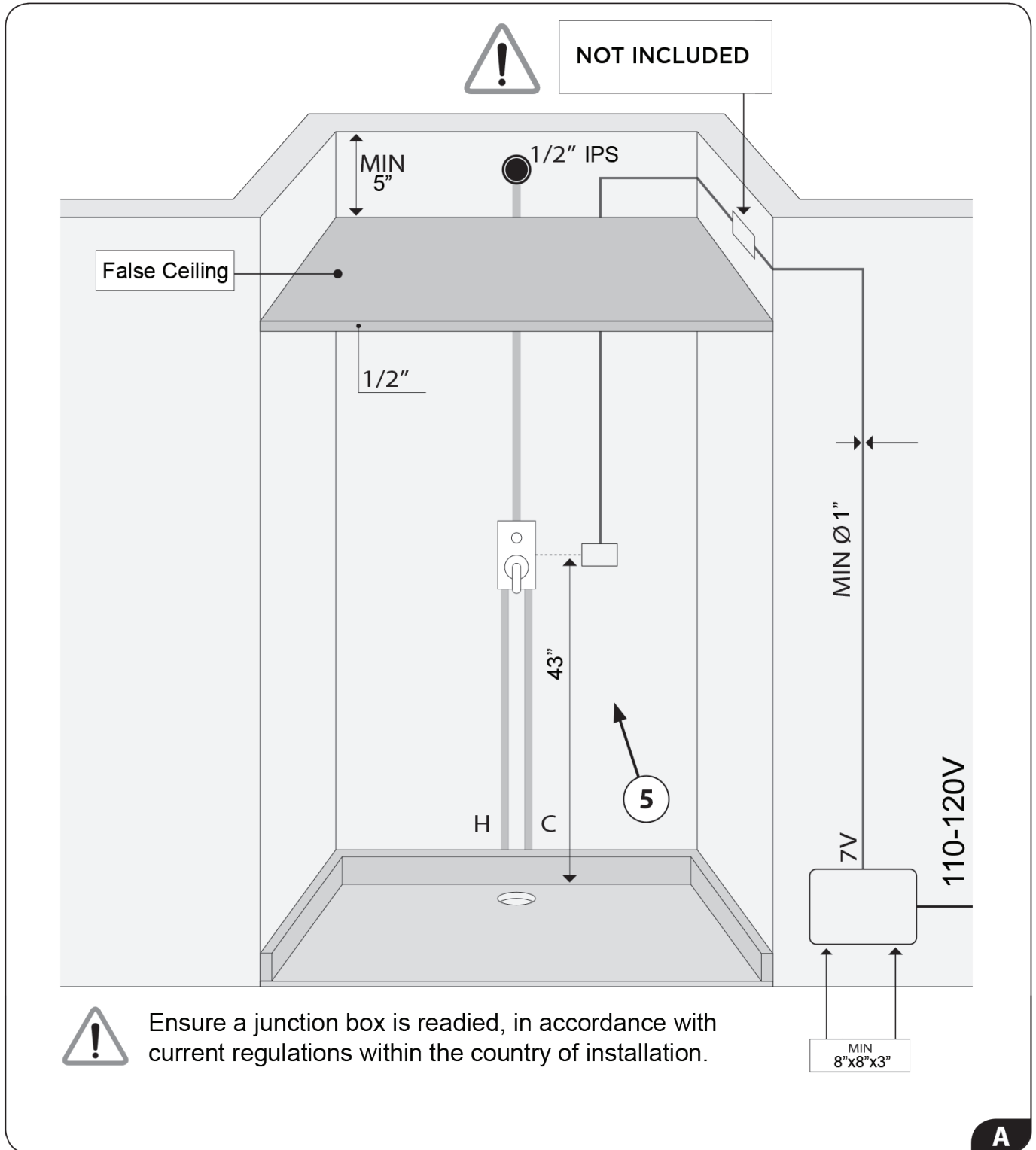
<i>Electric connection</i>	110VAC ~ 50-60 Hz - max 20w class of protection II
<i>Electric cable (supplied by customer)</i>	 External cable diameter: max 8.5mm
<i>1620-DLRC/DLCT RECTANGO</i>	12 low voltage LEDs
<i>1616-DLRC/DLCT QUADRATO</i>	4 low voltage LEDs
<i>1212-DLRC/DLCT QUADRATO</i>	10 low voltage LEDs
<i>16R-DLRC/DLCT CIRCOLARE</i>	4 low voltage LEDs
<i>12R-DLRC/DLCT CIRCOLARE</i>	8 low voltage LEDs
<i>8R-DLRC/DLCT CIRCOLARE</i>	4 low voltage LEDs
<i>88-DLRC/DLCT QUADRATO</i>	4 low voltage LEDs
<i>Safety Transformer</i>	110VAC ~ / 7V= 50-60 Hz to be installed outside the safety area (in compliance with standard DIN VDE 0100, part 107 – according to prescription CEI 64/8)
<i>Grade of protection</i>	IP67
<i>Safety mark</i>	CE

The electrical systems must be carried out by a qualified technician in accordance with the national and international laws in force. If no commands are sent to the system, a time-out function automatically shuts the system off after approx. 30 minutes.

Power should run through the wiring with the aid of a residual-current device (RCD) possessing a working residual current no higher than 30mA.

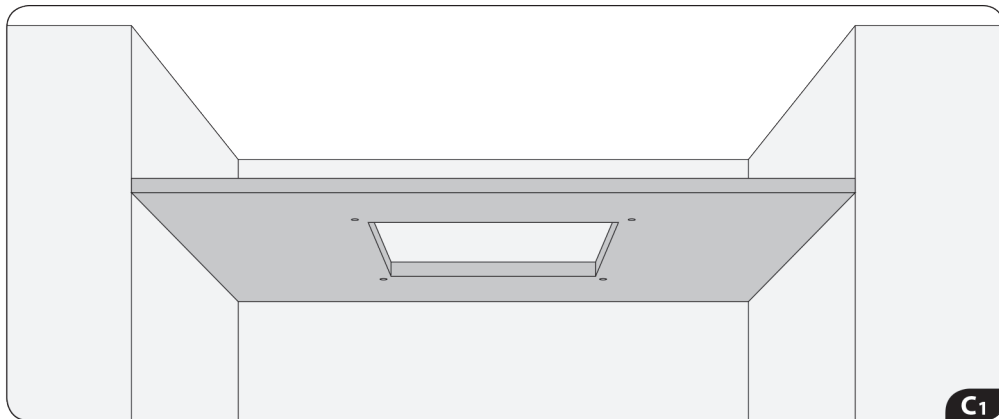
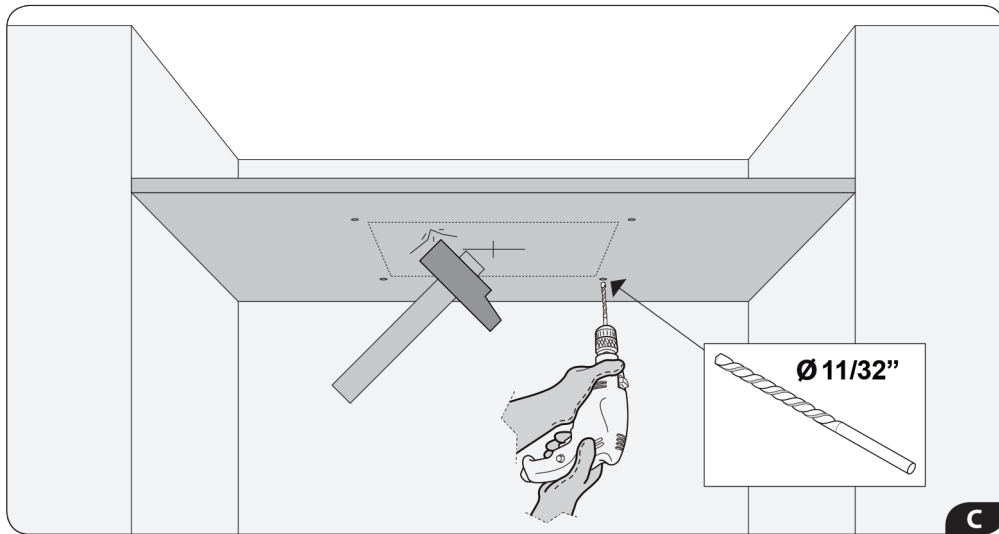
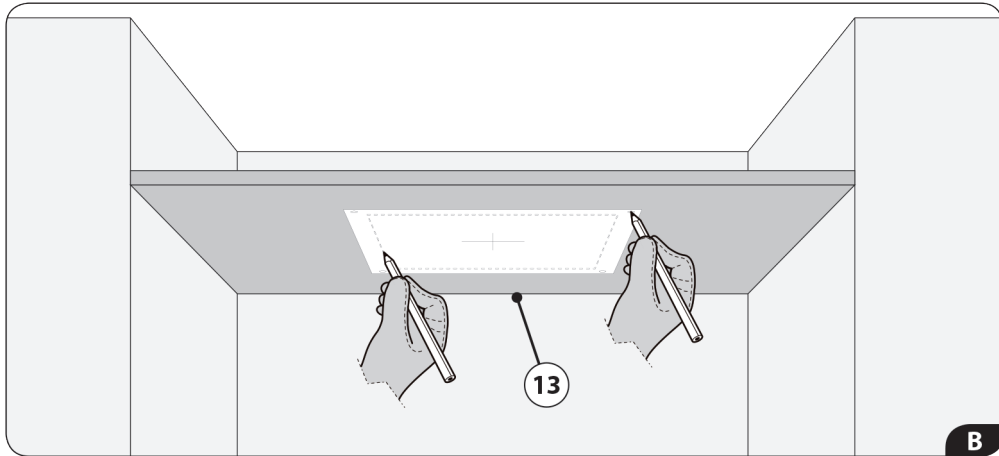
DREAM LIGHT RAIN CANOPY INSTALLATION

RECOMMENDED SET-UP

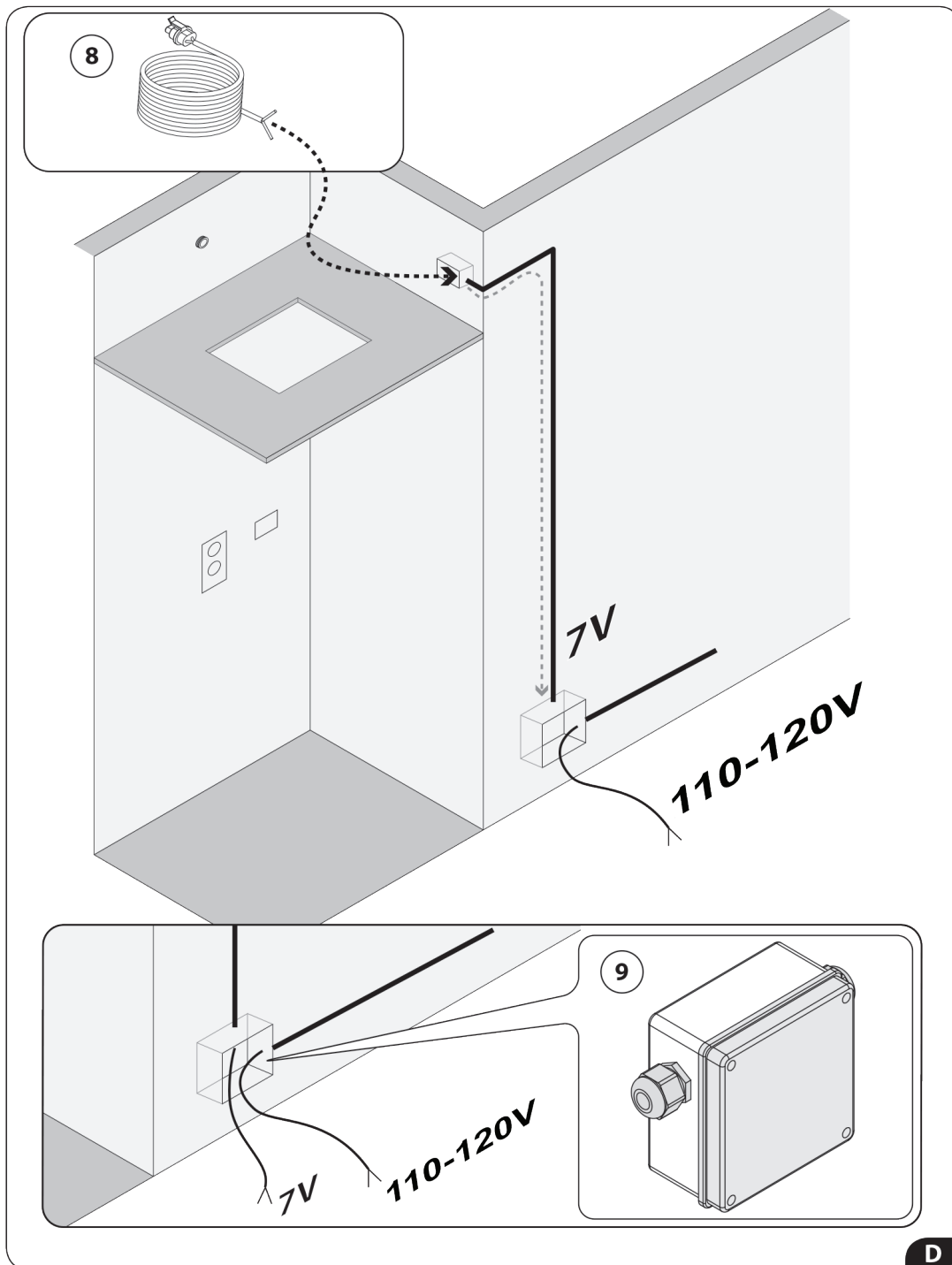


DREAM LIGHT RAIN CANOPY INSTALLATION

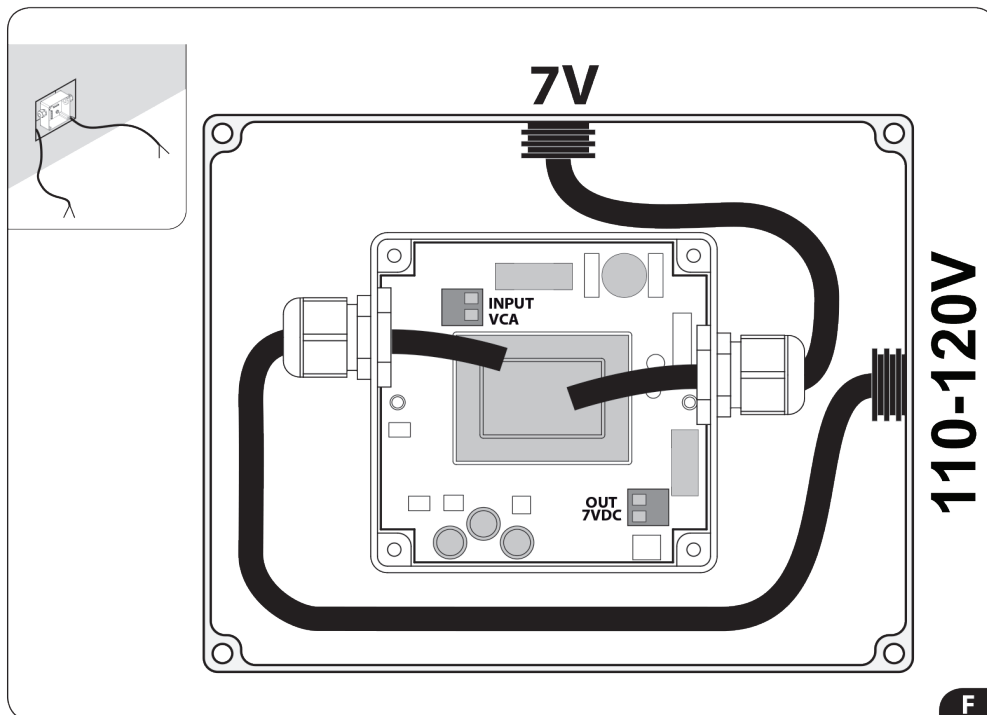
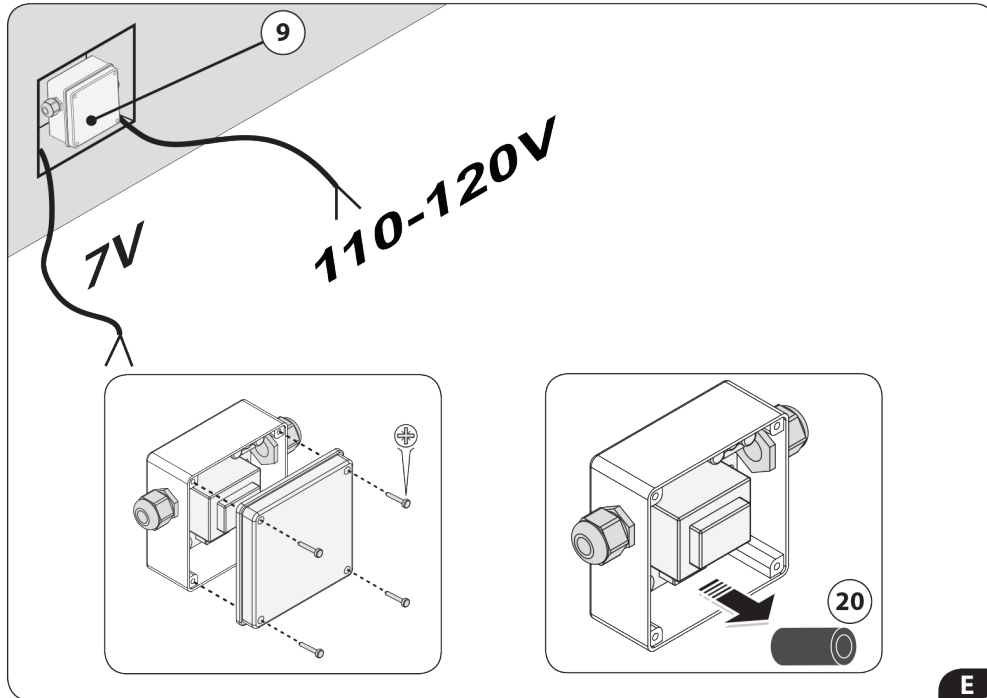
RECOMMENDED SET-UP



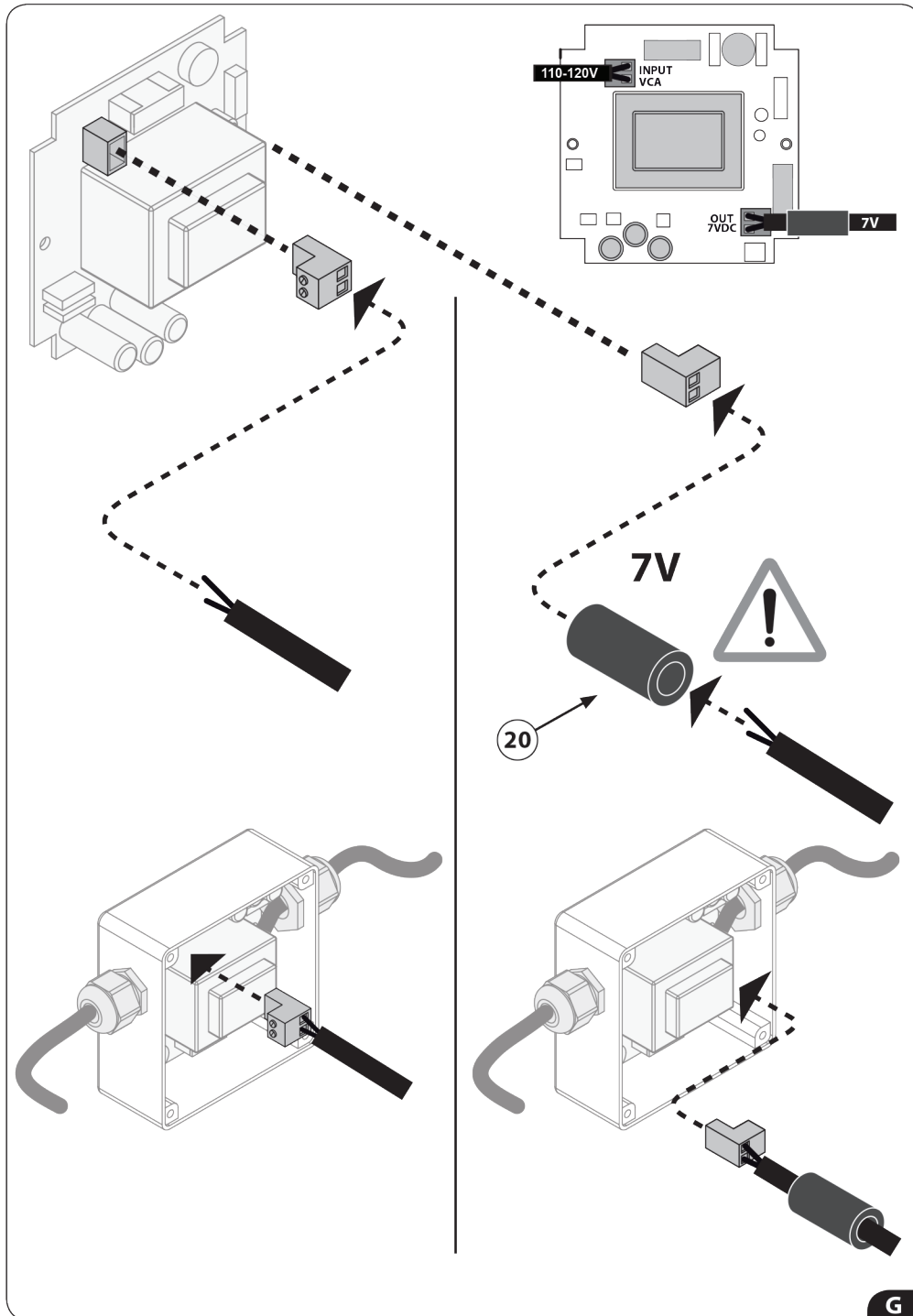
DREAM LIGHT RAIN CANOPY INSTALLATION



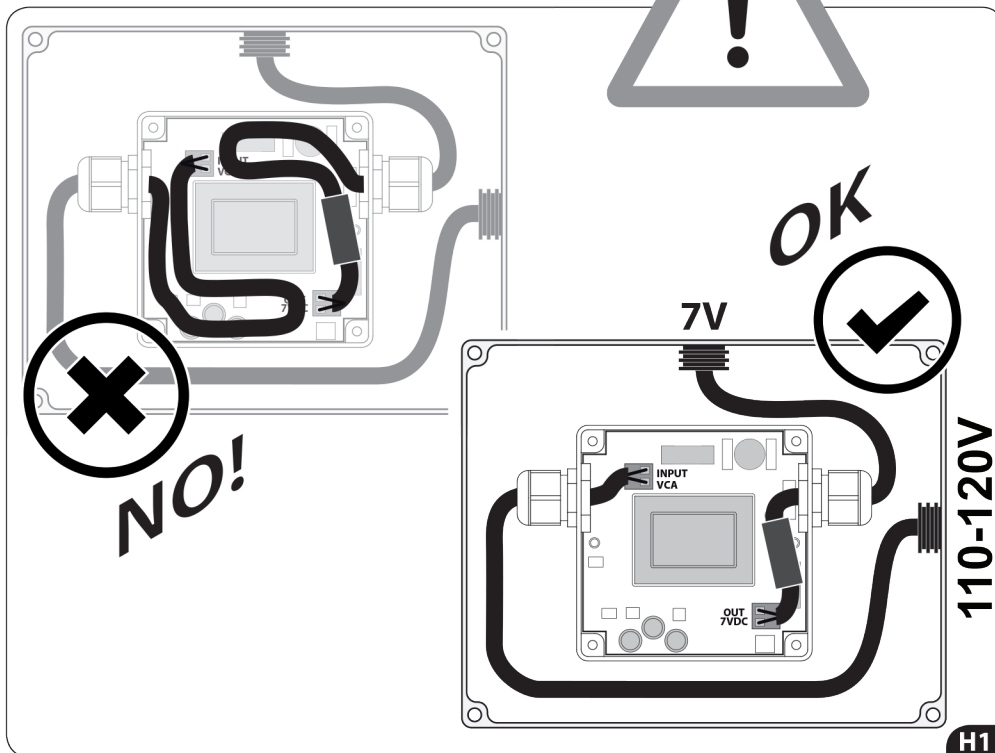
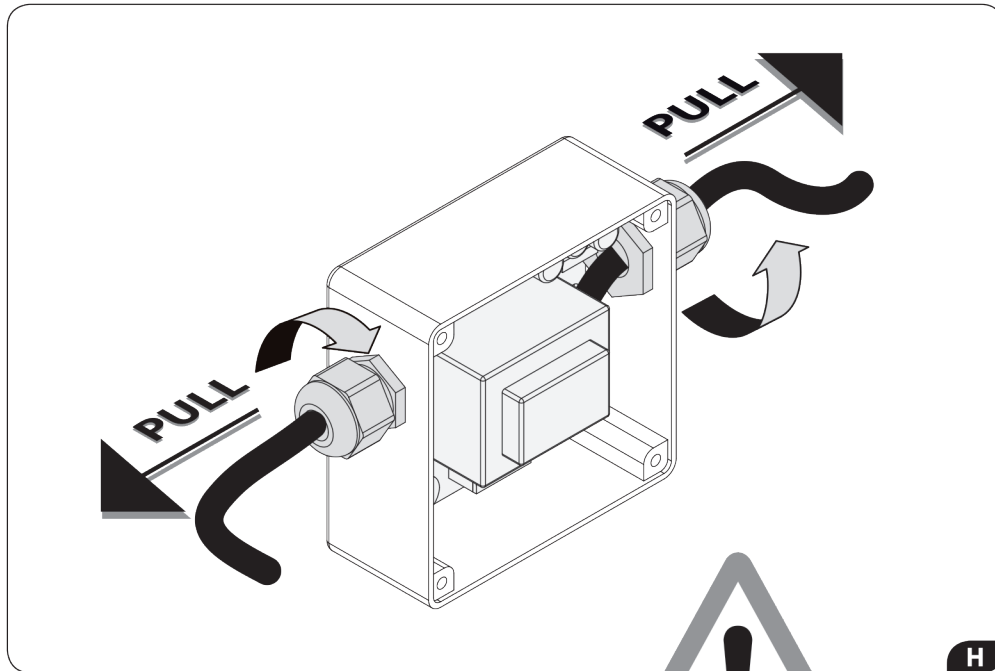
DREAM LIGHT RAIN CANOPY INSTALLATION



DREAM LIGHT RAIN CANOPY INSTALLATION

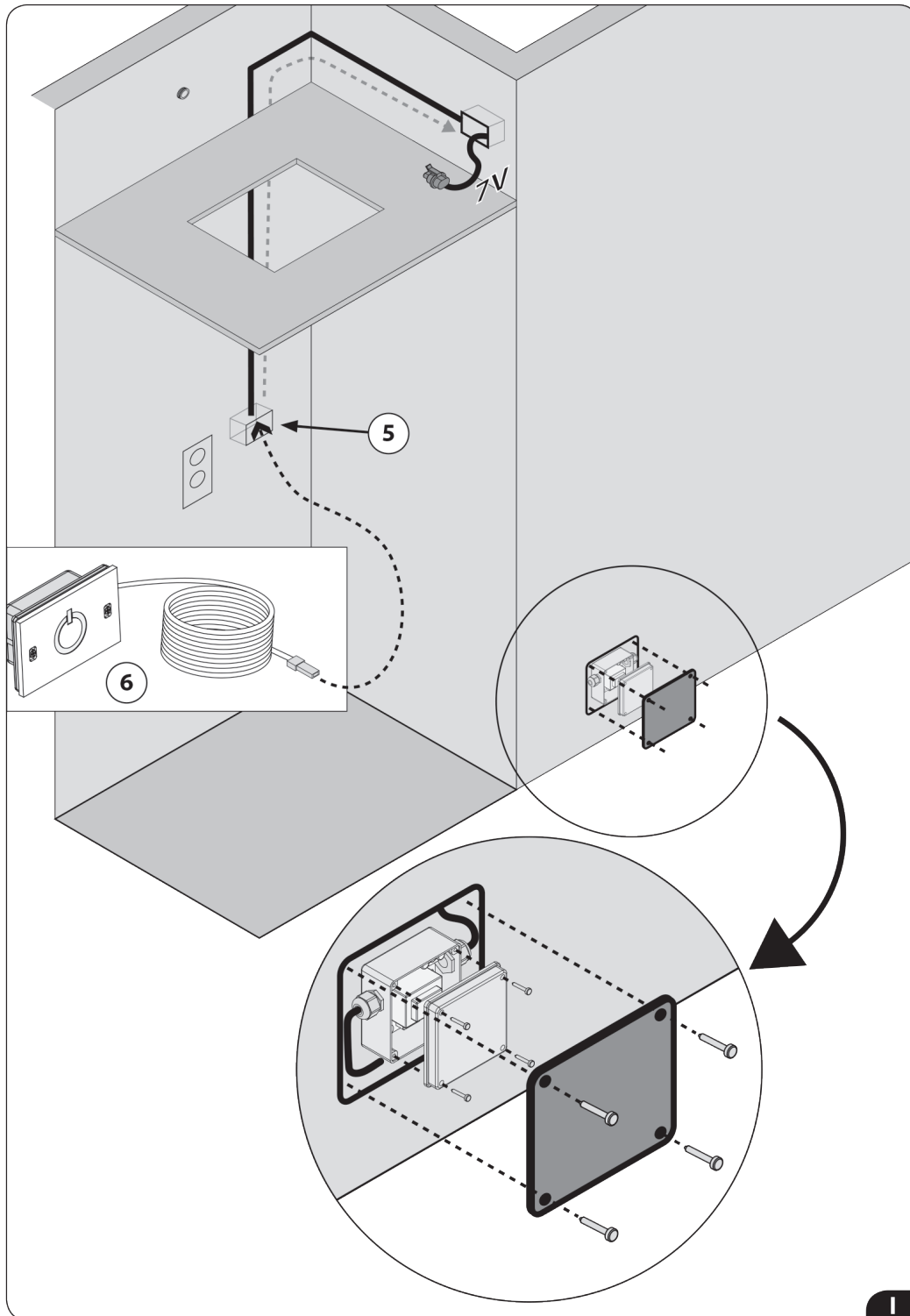


DREAM LIGHT RAIN CANOPY INSTALLATION



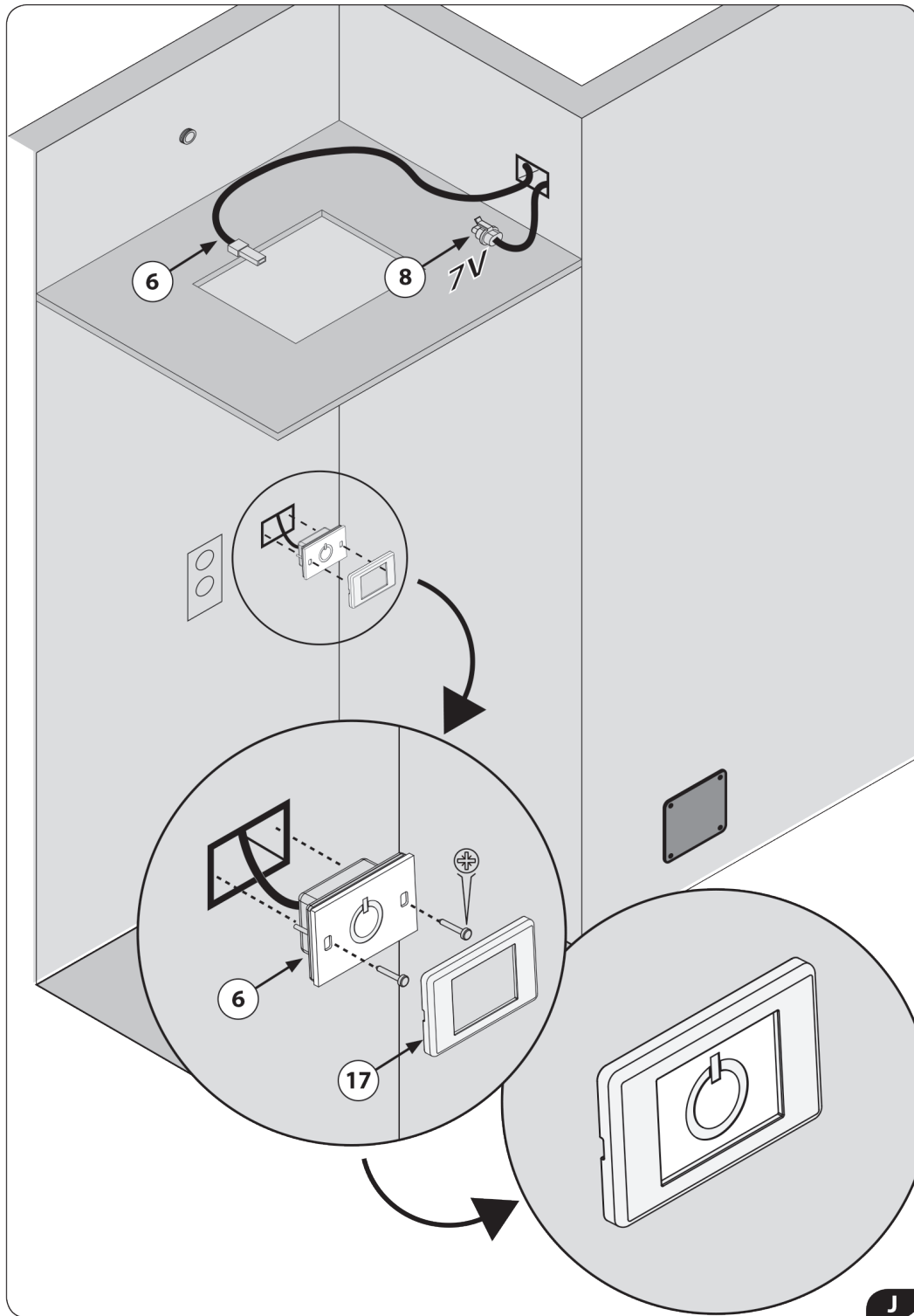
DREAM LIGHT RAIN CANOPY INSTALLATION

TOUCH PANEL OPTION INSTALL



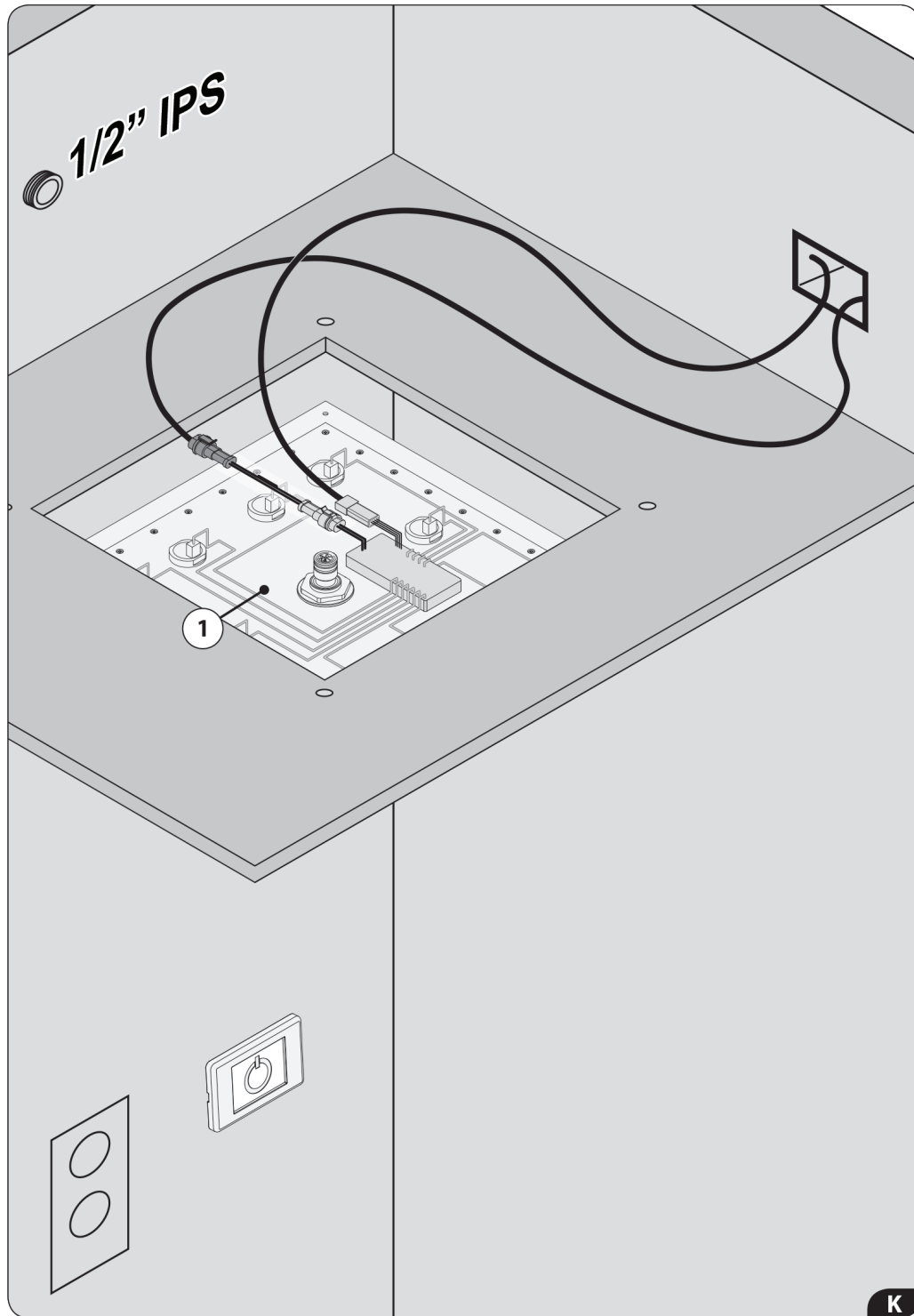
DREAM LIGHT RAIN CANOPY INSTALLATION

TOUCH PANEL OPTION INSTALL



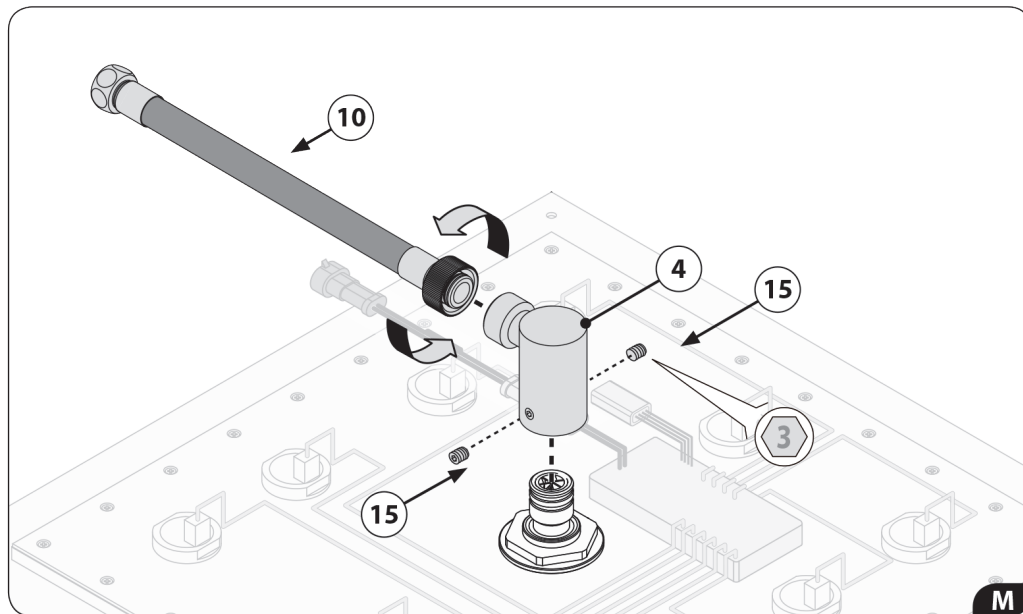
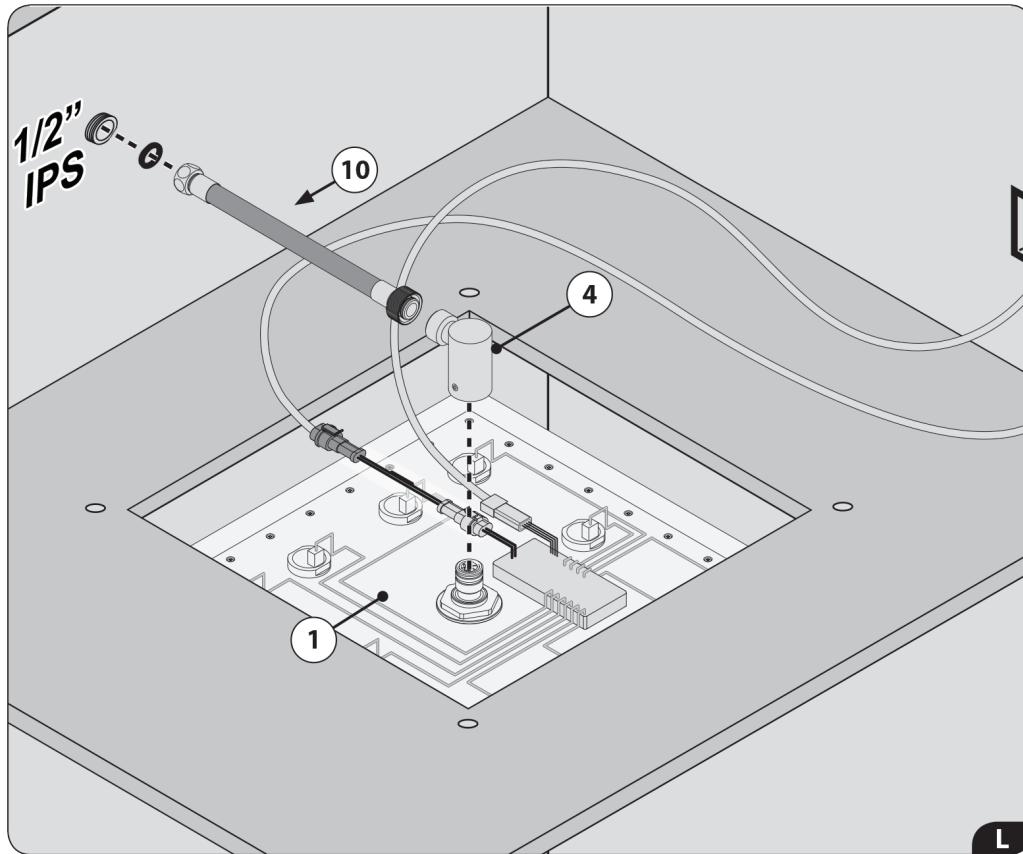
DREAM LIGHT RAIN CANOPY INSTALLATION

ELECTRICAL AND PLUMBING ASSEMBLY

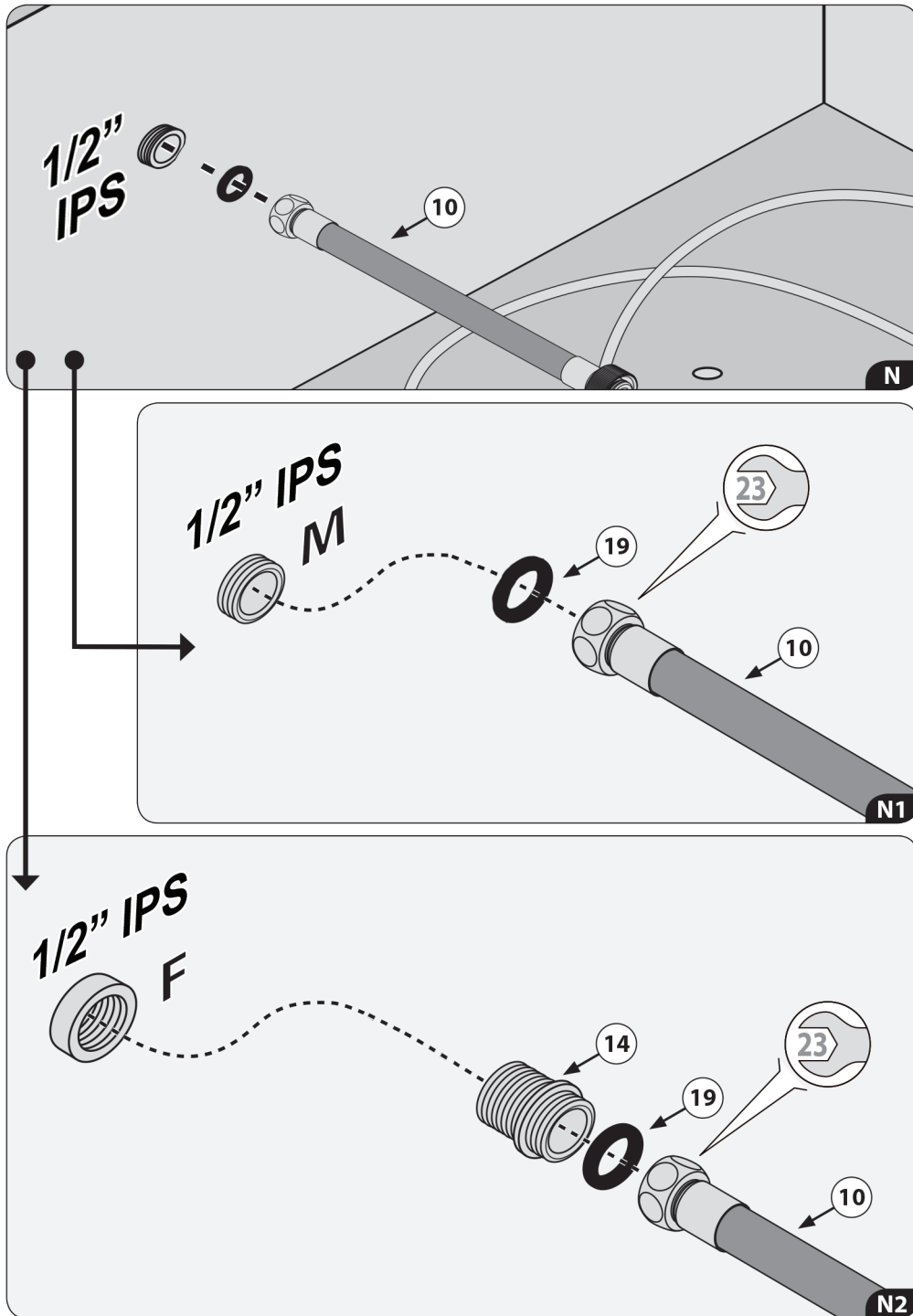


DREAM LIGHT RAIN CANOPY INSTALLATION

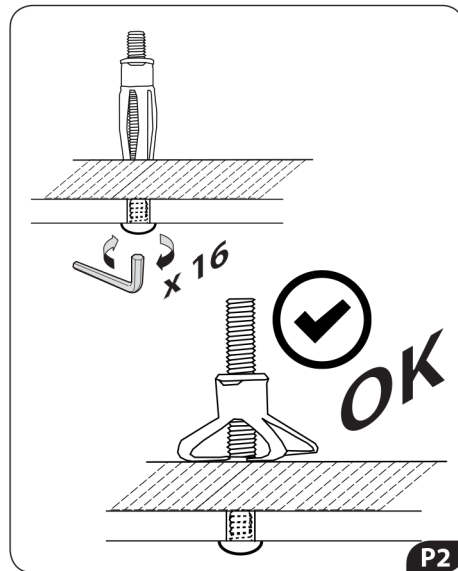
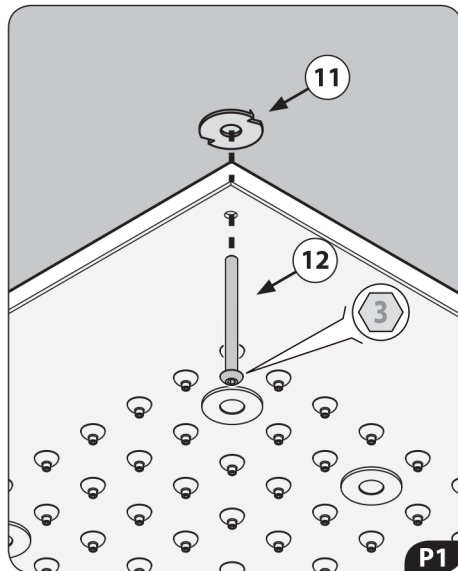
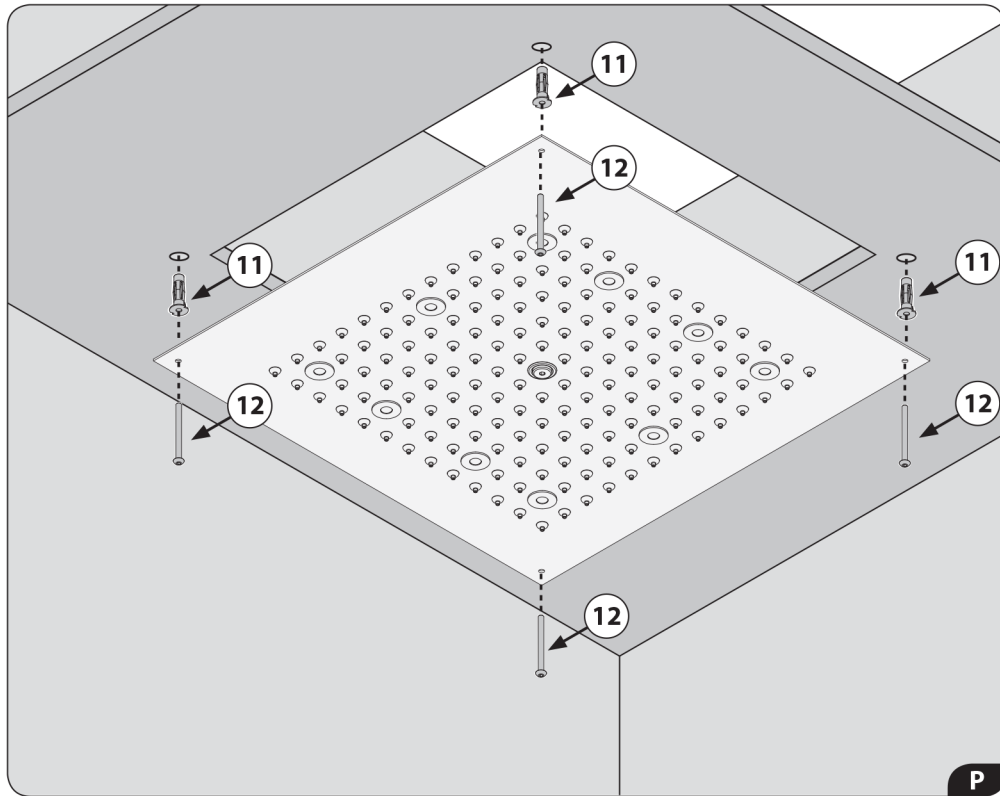
ELECTRICAL AND PLUMBING ASSEMBLY



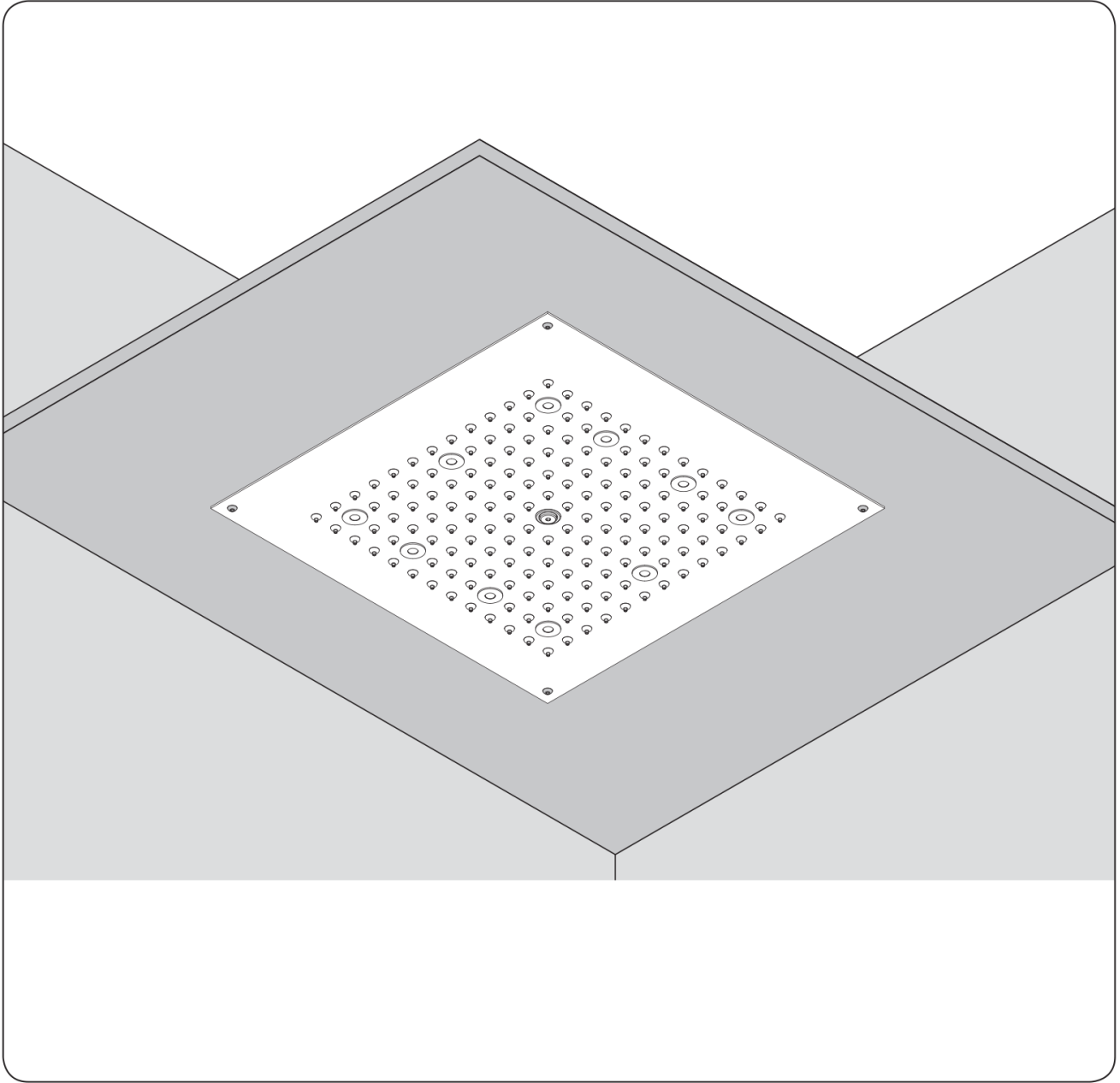
DREAM LIGHT RAIN CANOPY INSTALLATION



DREAM LIGHT RAIN CANOPY INSTALLATION

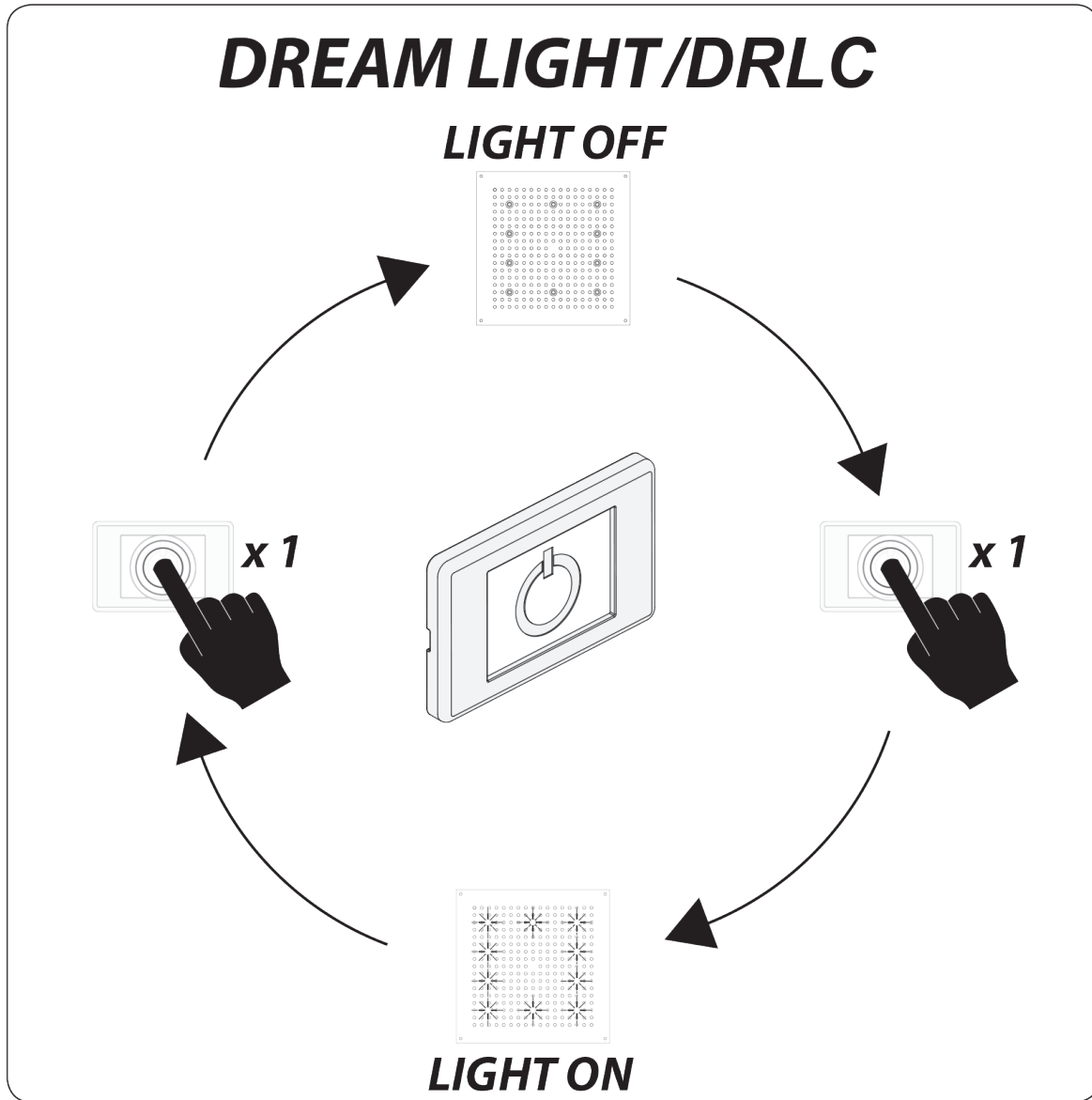


DREAM LIGHT RAIN CANOPY INSTALLATION



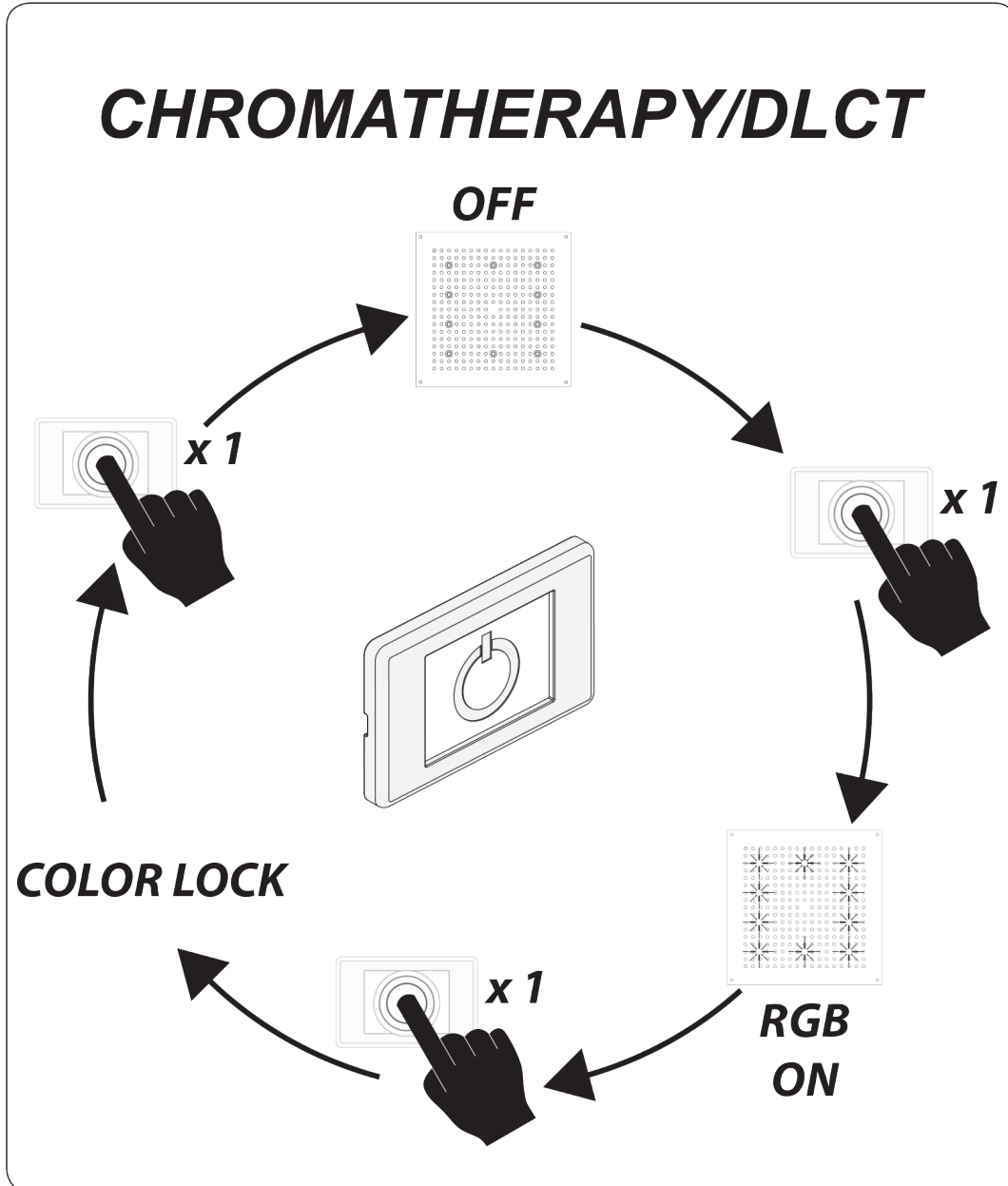
DREAM LIGHT RAIN CANOPY INSTALLATION

CONTROL KEYPAD OPERATION



If no commands are sent to the system, a time-out function automatically shuts the system off after approx. 30 minutes.

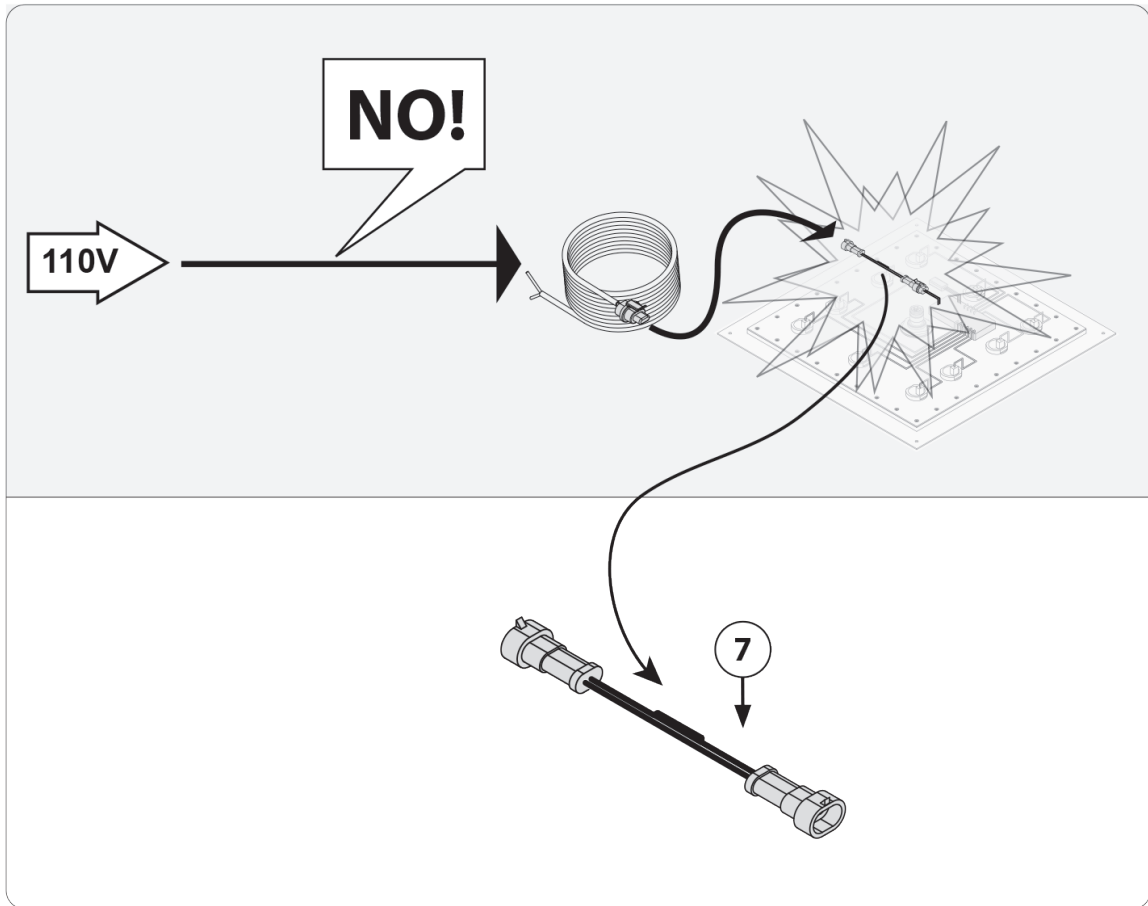
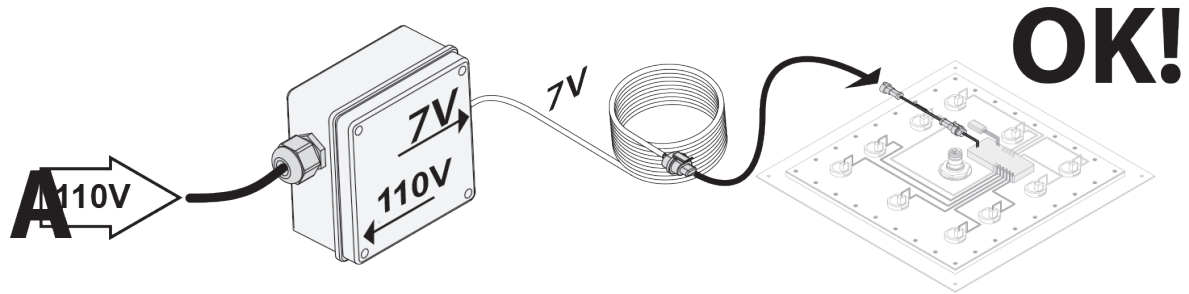
DREAM LIGHT RAIN CANOPY INSTALLATION
CONTROL KEYPAD OPERATION



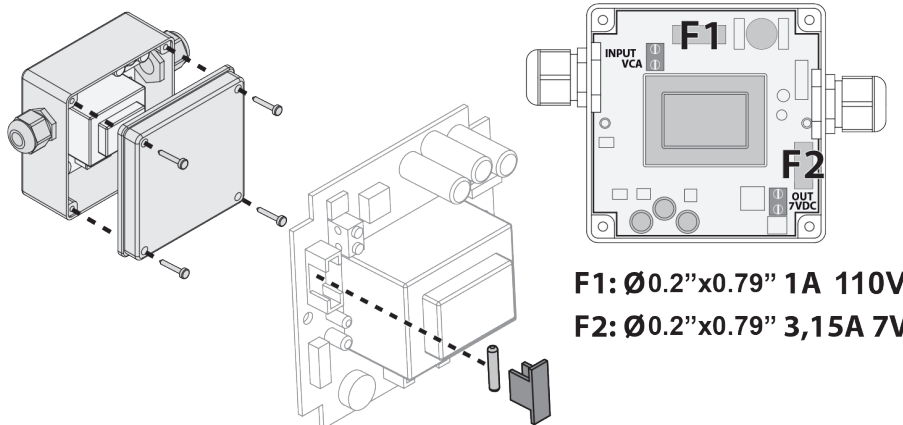
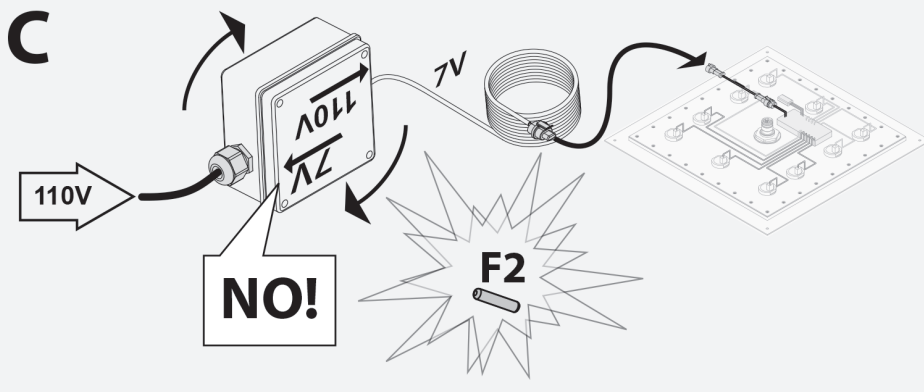
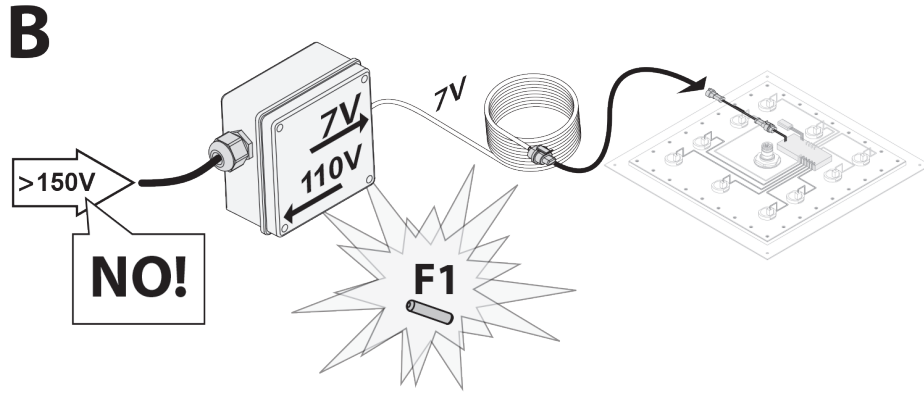
If no commands are sent to the system, a time-out function automatically shuts the system off after approx. 30 minutes.

DREAM LIGHT RAIN CANOPY INSTALLATION

In case of LEDs non-functioning check the installation and replace the fuses as illustrated

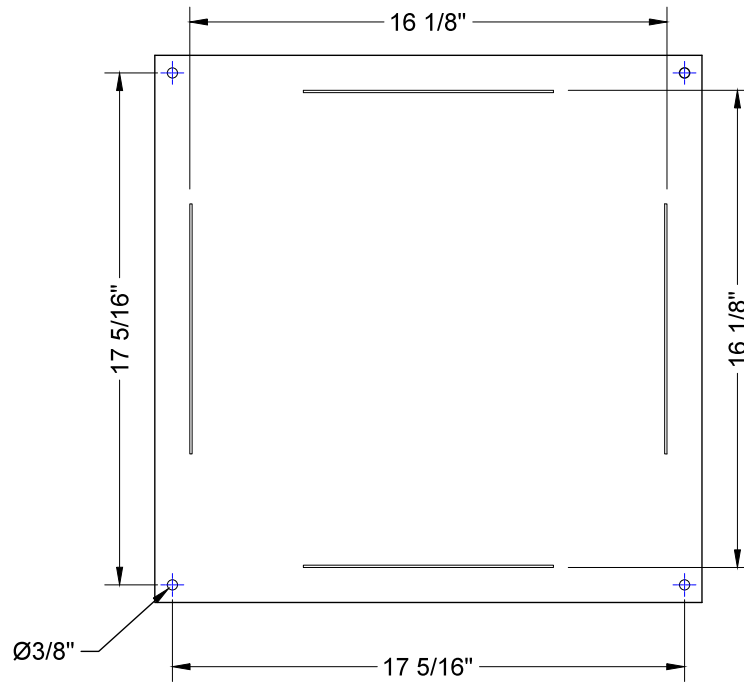


DREAM LIGHT RAIN CANOPY INSTALLATION

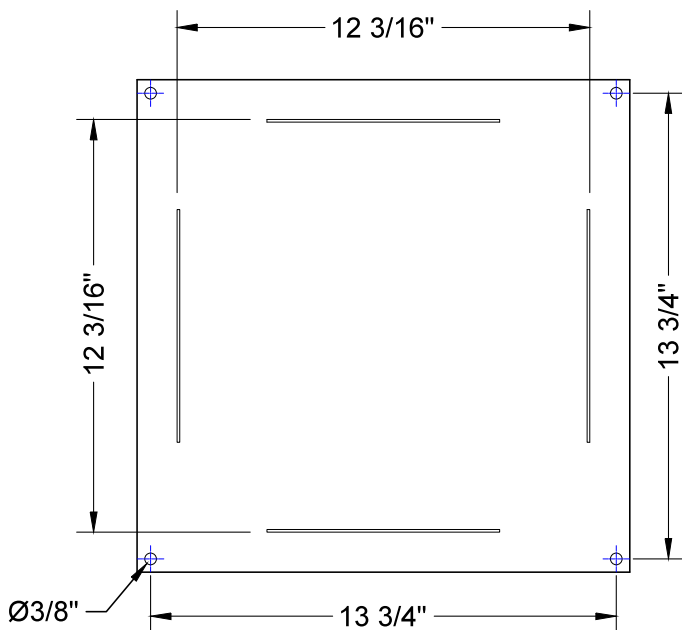


DREAM LIGHT RAIN CANOPY TEMPLATES

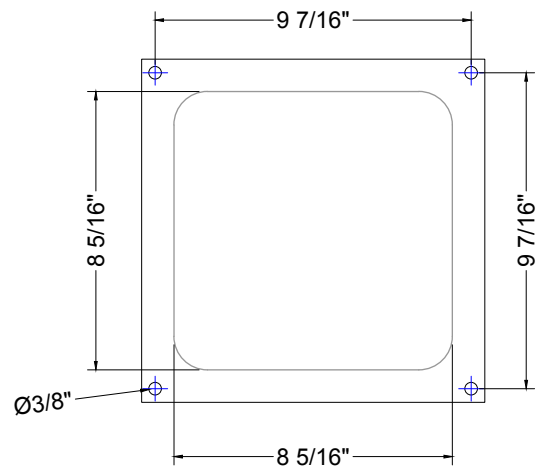
TEMPLATE FOR 1616-DLRC, & 1616-DLCT



TEMPLATE FOR 1212-DLRC, & 1212-DLCT

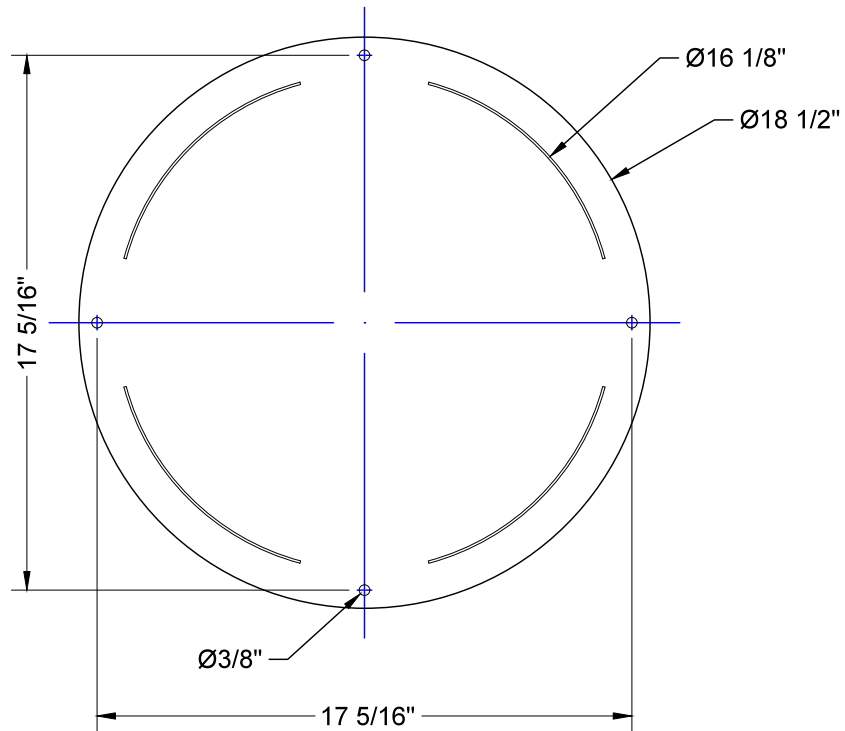


TEMPLATE FOR 88-DLRC, & 88-DLCT

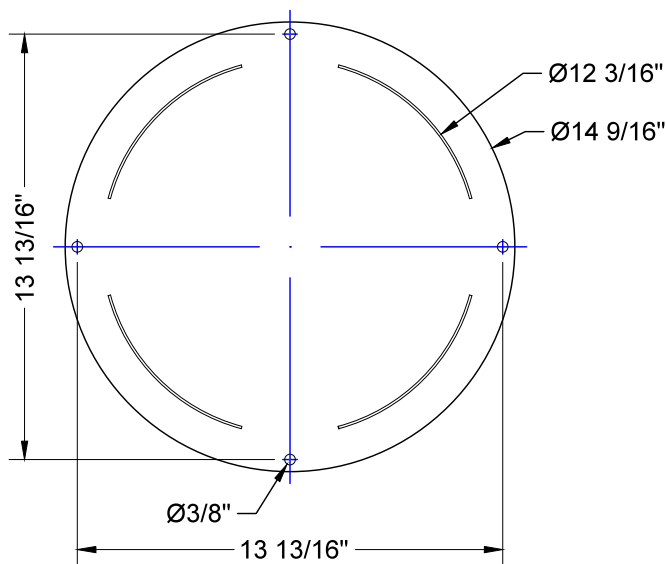


DREAM LIGHT RAIN CANOPY TEMPLATES

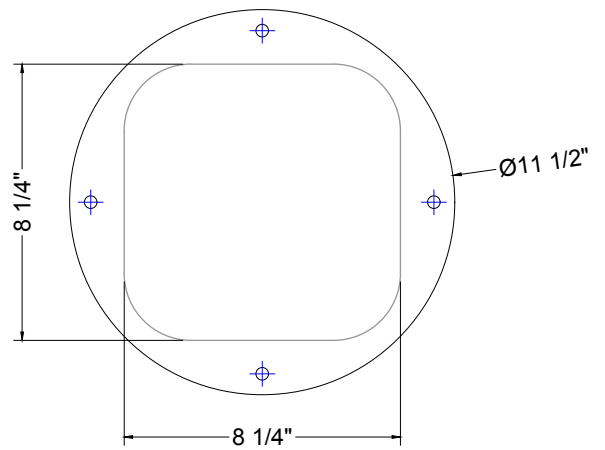
TEMPLATE FOR 16R-DLRC, & 16R-DLCT



TEMPLATE FOR 12R-DLRC, & 12R-DLCT

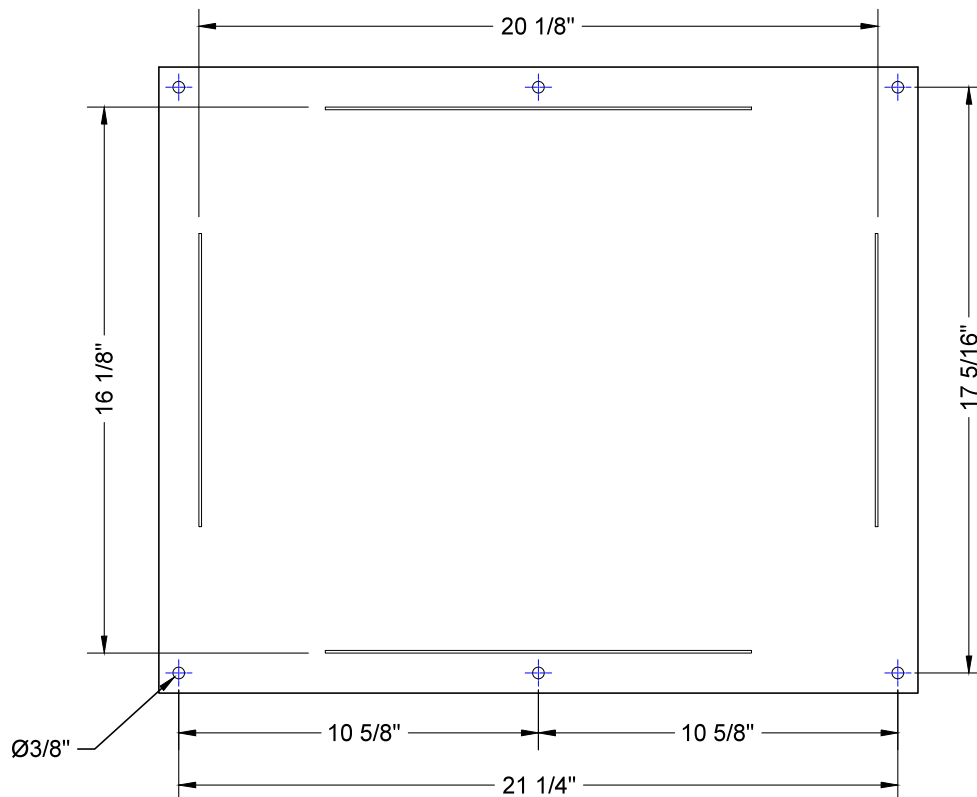


TEMPLATE FOR 8R-DLRC, & 8R-DLCT



DREAM LIGHT RAIN CANOPY TEMPLATES

TEMPLATE FOR 1620-DLRC, & 1620-DLCT



Over Fifty Years of Excellence Proud to be an American Company



CARE INSTRUCTIONS

In order to maintain the high quality finish of JACLO products, please adhere to the following product care instructions:

Cleaning JACLO products: For routine cleaning, simply use a soft damp cloth and common household soap, then rinse and dry. Proper care of your product is important because most water contains calcium that deposits on surfaces, forming unpleasant spots. This can be avoided by routine cleaning and drying after every use. Use only mild soap detergents. JACLO products may be periodically waxed with non abrasive compounds, such as Flitz® faucet wax.

Never use abrasive cleaners, bleach, disinfectants or cleaning products containing alcohol, ammonia, hydrochloric or phosphoric acids as they will damage the product finish.

Please note: Your product warranty may not be valid if the above cleaning guidelines are not followed.

WARRANTY

Residential Warranty: Your new plumbing fixture is warranted by JACLO INDUSTRIES, 129 Dermody Street, Cranford, NJ 07016. This warranty is extended to original consumer purchasers only. This warranty gives you specific legal rights, and you may also have other rights which vary from state to state.

The product (including the finish on the product but excluding any custom finishes and any installation hardware not supplied by JACLO) is warranted to be free from defects in material or workmanship under normal use and service for the lifetime* of the fixture, so long as the original consumer purchaser owns it. JACLO's sole obligation under this or any other warranty is limited to repairing or replacing at JACLO's option, without labor, any part or parts of the fixture which fail to conform to such warranty.

JACLO WILL NOT BE LIABLE FOR ANY CONSEQUENTIAL OR INCIDENTAL DAMAGES CAUSED BY A BREACH OF THIS OR ANY OTHER WARRANTY.

Some states do not allow the exclusion of limitation of incidental or consequential damages, so the above limitation may not apply to you.

To secure warranty performance, the original consumer purchaser must have the fixture properly and professionally installed in accordance with all codes and installation instructions.

Items and actions that will void the JACLO warranty are:

- Abuse, misuse, neglect and accidental damage
- Improper cleaning, care and maintenance of the fixture
- Alteration of the fixture in any way including removal of a flow regulator/restrictor

All warranty claims must be made in accordance with the JACLO return policy (see below).

JACLO does not authorize any distributor, retailer or other person to modify this warranty or assume any liability on its behalf with respect to it. Any question regarding the operation of warranty should be addressed to JACLO's warranty department.

*Due to the unpredictable environment, all kitchen drains, strainers and garbage disposal flanges are warranted for the period of one year from date of purchase from an authorized JACLO dealer.

Un-lacquered Brass (ULB) is a living finish and is excluded from any finish warranty.

Commercial Warranty: JACLO offers the above warranty for a period of one year from date of purchase to purchasers of products for industrial, commercial, business and all non-private residential uses.

