

## S-AS 99 Stainless Steel Site Sizeable Series

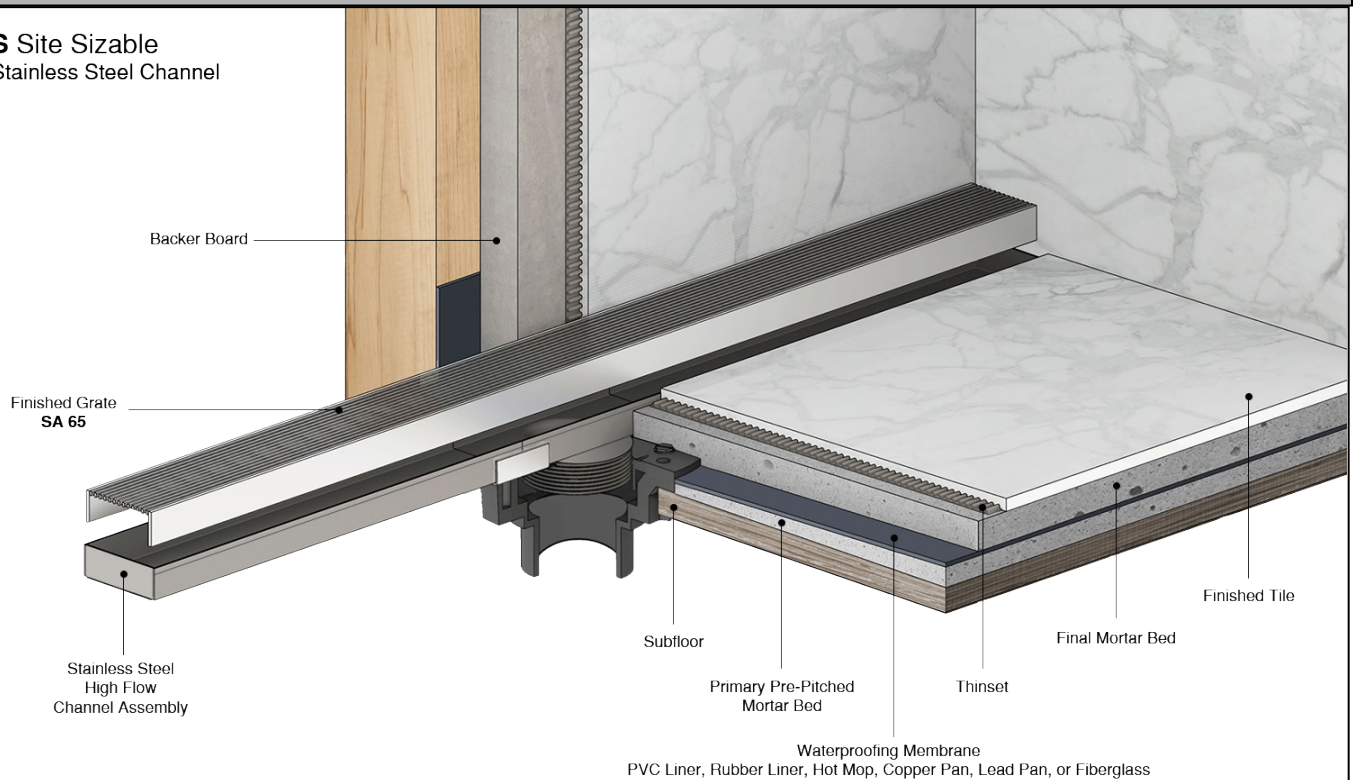
- S-AS 9936 - 36" Complete Kit
- S-AS 9948 - 48" Complete Kit
- S-AS 9960 - 60" Complete Kit
- S-AS 9972 - 72" Complete Kit
- S-AS 9996 - 96" Complete Kit

### Features

- |   |   |
|---|---|
| <ul style="list-style-type: none"> <li>▪ 12 gauge, 316L stainless steel Wedge Wire grate</li> <li>▪ Modify length and outlet location on site</li> <li>▪ Indoor or outdoor use</li> <li>▪ Stainless steel channel</li> <li>▪ Works with 3" clamp down floor with 4" throat/strainer size <i>(included)</i></li> </ul> | <ul style="list-style-type: none"> <li>▪ Compatible with: PVC Liner, Rubber Liner (Chloraloy®), Hot Mop, Lead Pan, Copper Pan, or Fiberglass</li> <li>▪ Flow rate - 21 gpm per outlet                     <ul style="list-style-type: none"> <li>▫ Flow rate measured at outlet only. Measurement does not account for water in channel or sheeting on shower floor.</li> <li>▫ Additional outlets can be added and combined into a larger waste line to increase flow rates</li> </ul> </li> </ul> |
|---|---|

### Installation

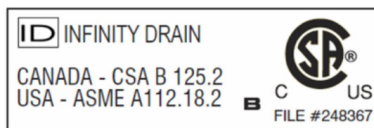
#### S Site Sizeable Stainless Steel Channel



### Care & Maintenance

S-AS 99 stainless steel linear drain top grates are made of 316L stainless steel. This material is non-porous, hygienic, rust-free and extremely durable. Bar Keepers Friend® and Soft Scrub® are commonly available products that can be used to protect and clean your Satin Stainless drain cover. For stains that have been left for an excessive amount of time, stronger cleaning agents such as Compound 302® may be needed. For all finishes we recommend using mild soap and a soft cloth for cleaning. DO NOT use any abrasive cleaners, scrub pads or allow household cleaning agents, such as bleach, to sit on the drain cover for a long period of time. Stainless steel does not rust. External factors, such as contamination from other highly ferrous metals, built up road salt, sea salt, or chlorine may have caused "surface" rust which can be removed using Barkeepers Friend®, Soft Scrub® with Bleach, or Compound 302®. Always follow the directions on the bottle. Follow proper maintenance procedures to prevent excessive surface rust. In areas of frequent exposure to salt, chlorine, and other chemical compounds, maintenance of the stainless grates should be performed at least 2-3 times per year.

**Infinity Drain**  
145 Dixon Avenue  
Amityville, NY 11701  
Phone: 516.767.6786  
Fax: 516.740.3066  
www.Infinity Drain.com



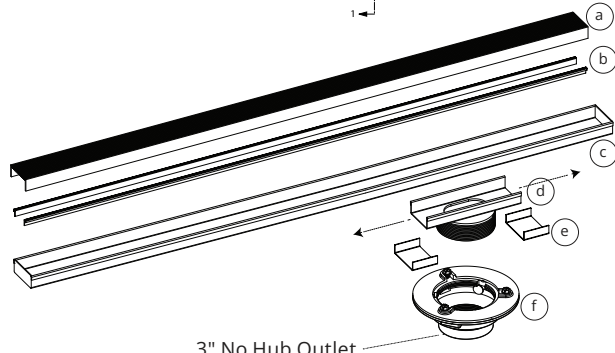
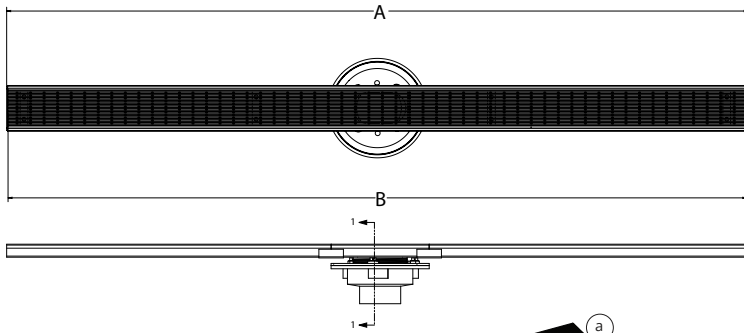
NOTE: Installer must verify all rough-in dimensions prior to installation and consult local and national codes. Conformity and compliance to local and national codes are the responsibility of the installer.

# ID Infinity Drain

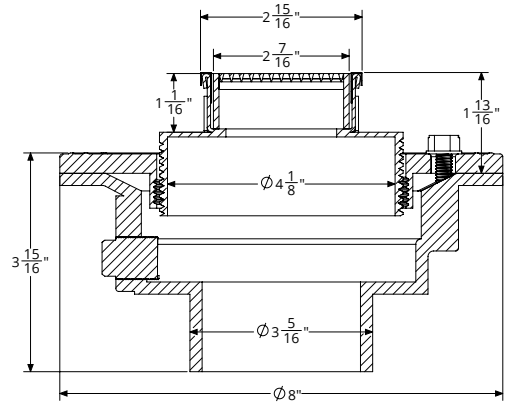
S-AS 9936

S-AS 9948

S-AS 9960



3" No Hub Outlet



## SECTION A-A

- Ⓐ SA 65 - Stainless Steel Grate
- Ⓑ CT - Channel Trim
- Ⓒ LC 65 - Stainless Steel Channel (ships as one piece)
- Ⓓ LF 99 - Stainless Steel Outlet Section (High Flow)
- Ⓔ GJS 65 - Stainless Steel Joiner Strip

- ① CDI 43W / CDP 43W / CDA 43W  
4 inch throat, 3 inch No Hub Outlet  
Clamp Down Drain Assembly

INCLUDED IN KIT SKU

(Material can be Cast Iron, ABS, or PVC)\*

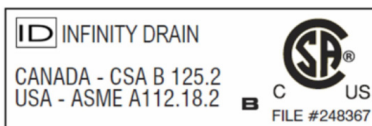
S-AS 99 Series is designed to connect to a 3" waste line.

Model Number	Complete Kit Contents	A Maximum Overall Length	B Maximum Grate Length	C (Minimum Height Above Waterproofing) * All heights can be adjusted upwards an additional 1-1/4"
<input type="checkbox"/> S-AS 9936-I <input type="checkbox"/> S-AS 9936-A <input type="checkbox"/> S-AS 9936-P	1 - SA 6536 Stainless Steel Grate 1 - LC 6528 Stainless Steel Channel 1 - LF 99 8" Stainless Steel Outlet Section 2 - GJS 65 Stainless Steel Joiner Strip 1 - ZSIKA M-1 Sealant 2 - CT 36 Channel Trims 1 - AKEY Lift Out Key 1 - 4" Throat, 3" No Hub Outlet, Drain Body (CDI 43 W/CDA 43 W/CDP 43 W)	36"	35 7/8"	With CDI 43 W: 1-13/16" With CDA 43 W: 1-13/16" With CDP 43 W: 1-13/16"
<input type="checkbox"/> S-AS 9948-I <input type="checkbox"/> S-AS 9948-A <input type="checkbox"/> S-AS 9948-P	1 - SA 6548 Stainless Steel Grate 1 - LC 6540 Stainless Steel Channel 1 - LF 99 8" Stainless Steel Outlet Section 2 - GJS 65 Stainless Steel Joiner Strip 1 - ZSIKA M-1 Sealant 2 - CT 48 Channel Trims 1 - AKEY Lift Out Key 1 - 4" Throat, 3" No Hub Outlet, Drain Body (CDI 43 W/CDA 43 W/CDP 43 W)	48"	47 7/8"	With CDI 43 W: 1-13/16" With CDA 43 W: 1-13/16" With CDP 43 W: 1-13/16"
<input type="checkbox"/> S-AS 9960-I <input type="checkbox"/> S-AS 9960-A <input type="checkbox"/> S-AS 9960-P	1 - SA 6560 Stainless Steel Grate 1 - LC 6552 Stainless Steel Channel 1 - LF 99 8" Stainless Steel Outlet Section 2 - GJS 65 Stainless Steel Joiner Strip 1 - ZSIKA M-1 Sealant 2 - CT 60 Channel Trims 1 - AKEY Lift Out Key 1 - 4" Throat, 3" No Hub Outlet, Drain Body (CDI 43 W/CDA 43 W/CDP 43 W)	60"	59 7/8"	With CDI 43 W: 1-13/16" With CDA 43 W: 1-13/16" With CDP 43 W: 1-13/16"

### Finishes

Satin Stainless (SS)  
  Polished Stainless (PS)  
  Oil Rubbed Bronze (ORB)  
  Satin Bronze (SB)  
  Matte Black (BK)

**Infinity Drain**  
 145 Dixon Avenue  
 Amityville, NY 11701  
 Phone: 516.767.6786  
 Fax: 516.740.3066  
 www.Infinity Drain.com

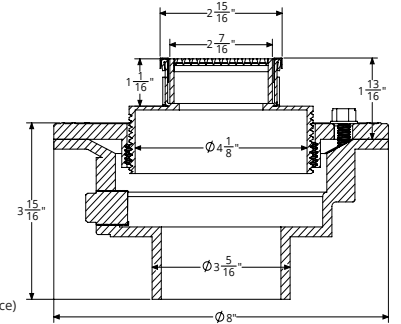
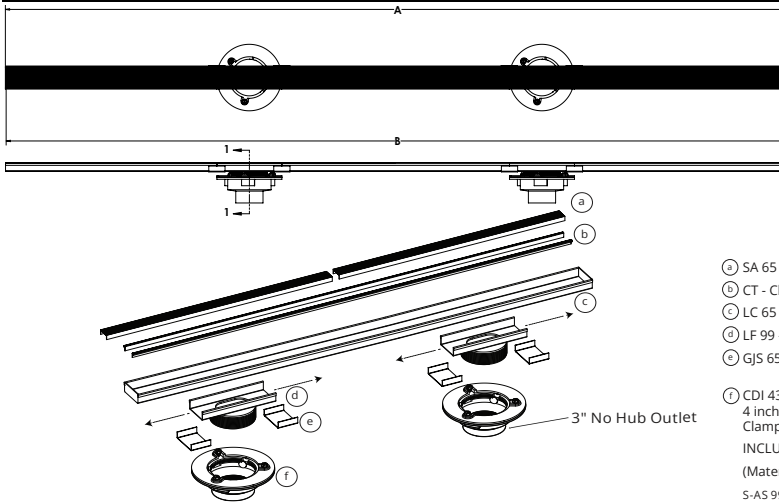


NOTE: Installer must verify all rough-in dimensions prior to installation and consult local and national codes. Conformity and compliance to local and national codes are the responsibility of the installer.

# ID Infinity Drain

## S-AS 9972

## S-AS 9996



### SECTION A-A

- Ⓐ SA 65 - Stainless Steel Grate
- Ⓑ CT - Channel Trim
- Ⓒ LC 65 - Stainless Steel Channel (ships as one piece)
- Ⓓ LF 99 - Stainless Steel Outlet Section (High Flow)
- Ⓔ GJS 65 - Stainless Steel Joiner Strip
- Ⓕ CDI 43W/ CDP 43W/ CDA 43W  
4 inch throat, 3 inch No Hub Outlet  
Clamp Down Drain Assembly  
INCLUDED IN KIT SKU  
(Material can be Cast Iron, ABS, or PVC)\*  
S-AS 99 Series is designed to connect to a 3" waste line.

Model Number	Complete Kit Contents	A Maximum Overall Length	B Maximum Grate Length	C (Minimum Height Above Waterproofing) * All heights can be adjusted upwards an additional 1-1/4"
<input type="checkbox"/> S-AS 9972-I <input type="checkbox"/> S-AS 9972-A <input type="checkbox"/> S-AS 9972-P	1 - SA 6572 Stainless Steel Grate 1 - LC 6564 Stainless Steel Channel 2 - LF 99 8" Stainless Steel Outlet Sections 4 - GJS 65 Stainless Steel Joiner Strips 1 - ZSIKA M-1 Sealant 2 - CT 72 Channel Trims 1 - AKEY Lift Out Key 2 - 4" Throat, 3" No Hub Outlet, Drain Body (CDI 43 W/CDA 43 W/CDP 43 W)	72"	71 7/8"	With CDI 43 W: 1-13/16" With CDA 43 W: 1-13/16" With CDP 43 W: 1-13/16"
<input type="checkbox"/> S-AS 9996-I <input type="checkbox"/> S-AS 9996-A <input type="checkbox"/> S-AS 9996-P	2 - SA 6548 Stainless Steel Grate 1 - LC 6588 Stainless Steel Channel 2 - LF 99 8" Stainless Steel Outlet Sections 4 - GJS 65 Stainless Steel Joiner Strips 1 - ZSIKA M-1 Sealant 2 - CT 96 Channel Trims 1 - AKEY Lift Out Key 2 - 4" Throat, 3" No Hub Outlet, Drain Body (CDI 43 W/CDA 43 W/CDP 43 W)	96"	47 7/8" (x 2)	With CDI 43 W: 1-13/16" With CDA 43 W: 1-13/16" With CDP 43 W: 1-13/16"

### Finishes

Satin Stainless (SS)  
  Polished Stainless (PS)  
  Oil Rubbed Bronze (ORB)  
  Satin Bronze (SB)  
  Matte Black (BK)

### Optional Components

UCP 4      Universal 4" Clamping Plate  
 TNRN-4     4" Cast Iron Extension Nipple

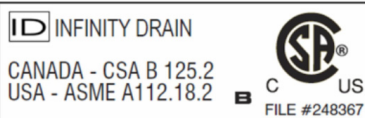
### Add Clamp Down Drain

CDA 42      Clamp Down Drain ABS  
 CDI 42      Clamp Down Drain Cast Iron  
 CDP 42      Clamp Down Drain PVC  
 CDA 43 W    Clamp Down Drain ABS  
 CDI 43 W    Clamp Down Drain Cast Iron  
 CDP 43 W    Clamp Down Drain PVC

### Available components for longer lengths

SA 6536    36" Wedge Wire Grate	SE 65      2" Stainless Steel End Section
SA 6548    48" Wedge Wire Grate	GJS 65     Stainless Steel Joiner Strip
SA 6560    60" Wedge Wire Grate	SLA 65     Stainless Steel 90° Angle Joiner
SC 6548    48" Stainless Open Ended Channel	LF 99      8" Stainless Steel Outlet Section
SC 6596    96" Stainless Open Ended Channel	CT 36      36" Channel Trim
LC 6528    28" Stainless Closed Channel	CT 48      48" Channel Trim
LC 6540    40" Stainless Closed Channel	CT 60      60" Channel Trim
LC 6552    52" Stainless Closed Channel	CT 72      72" Channel Trim
LC 6564    64" Stainless Closed Channel	CT 96      96" Channel Trim
LC 6588    88" Stainless Closed Channel	

**Infinity Drain**  
 145 Dixon Avenue  
 Amityville, NY 11701  
 Phone: 516.767.6786  
 Fax: 516.740.3066  
 www.InfinityDrain.com



NOTE: Installer must verify all rough-in dimensions prior to installation and consult local and national codes. Conformity and compliance to local and national codes are the responsibility of the installer.