



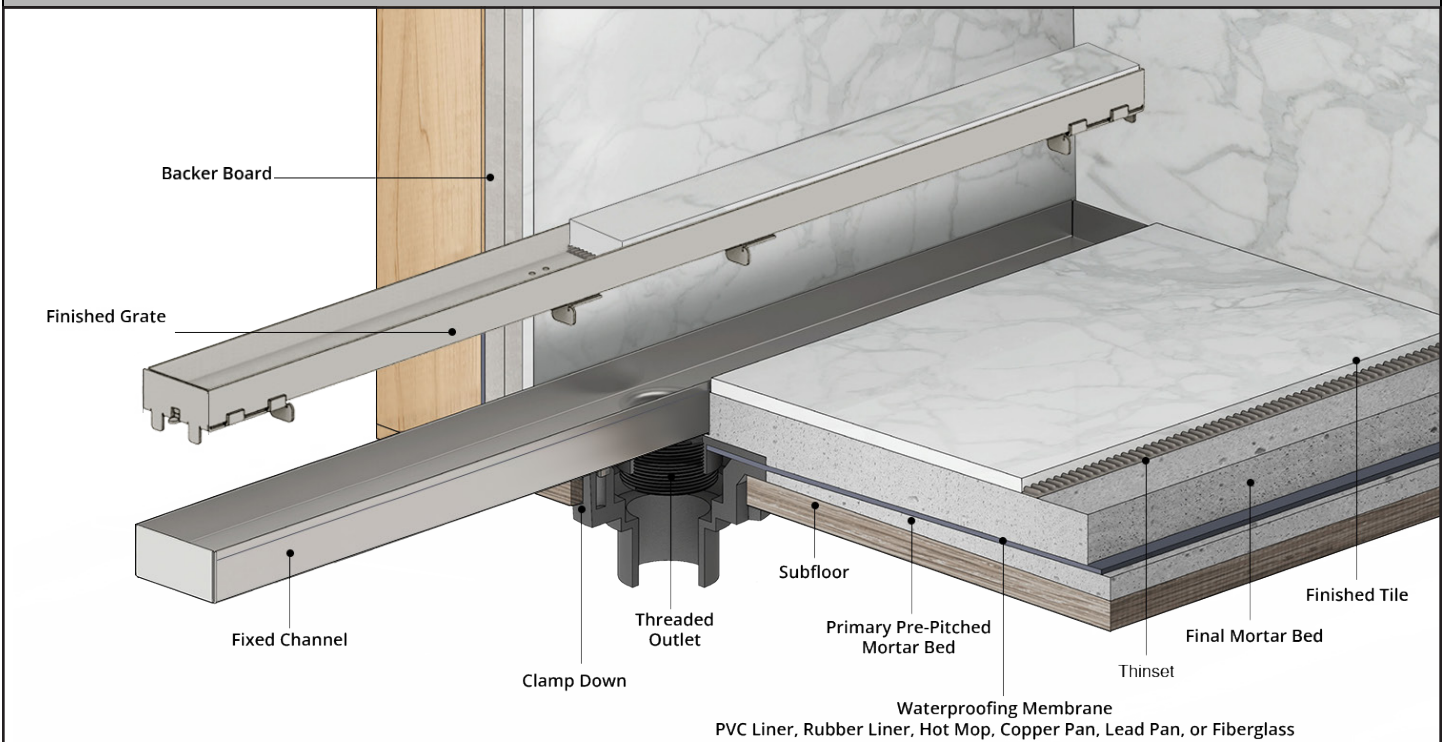
FXTIF 65 Fixed Length Series

- FXTIF 6520 - 20" Complete Kit
- FXTIF 6540 - 40" Complete Kit
- FXTIF 6548 - 48" Complete Kit
- FXTIF 6560 - 60" Complete Kit

Features

- Pre-pitched channel with fixed lengths and fixed center outlet
- Indoor or outdoor use
- 16 gauge, 304L stainless steel channel
- 12 gauge, 304L stainless steel Tile Insert Frame for 3/4" Tile
- Works with 2" clamp down floor with 2" throat/strainer size *(NOT included)*
- Compatible with: PVC Liner, Rubber Liner (Chloraloy®), Hot Mop, Lead Pan, Copper Pan, or Fiberglass
- Grate can be removed completely for cleaning
- Flow rate - 9 gpm per outlet
 - Flow rate measured at outlet only. Measurement does not account for water in channel or sheeting on shower floor.

Installation



Care & Maintenance

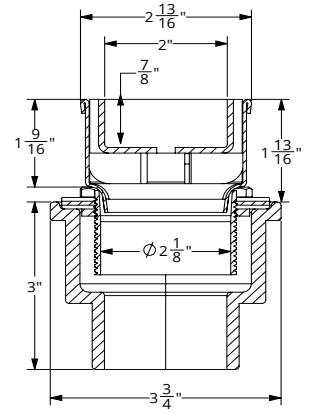
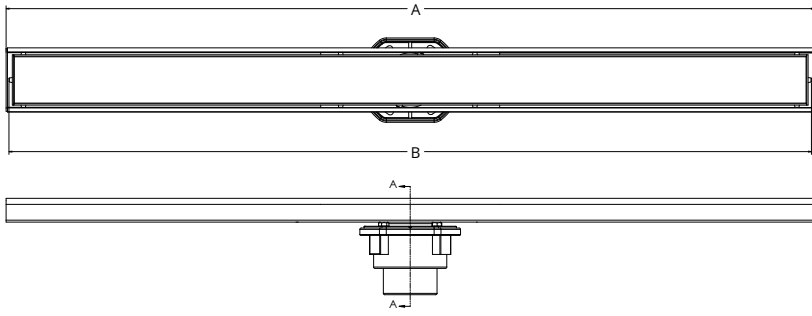
FXTIF 65 stainless steel linear drain top grates are made of 304L stainless steel. This material is non-porous, hygienic, rust-free and extremely durable. Bar Keepers Friend® and Soft Scrub® are commonly available products that can be used to protect and clean your Satin Stainless drain cover. For stains that have been left for an excessive amount of time, stronger cleaning agents such as Steel Brite® may be needed. For all finishes we recommend using mild soap and a soft cloth for cleaning. DO NOT use any abrasive cleaners, scrub pads or allow household cleaning agents, such as bleach, to sit on the drain cover for a long period of time. Stainless steel does not rust. External factors, such as contamination from other highly ferrous metals, built up road salt, sea salt, or chlorine may have caused "surface" rust which can be removed using Barkeepers Friend®, Soft Scrub®, or Steel Brite Cleaner. Always follow the directions on the bottle. Follow proper maintenance procedures to prevent excessive surface rust. In areas of frequent exposure to salt, chlorine, and other chemical compounds, maintenance of the stainless grates should be performed at least 2-3 times per year.

Infinity Drain
145 Dixon Avenue
Amityville, NY 11701
Phone: 516.767.6786
Fax: 516.740.3066
www.infinitydrain.com

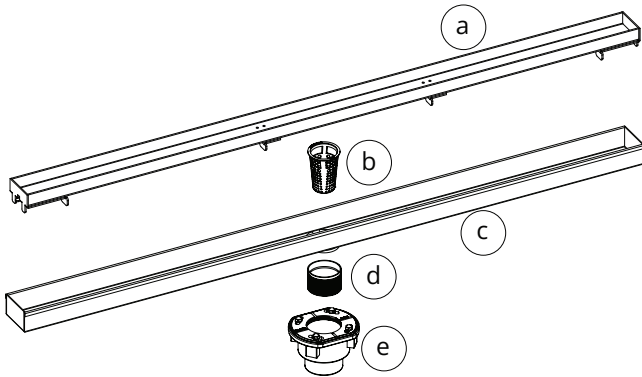


NOTE: Installer must verify all rough-in dimensions prior to installation and consult local and national codes. Conformity and compliance to local and national codes are the responsibility of the installer.

ID Infinity Drain®



SECTION A-A



- (a) TA 65 - Stainless Steel Tile Insert Assembly
- (b) HB 65 - Hair Basket
- (c) IC 65 - Stainless Steel Channel
- (d) TNAS - Threaded Nipple
- (e) 2 inch clamp down drain assembly
Not included in kit SKU.
 (Material can be Cast Iron, ABS, or PVC)

Model Number	Complete Kit Contents	A (Maximum Overall Length)	B (Maximum Grate Length)
<input type="checkbox"/> FXTIF 6520	1 - TA 6520 Tile Insert Frame 1 - IC 6520 Fixed Channel 1 - TNAS Threaded Nipple 1 - HMK-65-A: 1 HB 65 Hair Basket 1 AKEY Lift Out Key	20 1/8"	19 7/8"
<input type="checkbox"/> FXTIF 6540	1 - TA 6540 Tile Insert Frame 1 - IC 6540 Fixed Channel 1 - TNAS Threaded Nipple 1 - HMK-65-A: 1 HB 65 Hair Basket 1 AKEY Lift Out Key	40 1/8"	39 7/8"
<input type="checkbox"/> FXTIF 6548	1 - TA 6548 Tile Insert Frame 1 - IC 6548 Fixed Channel 1 - TNAS Threaded Nipple 1 - HMK-65-A: 1 HB 65 Hair Basket 1 AKEY Lift Out Key	48 1/8"	47 7/8"
<input type="checkbox"/> FXTIF 6560	1 - TA 6560 Tile Insert Frame 1 - IC 6560 Fixed Channel 1 - TNAS Threaded Nipple 1 - HMK-65-A: 1 HB 65 Hair Basket 1 AKEY Lift Out Key	60 1/8"	59 7/8"

Finishes

- Satin Stainless (SS) Polished Stainless (PS) Oil Rubbed Bronze (ORB) Satin Bronze (SB) Matte Black (BK)

Infinity Drain
 145 Dixon Avenue
 Amityville, NY 11701
 Phone: 516.767.6786
 Fax: 516.740.3066
 www.Infinitydrain.com



NOTE: Installer must verify all rough-in dimensions prior to installation and consult local and national codes. Conformity and compliance to local and national codes are the responsibility of the installer.

OPTIONAL COMPONENTS

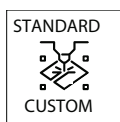
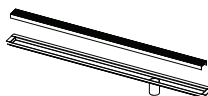
CDI 22 / CDA 22 / CDP 22	Clamp Down Drain Body Assembly in Cast Iron, or ABS, PVC with 2" Throat, 2" No Hub Outlet.
TNAS - 2 / TNAS -3 / TNAS -4	2" Long Threaded Nipple, 3" Long Threaded Nipple 4" Long Threaded Nipple
TNRN -S	Stainless Steel Extension Nipple
TNRN-P	PVC Extension Nipple
UCP 2	Universal 2" Clamping Plate
UCP 42	Universal Reducing Plate (Adapts 4" or 3" existing throat size to 2")
CDIT 22	Clamp Down Drain, Cast Iron, 2" Throat, 2" Threaded Outlet
CDIC 22	Clamp Down Drain, Cast Iron, 2" Throat, 2" Inside Caulk Outlet
CDIS 22	Clamp Down Drain, Cast Iron, Integral Trap 2" Throat, 2" Threaded Side Outlet
CDIQ 42	Clamp Down Drain, Cast Iron, Side Outlet No Trap 4" Throat, 2" Outlet (For use with UCP 42)

CUSTOM FIXED LENGTH SERIES DRAINS



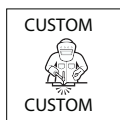
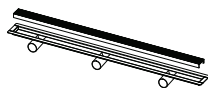
NEW Next Day Custom

- Purchase orders and sign offs received by 10am ET will ship the following day
- Completed custom form must accompany purchase order
- Straight configuration and custom lengths up to 96"
- Grate Styles: Wedge Wire, Offset Slotted, Tile Insert Frame
- Installation types: Fixed (FX)
- Custom outlet placement for multiple outlets
- Finishes: Satin Stainless, Polished Stainless, Oil Rubbed Bronze, Satin Bronze and Matte Black



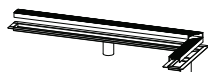
Standard Custom

- Purchase orders and sign offs received by 10am ET will ship within 15 business days
- Completed custom form must accompany purchase order
- Straight configuration and custom lengths up to 96"
- Any standard grate style options
- Installation types: Fixed (FX)
- Custom outlet placement for multiple outlets
- Finishes: Satin Stainless, Polished Stainless, Oil Rubbed Bronze, Satin Bronze and Matte Black



Custom-Custom

- Specialty installation options (Sink drain, Elevator drain, Threshold drain, Vinyl Clamp drain, etc.)
- Any shape and configuration
- Any installation type
- Any outlet type
- Any finish. Standard finishes and color match finish options available.



[CLICK HERE - TO LEARN MORE ABOUT CUSTOM FABRICATION](#)

For additional information regarding Custom Fabrication, Please contact Technical Support at info@infinitydrain.com

Infinity Drain
145 Dixon Avenue
Amityville, NY 11701
Phone: 516.767.6786
Fax: 516.740.3066



NOTE: Installer must verify all rough-in dimensions prior to installation and consult local and national codes. Conformity and compliance to local and national codes are the responsibility of the installer.