

BATHROOM
Sento Floor-Mounted Vessel Filler
G-6315-LM59N

GRAFF[®]

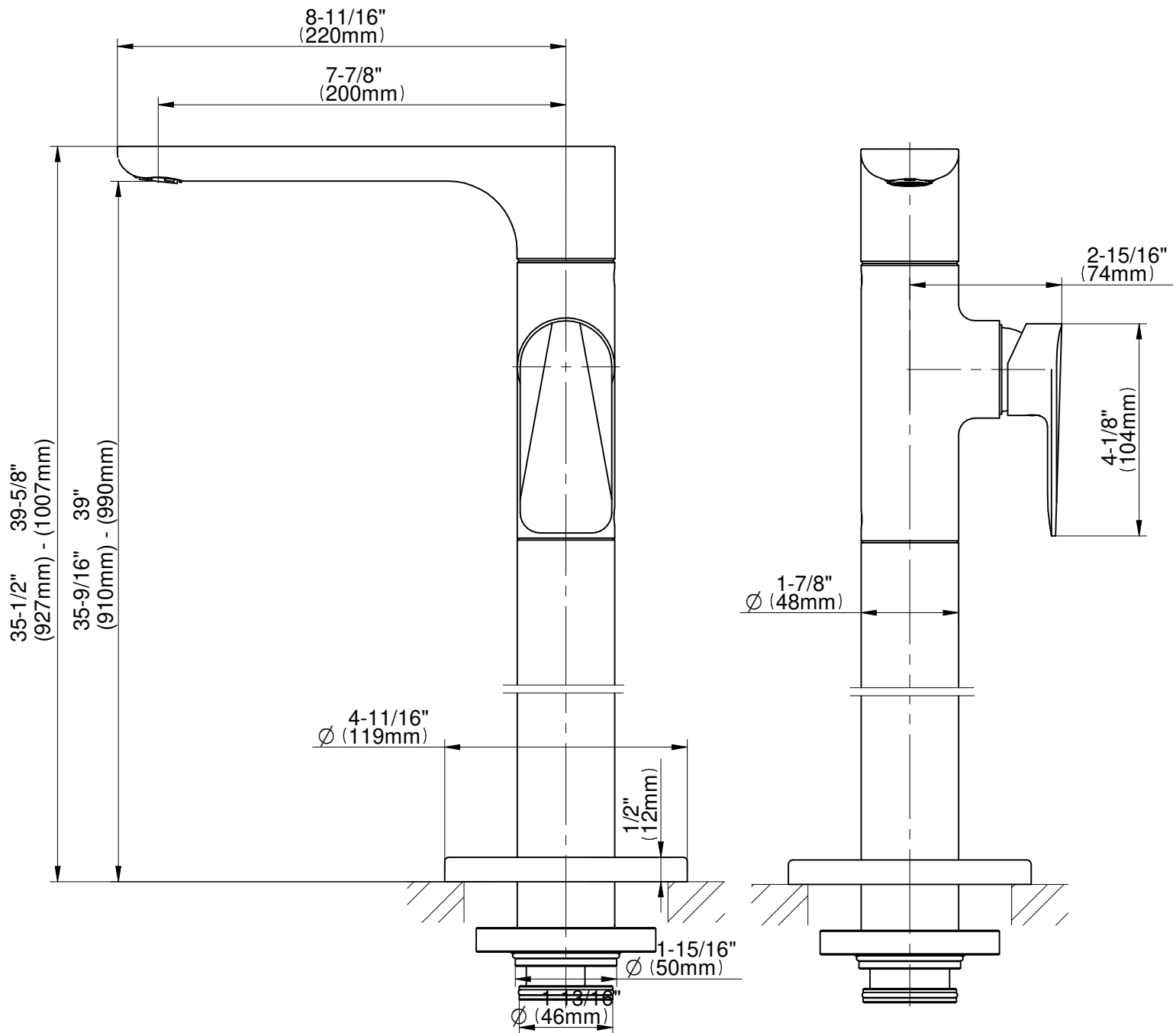


Information

- Floor-mount installation
- Aerated flow rate ≤ 1.2 max gpm
- 7-7/8" spout reach
- 38-15/16" maximum spout height
- Drain assembly not included
- ADA
- CALGreen

G-6315-LM59N-T

Sento Series

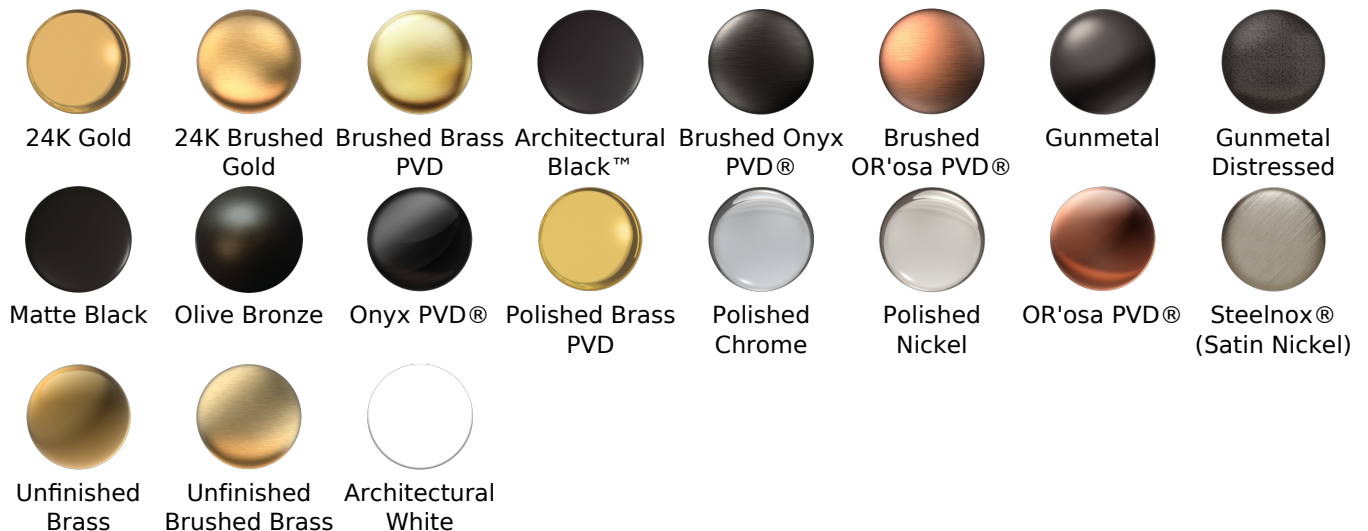




Information

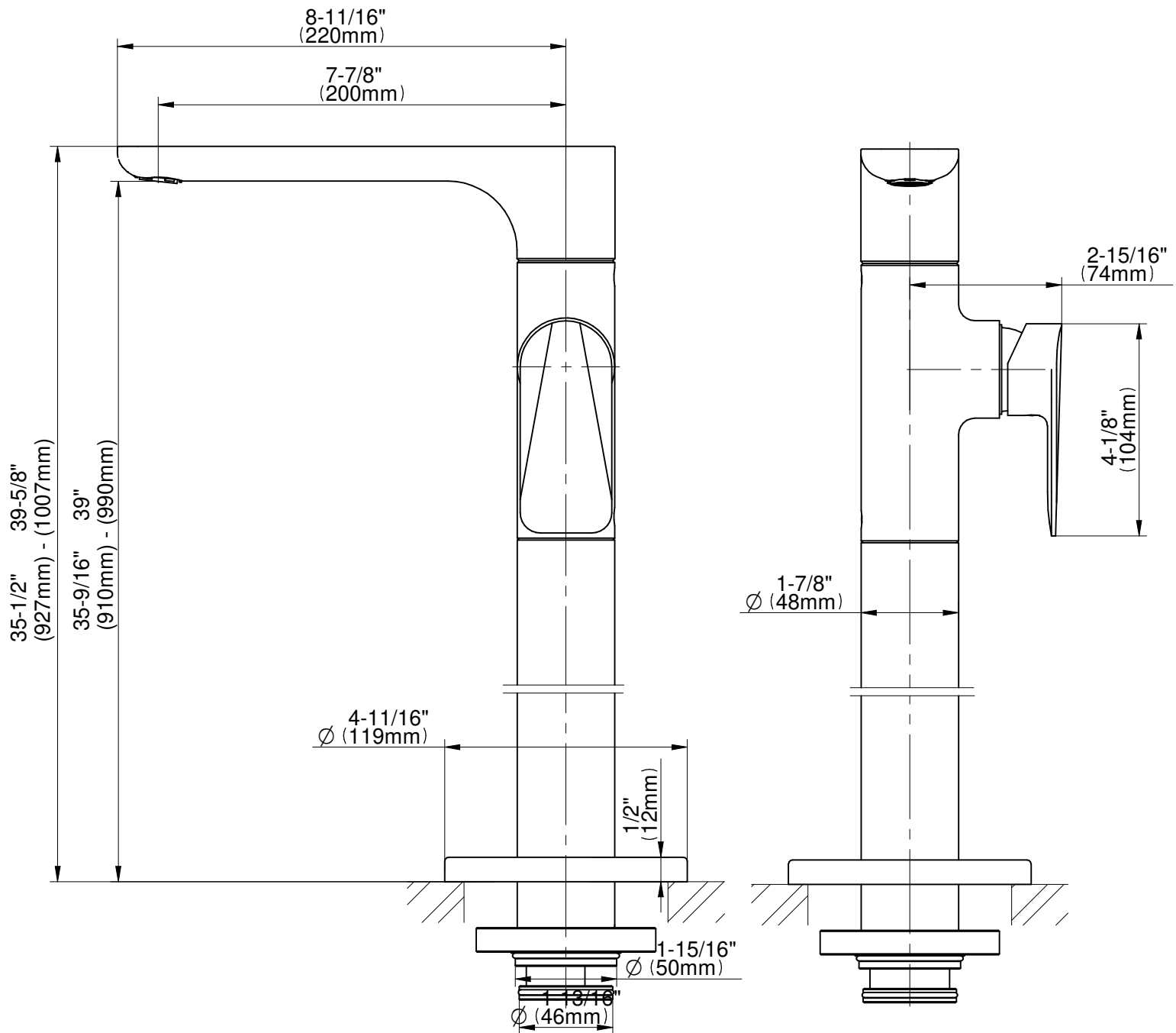
- Floor-mount installation
- Aerated flow rate ≤ 1.2 max gpm
- 7-7/8" spout reach
- 38-15/16" maximum spout height
- Drain assembly not included
- ADA
- CALGreen

Finishes



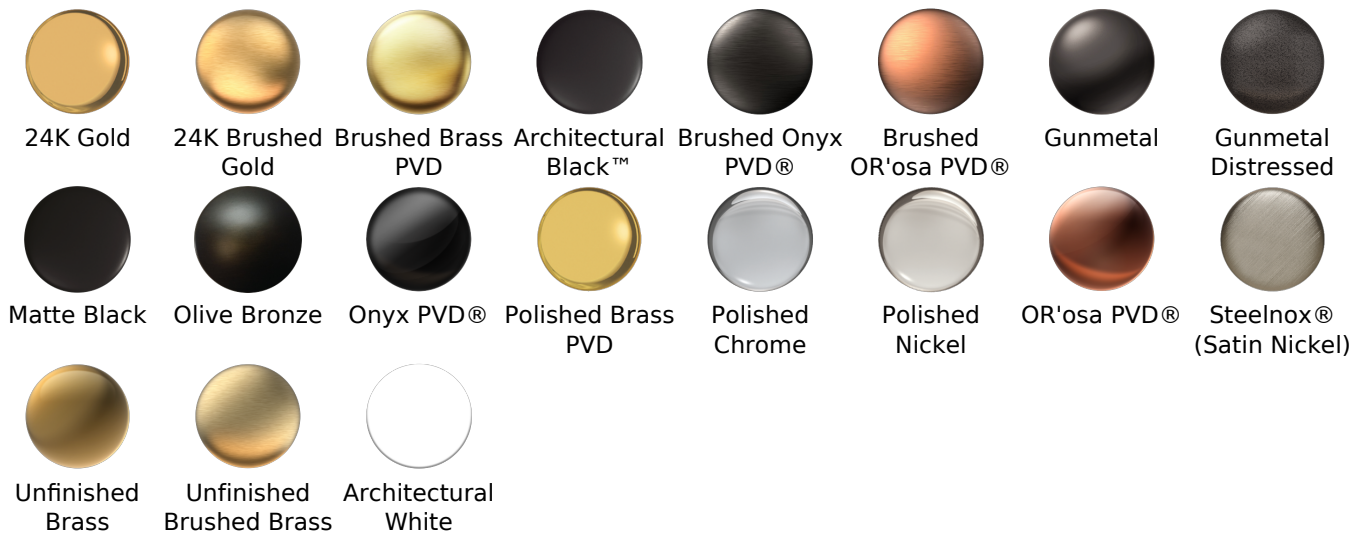
G-6315-LM59N-T

Sento Series





Finishes



G-1045

Spout Connection Rough



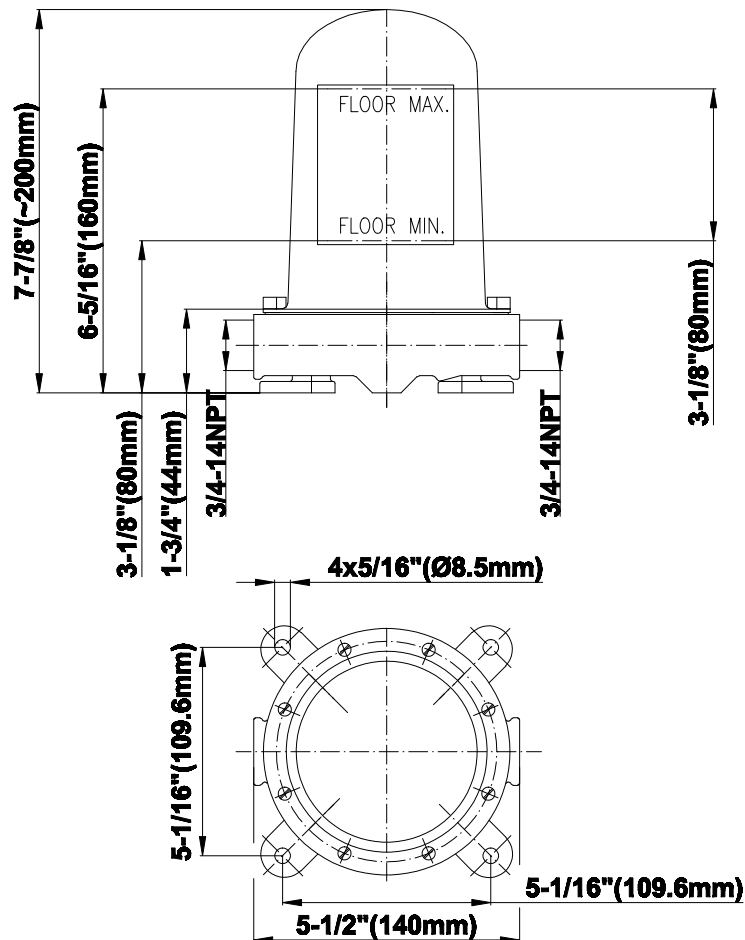
Product Features

- Mud guard displays minimum and maximum floor depth
- Rough can be installed in any orientation making it convenient to route pipes to the rough
- Trim can be rotated 360 degrees in any directions
- Averages 10 GPM with most trim

Warranty

- Limited lifetime warranty

For complete warranty information go to <http://www.graff-faucets.com/en/info/faqs>



The measurements shown are for reference only. Products and specifications shown are subject to change without notice. Revised 07/2017.

www.graff-faucets.com | phone: 800-954-4723