

2-Way diverter with integrated volume control

- For remote installation
- 1/2" NPT inlets and outlets
- With shut-off valve
- Handle included
- 8.9 GPM @ 60 PSI (primary outlet)
- 7.6 GPM @ 60 PSI (secondary outlet)

To be used with thermostatic valve (#G800BU+#D300AU)

Trim

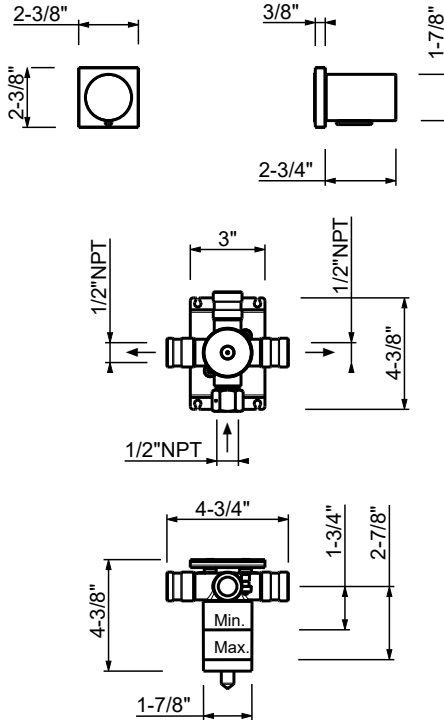
Finishes:

- Chrome** 31 02 G876BU
- Matte Gun Metal PVD** 31 P5 G876BU
- Brushed Stainless steel** 31 93 G876BU

Rough

Finishes:

- 19 00 D376AU



Project:

Room:

Date:

Comments:
