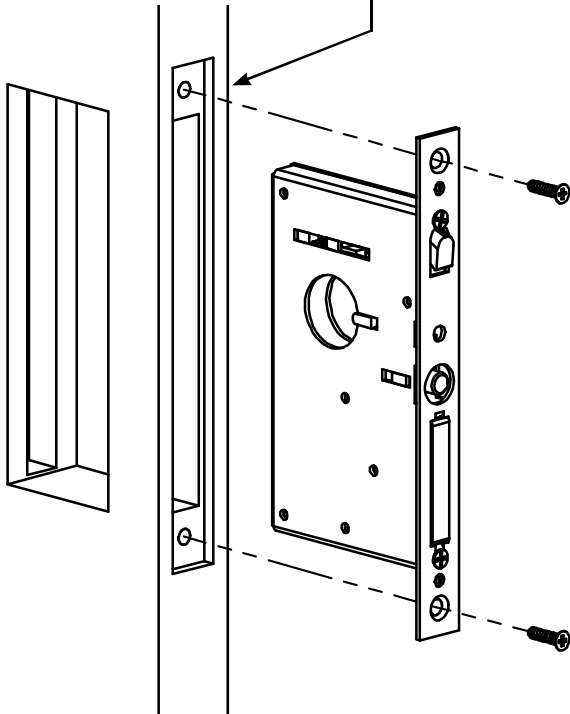


1. Install Lock Body

Outside

Drill two 1/8" pilot holes,
7-1/8" apart on center

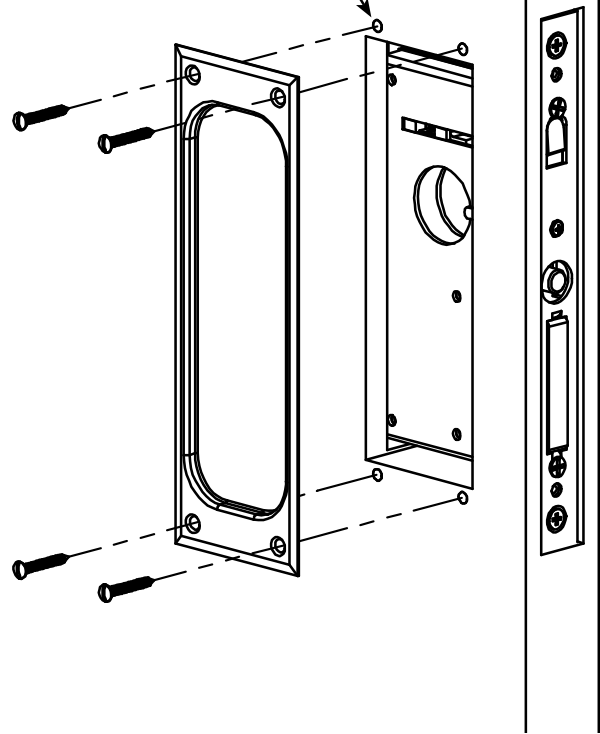


See template for door prep specifications

2. Install Outside Cover

Outside

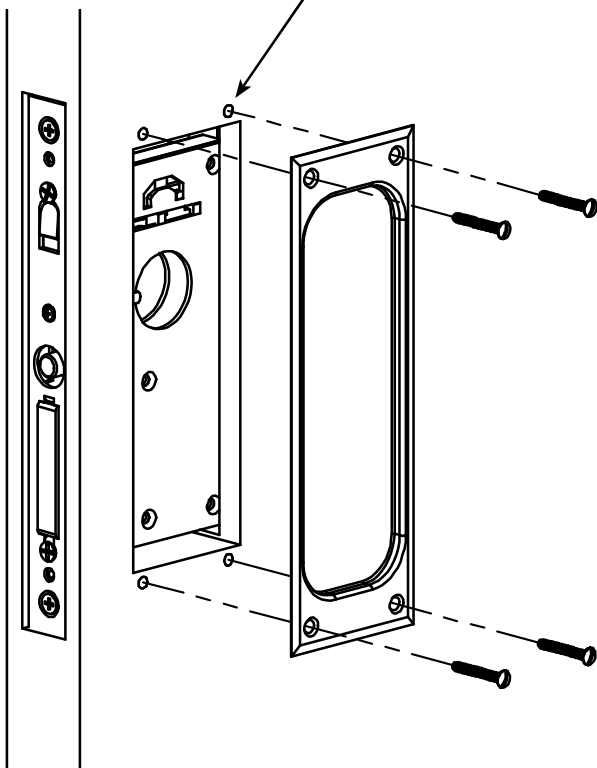
Drill 1/8" pilot holes



3. Install Inside Cover

Inside

Drill 1/8" pilot holes



4. Install Trim Plate

