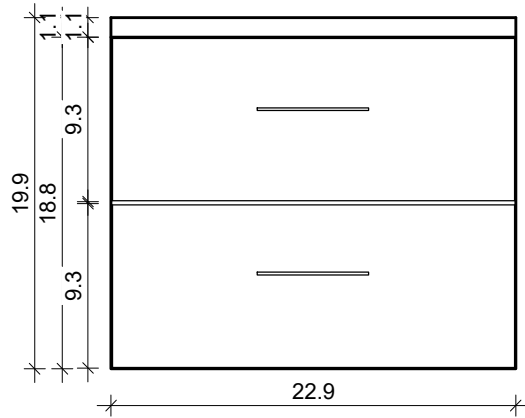
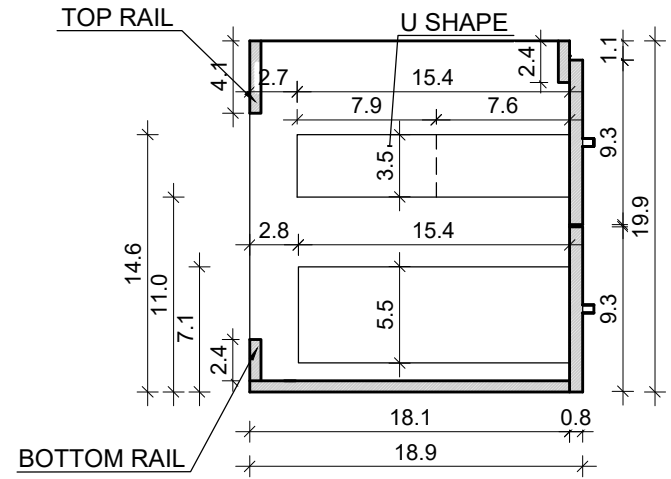


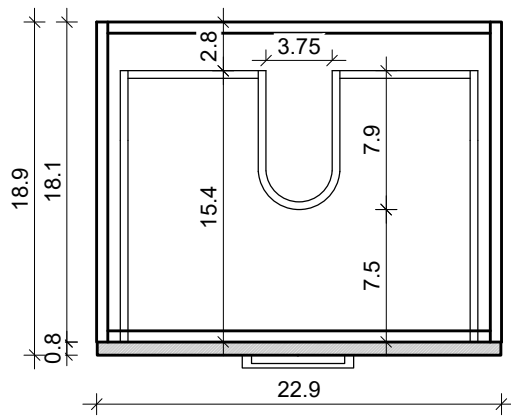
WD2 FOR HARMONY 24-02



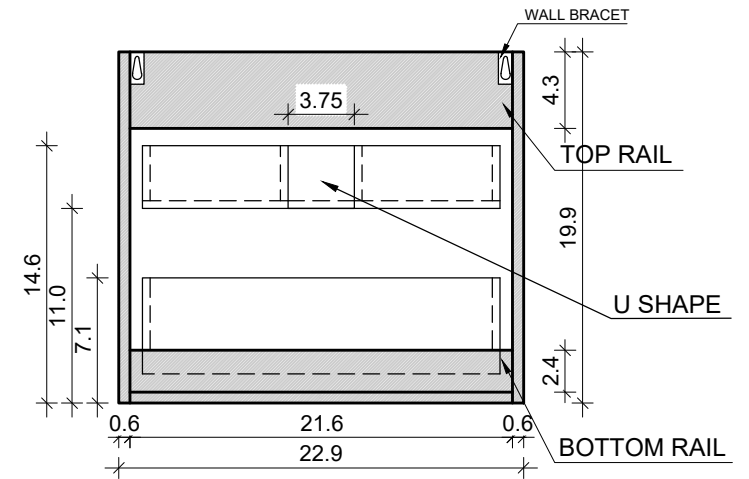
FRONT VIEW



SIDE VIEW



TOP VIEW



BACK VIEW