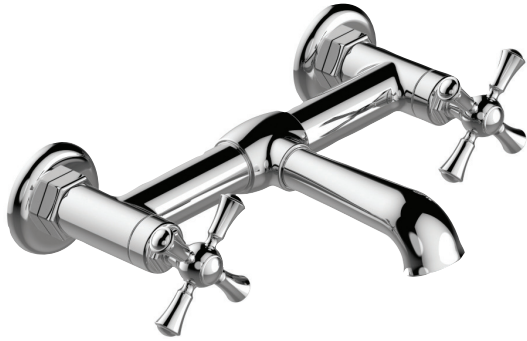




OAK HILL™

LAVATORY WALL MOUNT FAUCET - CROSS HANDLES



- Designed with external waterways and traditional two handle and spout configuration
- Can be installed as a wall mount or lavatory mount faucet
- Ceramic disc valve cartridge
- Cast brass spout
- Maximum flow rate: 1.2 gpm (4.5 L/min)
- Lead Free - faucet contains $\leq 0.25\%$ total lead content by weighted volume

CODES AND STANDARDS

Meets or Exceeds ASME A112.18.1/
CSA B125.1/NSF 61/Section 9

Certified Compliant with 0.25% Weighted
Average Lead Content Regulations



AVAILABLE FINISHES

Polished Chrome
Brushed Nickel
Platinum Nickel
Satin Brass

FINISH CODE

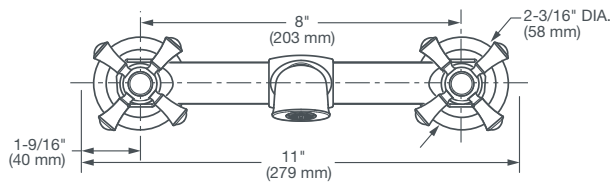
100
144
150
427

DESCRIPTION

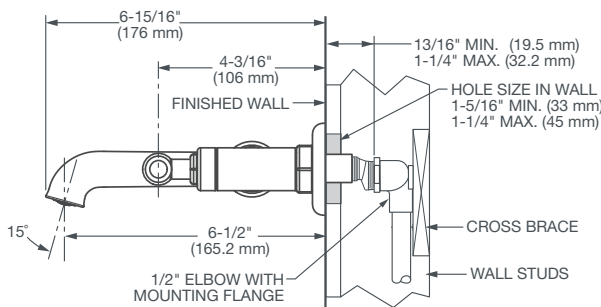
1.2 gpm (4.5 L/min)
Wall Mount Faucet

PRODUCT NUMBER

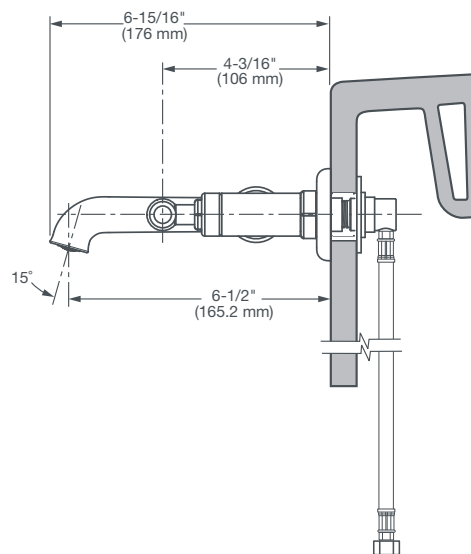
D35155470.XXX



WALL INSTALLATION



SINK INSTALLATION



IMPORTANT: These measurements are subject to change or cancellation.
No responsibility is assumed for use of superseded or voided pages.

PART OF LIXIL