



# LYNDON<sup>®</sup>

## FREESTANDING SOAKING TUB



**D12536014.415**

### FEATURES

- Contemporary soaking tub design
- Center drain
- Acrylic with fiberglass reinforcement
- Integrated tub drain included
- 66 gallon (250 l.) capacity

### DIMENSIONS

#### NOMINAL DIMENSIONS

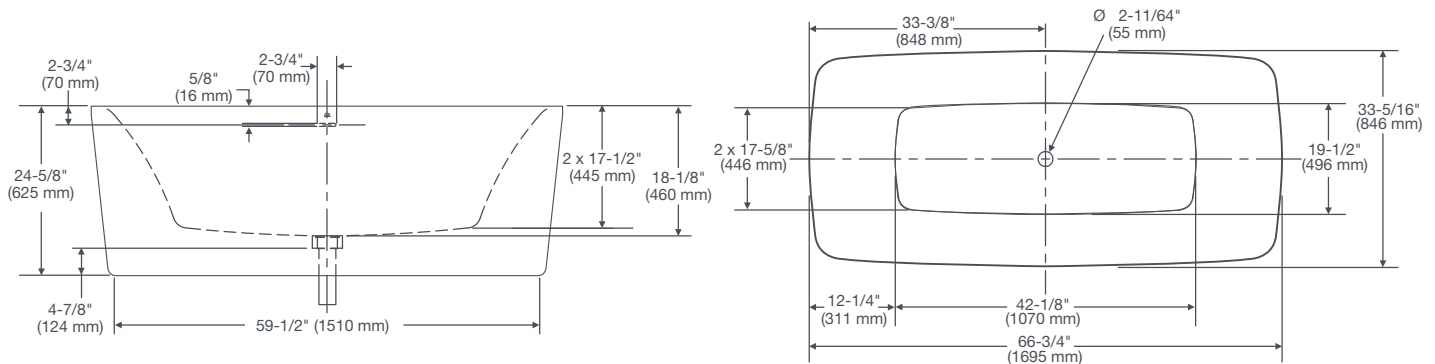
66-3/4" x 33-5/16" x 24-5/8" (1695 x 846 x 625 mm)

### COLORS/FINISHES

Canvas White (415)

### COMPLIANCE CERTIFICATIONS

Meets or Exceeds CSA B45.5/IAPMO Z124



### IMPORTANT:

Dimensions of fixtures are nominal and may vary within the range of tolerances established by CSA B45.5/IAPMO Z124. These measurements are subject to change or cancellation. No responsibility is assumed for use of superseded or voided leaflet.

PART OF LIXIL