

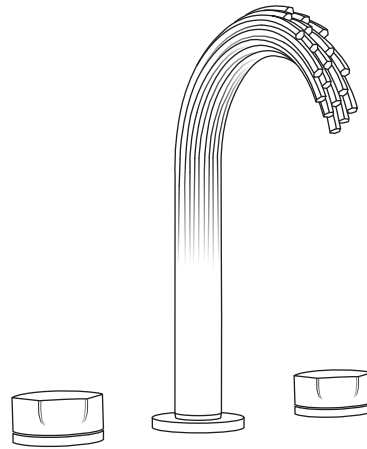
INSTALLATION INSTRUCTIONS

Shadowbrook™ Widespread Lavatory Faucet

Model D31204801

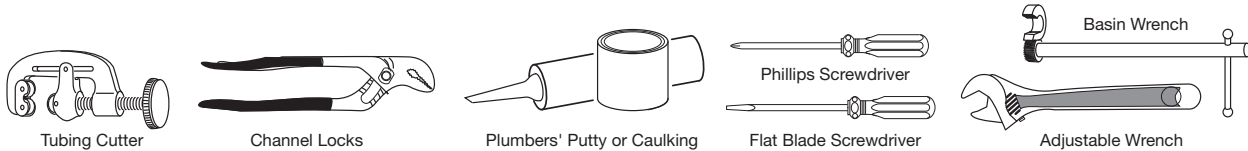


Thank you for selecting DXV. To ensure that your installation proceeds smoothly, please read these instructions carefully before you begin.



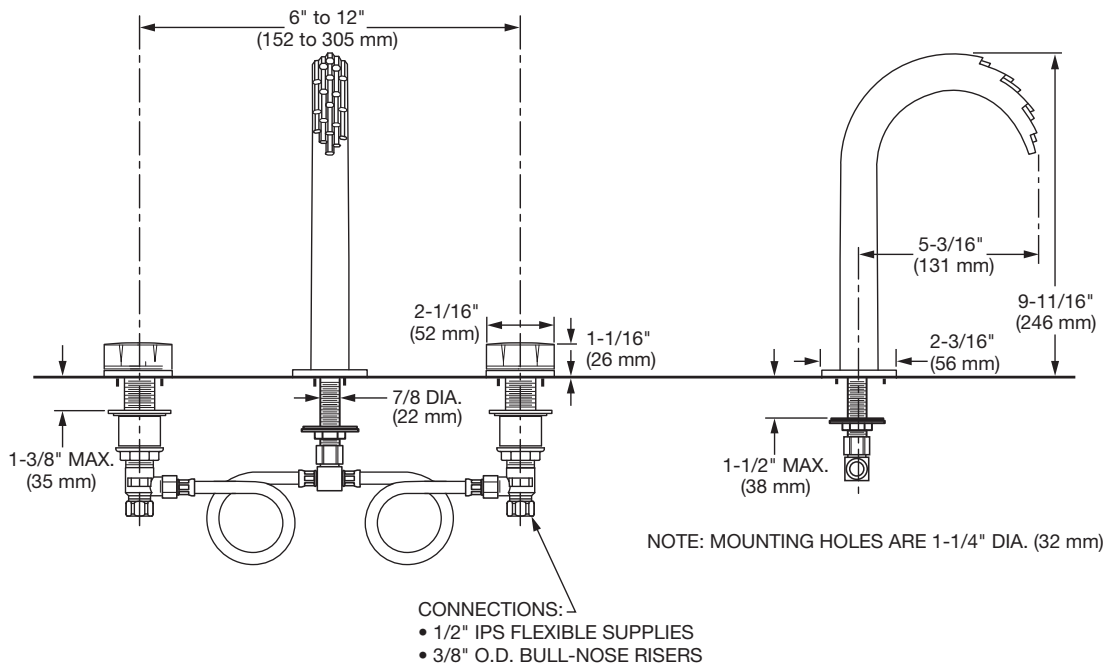
RECOMMENDED TOOLS AND MATERIALS

Most of the procedures require the use of common tools and materials, which are available from hardware and plumbing supply stores. It is essential that the tools and materials be on hand before work is begun.



ROUGHING-IN DIMENSIONS:

• For reference



In the United States:

DXV
One Centennial Avenue
Piscataway, New Jersey 08855
Attention: Director of Customer Care

For residents of the United States, warranty information may also be obtained by calling the following toll free number: (800) 227-2734
www.DXV.com

In Canada:

DXV
5900 Avebury Road
Mississauga, Ontario
L5R 3M3
Canada

Toll Free: 1-800-387-0369
Local: 905-306-1093
Fax: 1-800-395-1498
www.DXV.ca

In Mexico:

DXV
Via Morelos 330
Col. Santa Clara Coatitla
Ecatepec, Estado de México 55540

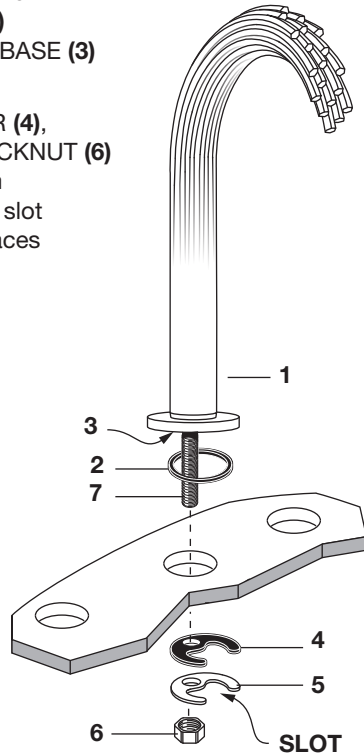
Toll Free: 01-800-8391200
www.DXV.mx

SAVE FOR FUTURE USE

1 SPOUT ASSEMBLY

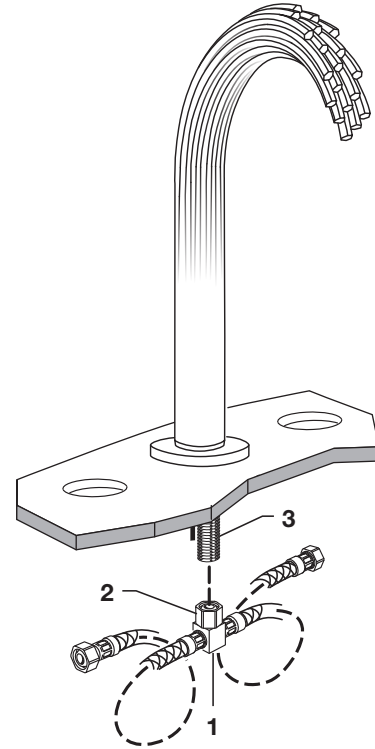
CAUTION Turn off hot and cold water supplies before beginning.

- Insert SPOUT (1) through center hole, making sure O-RING (2) is properly seated in SPOUT BASE (3) groove.
- Assemble RUBBER WASHER (4), BRASS WASHER (5) and LOCKNUT (6) onto SPOUT SHANK (7) from underside of sink. Make sure slot in the BRASS WASHER (5) faces toward the front of the sink.
- Tighten LOCKNUT (6) firmly.



2 TEE ASSEMBLY

- Thread TEE BODY (1) COUPLING NUT (2) to SPOUT SHANK (3). Tighten with wrenches.



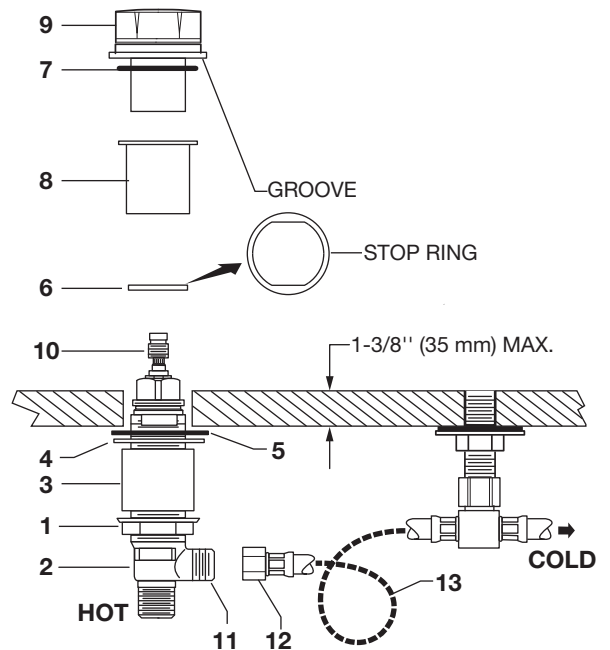
3 INSTALL VALVE BODIES

- Thread LOCKNUT (1) to bottom of VALVE BODY (2). Make sure SPACER (3), BRASS WASHER (4) and RUBBER WASHER (5) are installed.
- Insert VALVE BODY (2) through mounting hole from underside of lavatory or mounting surface.
 - Note: Maximum mounting surface thickness is 1-3/8".**
- Install STOP RING (6) onto VALVE BODY (2) if not in place. Install O-RING (7) into groove in HANDLE BASE (9).
- Thread FLANGE (8) onto VALVE BODY (2) until it reaches STOP RING (6), then tighten approximately 30 degrees with a wrench.
- Align HANDLE BASE (9) as shown or as desired and install onto HANDLE ADAPTER (10).
- Thread HANDLE BASE (9) onto VALVE BODY (2) until tight against its internal stop.
- Align VALVE BODY (2) and from below tighten LOCKNUT (1) to secure VALVE BODY (2).

HOSE CONNECTIONS

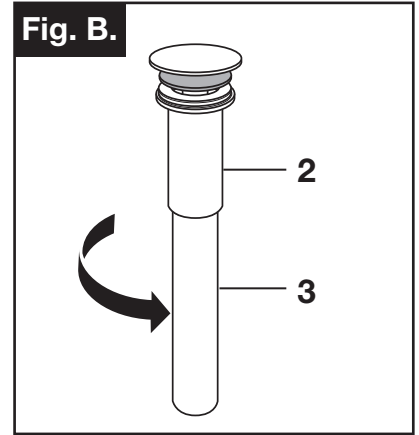
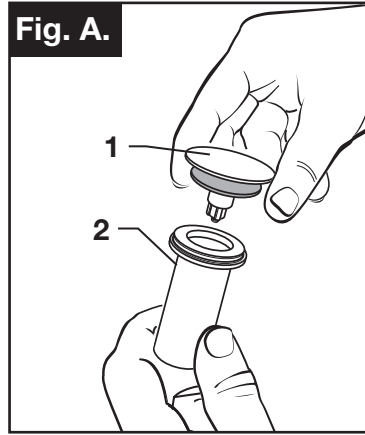
- Tighten COUPLING NUT (12) on SUPPLY HOSE (13) to OUTLET (11) making water tight connection.

Important: Loop SUPPLY HOSES (12) as shown so they do not kink.



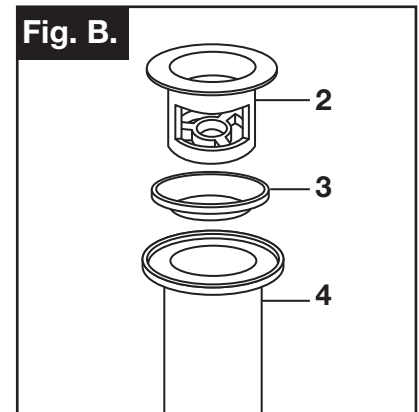
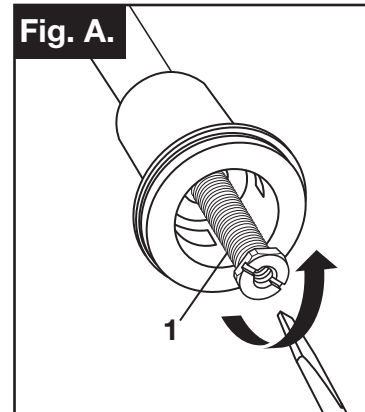
4 INSTALL POP-UP DRAIN

- Unthread DRAIN STOPPER (1), rotating counter-clockwise and remove DRAIN STOPPER (1) from DRAIN BODY (2). Fig. A.
- Tighten TAILPIECE (3) on DRAIN BODY (2) before installing DRAIN BODY. Fig. B.



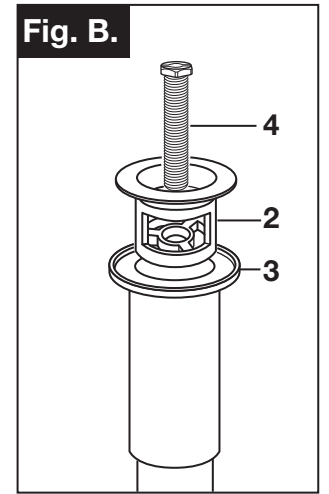
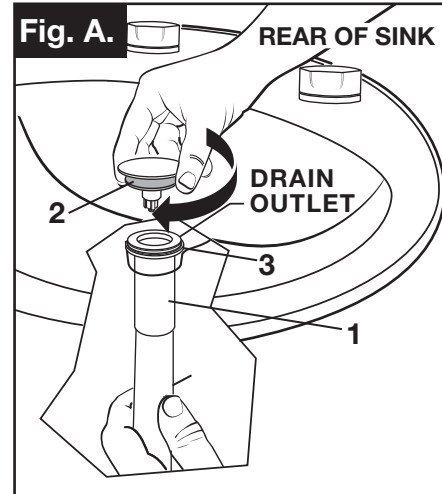
5 REMOVE FLANGE & LOCK SCREW

- Unthread the LOCKSCREW (1) counter-clockwise and remove LOCKSCREW (1) Fig. A
- Remove FLANGE (2) with SILICON GASKET (3) from the DRAIN BODY (4). Fig. B.



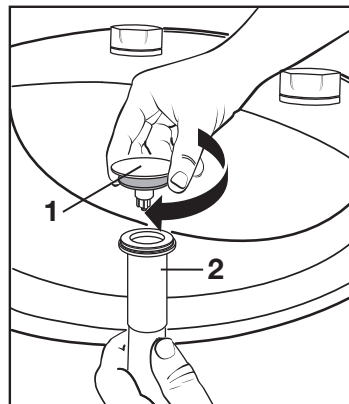
6 INSTALL DRAIN FROM BELOW FIXTURE

- From under side of SINK install DRAIN BODY (1) and SILICON GASKET (3) with the drain outlet. Fig. A.
- Note:** No plumber's putty or caulk is required.
- Align FLANGE (2) and SILICON GASKET (3) from above and tighten LOCKSCREW (4). Fig. B.



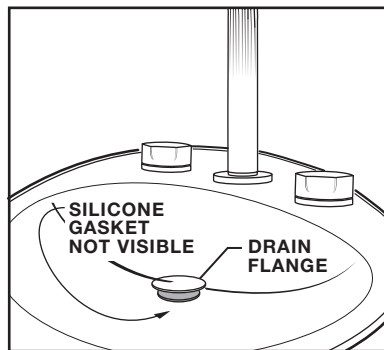
7

- Thread DRAIN STOPPER (1) clockwise onto DRAIN BODY (2).



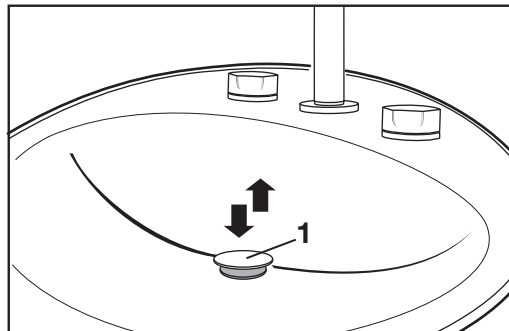
8 FLANGE GASKET

- Check DRAIN STOPPER in SINK to ensure that SILICONE GASKET is fully compressed and not visible.



9 CHECK OPERATION OF POP-UP

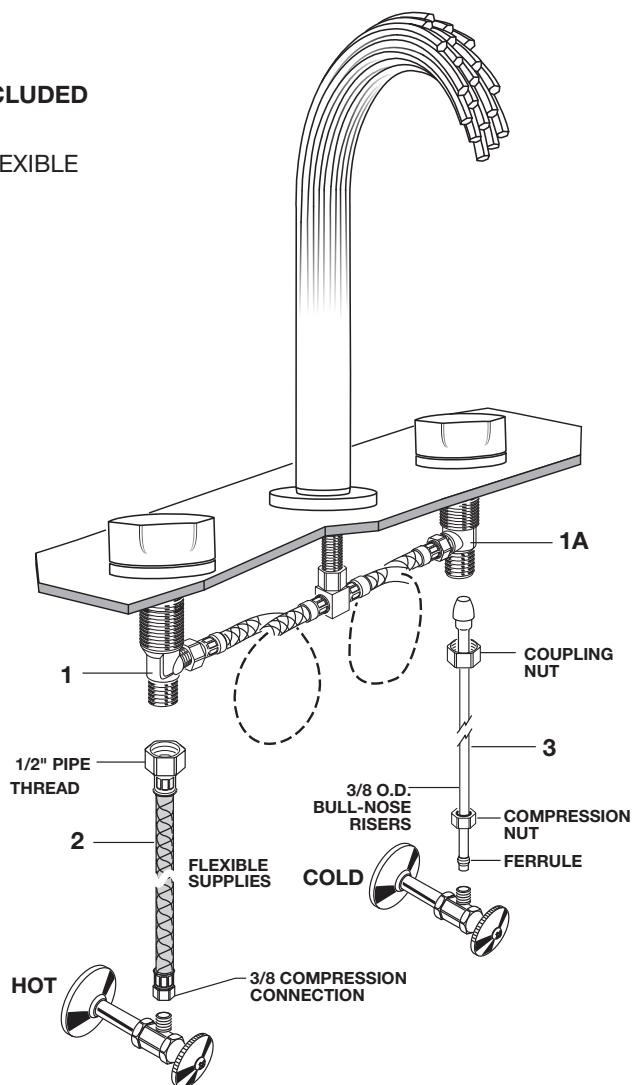
- Operate DRAIN STOPPER (1) to verify that it opens and closes.



10 MAKE WATER SUPPLY AND WASTE CONNECTIONS

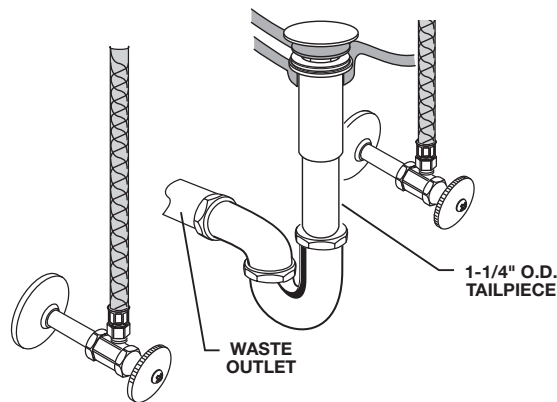
NOTE: FLEXIBLE SUPPLIES OR BULL-NOSE RISERS NOT INCLUDED AND MUST BE PURCHASED SEPARATELY.

- Connect water supply to VALVE BODIES (1,1A) with 1/2" IPS FLEXIBLE SUPPLIES (2) or 3/8" O.D. BULL-NOSE RISERS (3). Use adjustable wrench to tighten connections. Do not over tighten. Be careful not to kink copper supply when bending. Use tubing cutter to cut to proper length.
- Connect HOT water supply to inlet of left SHANK and COLD water supply to right SHANK using sealant, appropriate connectors, and COUPLING NUTS.



11 CONNECT DRAIN

- Connect 1-1/4" O.D. tailpiece on POP-UP DRAIN to waste outlet.



12 TEST INSTALLED FITTING

- With HANDLES (1) in OFF position, turn on WATER SUPPLIES (2) and check all connections for leaks. ➔

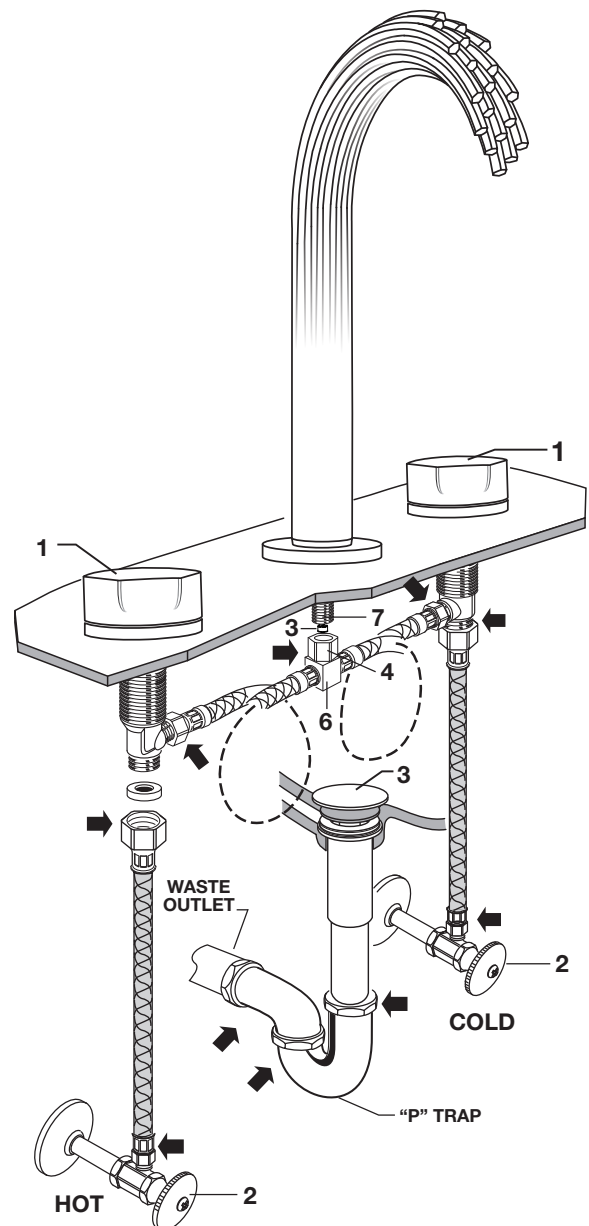
13 TO CLEAN FLOW REGULATOR

CAUTION DO NOT OPERATE THE FAUCET WITHOUT THE FLOW REGULATOR (3).

- FLOW REGULATOR (3) may accumulate dirt causing distorted and reduced water flow.
- To remove FLOW REGULATOR (3). Loosen TEE BODY (6), COUPLING NUT (4) from SPOUT SHANK (7). Pull out FLOW REGULATOR (3) and clean it and place it back.
- Reassemble TEE BODY (6) and COUPLING NUT (4) to the SPOUT SHANK (7).
- Operate HANDLE (1) several; times from off to on position. Do not force, handle turn only 90°.

SCREEN FILTER (5) may accumulate dirt causing distorted and reduced water flow.

- To remove SCREEN FILTER (5). Loosen HOSE CONNECTION (8), from SIDE ASSEMBLY (9). Pull out Screen Filter (5) and clean it or replace it and place it back.
- Reassemble HOSE CONNECTION (8) to the SIDE ASSEMBLY (9).
- Operate HANDLE (1) several; times from off to on position. Do not force, handle turn only 90°.



DXV

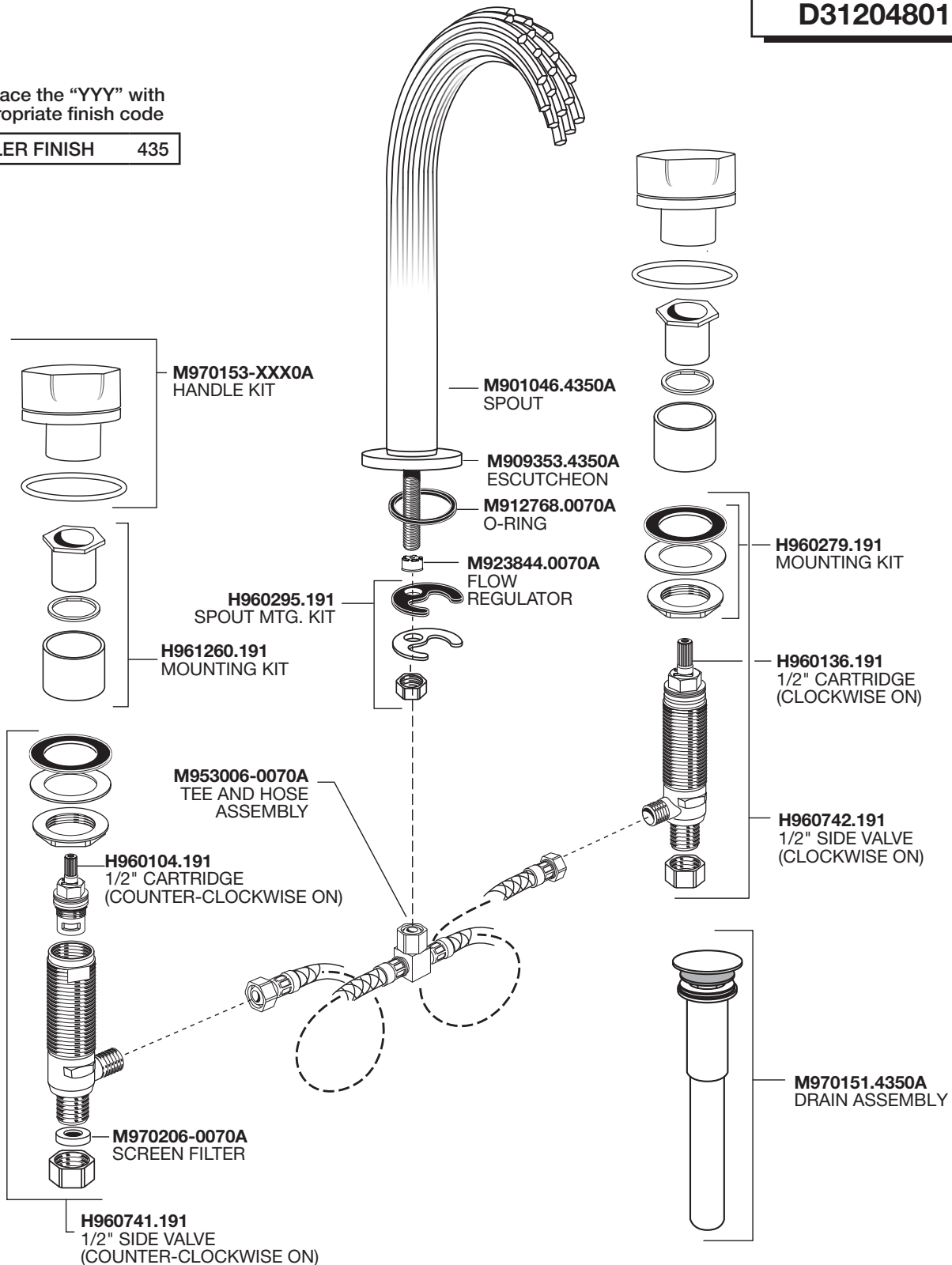
Shadowbrook™ Widespread Lavatory Faucet

MODEL NUMBER

D31204801

Replace the "YYY" with
appropriate finish code

BUTLER FINISH 435



PART OF LIXIL