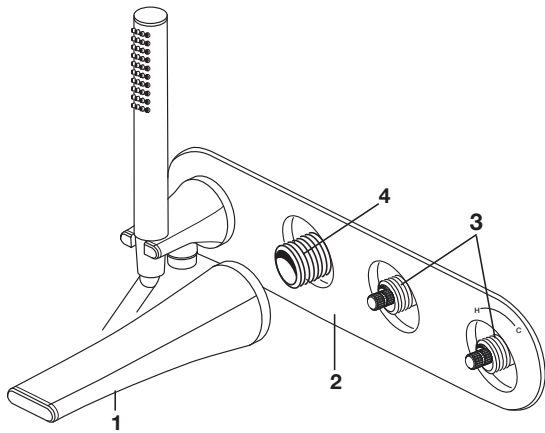


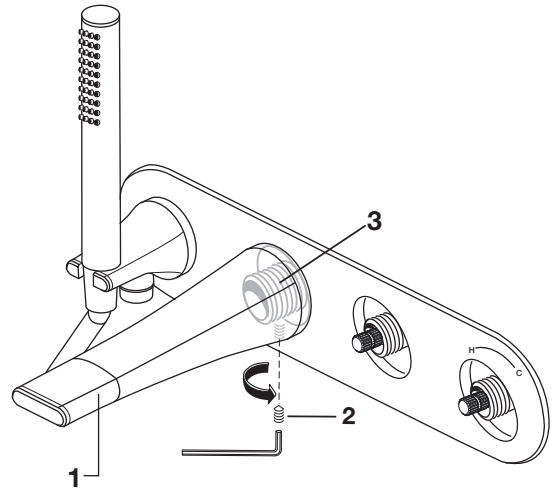
1 INSTALL SPOUT

- Install ESCUTCHEON (2) onto TUBE (3).
- Thread TUB FILLER SPOUT (1) onto ADAPTER (4) flush against finished wall.



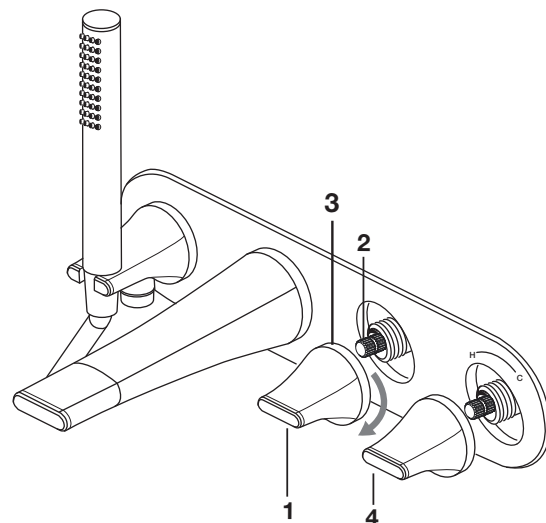
2 SECURE SPOUT

- Align spout and tighten SET SCREW (2) to secure TUB FILLER SPOUT (1) to ADAPTER (3).



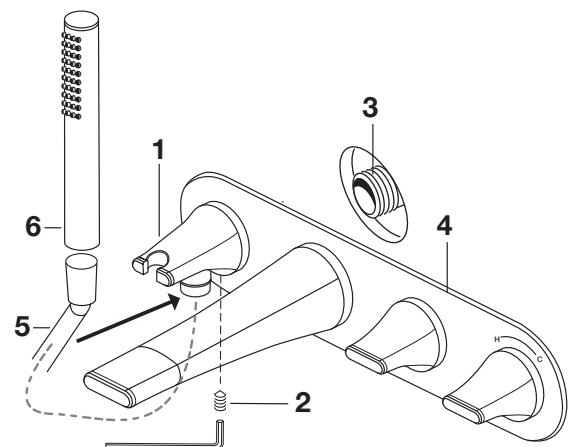
3 INSTALL HANDLE

- Push HANDLE (1) onto SPLINE (2).
- NOTE:** Check that the cartridge is in neutral position.
- For proper installation thread HANDLE (1) by turning ESCUTCHEON (3) clockwise .
- Install HANDLE (4) the same way.
- NOTE:** Check that the cartridge is in neutral position.



4 INSTALL HAND SHOWER

- Thread HAND SHOWER HOLDER (1) onto ADAPTER (3) flush against ESCUTCHEON (4).
- Align HAND SHOWER HOLDER (1) and tighten SET SCREW (2) to secure HAND SHOWER HOLDER (1) to ADAPTER (3).



4a

- Thread HOSE (5) onto HAND SHOWER HOLDER (1).
- Thread the other end of HOSE (5) to the HAND SHOWER (6).
- Secure the HAND SHOWER (6) by placing in the HAND SHOWER HOLDER (1).



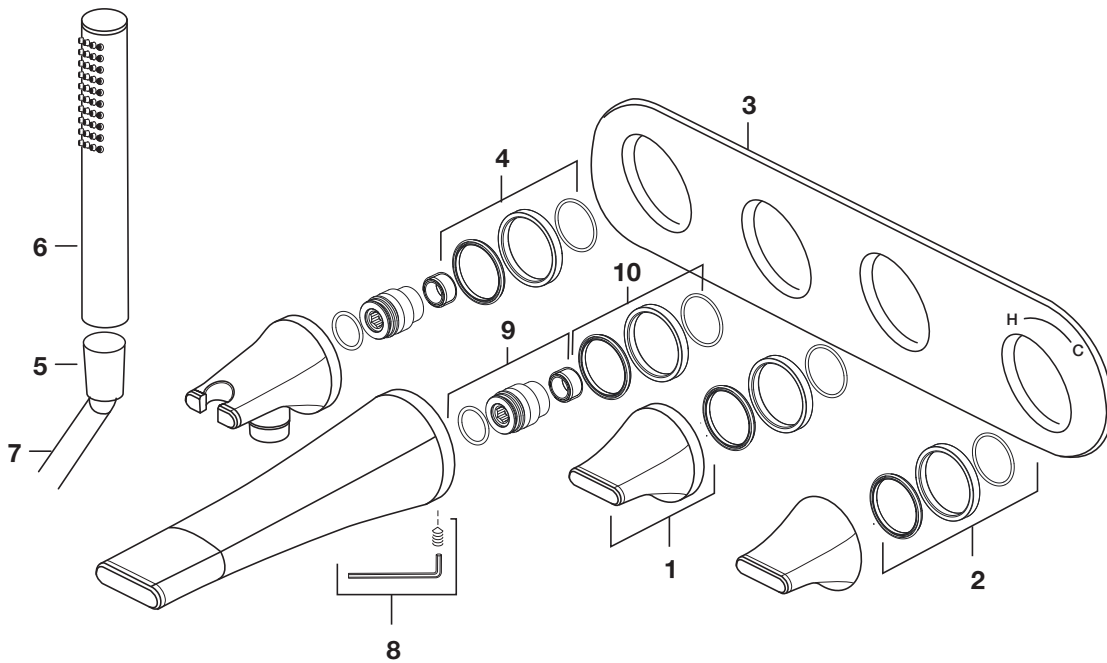
DXV Modulus™ Wall-Mount Tub Filler

MODEL NUMBER

D35120981

Replace the “YYY” with appropriate finish code

POLISHED CHROME	100
BRUSHED NICKEL	144
PLATINUM NICKEL	150
MATTE BLACK	243



1	M970393-YYY0A	HANDLE KIT
2	M970394-YYY0A	HANDLE ESCUTCHEON
3	M970397-0070A	ESCUTCHEON PLATE
4	M970398-YYY0A	HAND SHOWER HOLDER ESCUTCHEON
5	M970399-YYY0A	HOSE CONNECTOR KIT
6	M970322-YYY0A	HAND SHOWER
7	H960440-XXX	HAND SHOWER HOSE
8	M964513-0070A	SPOUT SET SCREW KIT
9	H961263-191	SPOUT ADAPTER
10	M970363-YYY0A	SPOUT ESCUTCHEON KIT