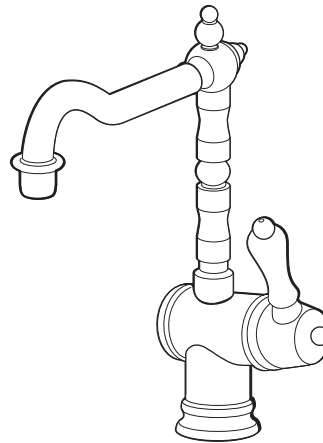


# INSTALLATION INSTRUCTIONS



## Victorian Single Control Bar Faucet



### Model D35402400

Thank you for selecting DXV. To ensure that your installation proceeds smoothly, please read these instructions carefully before you begin.

#### RECOMMENDED TOOLS AND MATERIALS

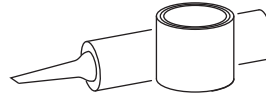
Most of the procedures require the use of common tools and materials, which are available from hardware and plumbing supply stores. It is essential that the tools and materials be on hand before work has begun.



Channel Locks



Adjustable Wrench



Plumbers' Putty or Caulking



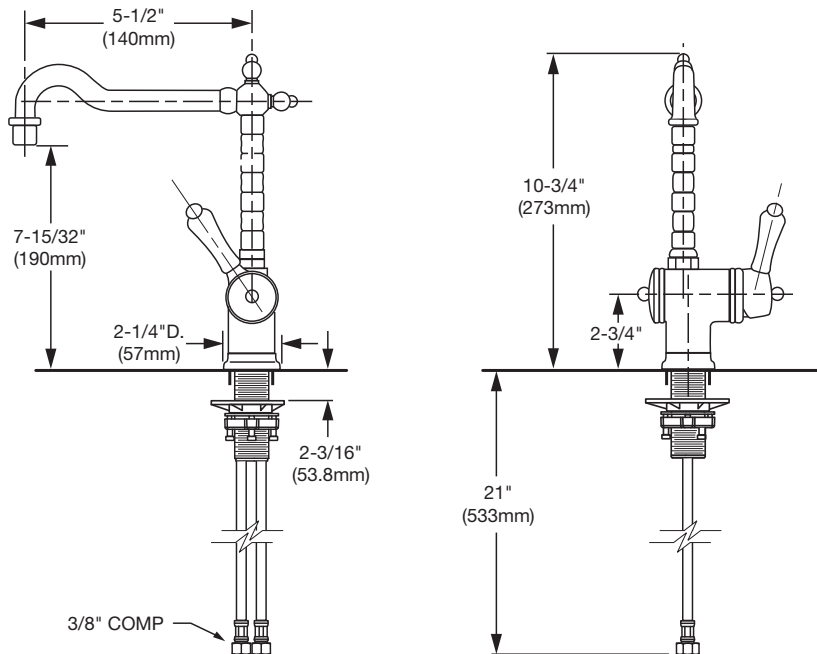
Phillips Screwdriver



Flat Blade Screwdriver

#### ROUGHING-IN DIMENSIONS:

- For reference



NOTE: Bore hole size is 1-3/8"

#### In the United States:

DXV  
One Centennial Avenue  
Piscataway, New Jersey 08855  
Attention: Director of Customer Care

For residents of the United States, warranty information may also be obtained by calling the following toll free number: (800) 227-2734  
[www.DXV.com](http://www.DXV.com)

#### In Canada:

DXV  
5900 Avebury Road  
Mississauga, Ontario  
L5R 3M3  
Canada

Toll Free: 1-800-387-0369  
Local: 905-306-1093  
Fax: 1-800-395-1498  
[www.DXV.ca](http://www.DXV.ca)

#### In Mexico:

DXV  
Via Morelos 330  
Col. Santa Clara Coatitla  
Ecatepec, Estado de México 55540

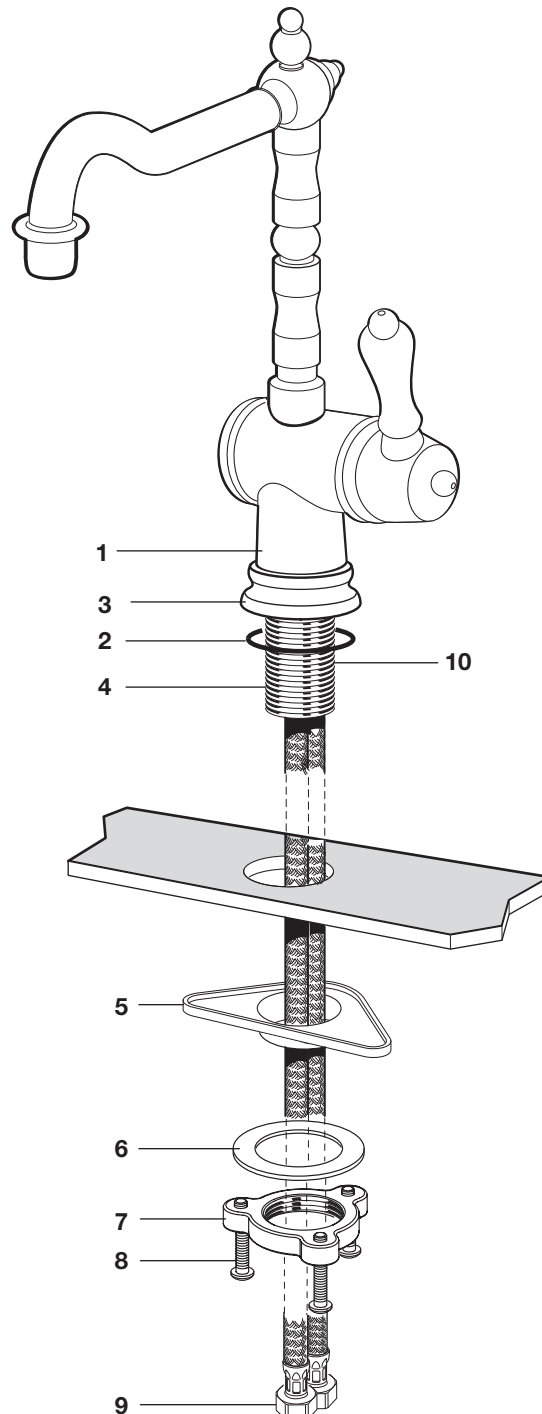
Toll Free: 01-800-8391200  
[www.DXV.mx](http://www.DXV.mx)

SAVE FOR FUTURE USE

## 1 INSTALL FITTING

**CAUTION** Turn off hot and cold water supplies before beginning.

- Make certain the O-RING (2) is properly seated in recess of FAUCET BASE (3).
- Insert HOSE (9), SHANK (10) through center hole of sink or mounting surface.
- Assemble three BRASS SCREW (8) into the FIXATION RING (7).
- Assemble SUPPORT PLATE (5) METAL WASHER (6), and FIXATION RING (7) onto SHANK (10) from underside of sink. Hand tighten the FIXATION RING (7) and check that FAUCET (1) is centered.
- Use a screwdriver to tighten SCREW (8) on FIXATION RING (7). Work your way around FIXATION RING (7), tightening the screws slightly each time until all are snug to ensure even pressure.

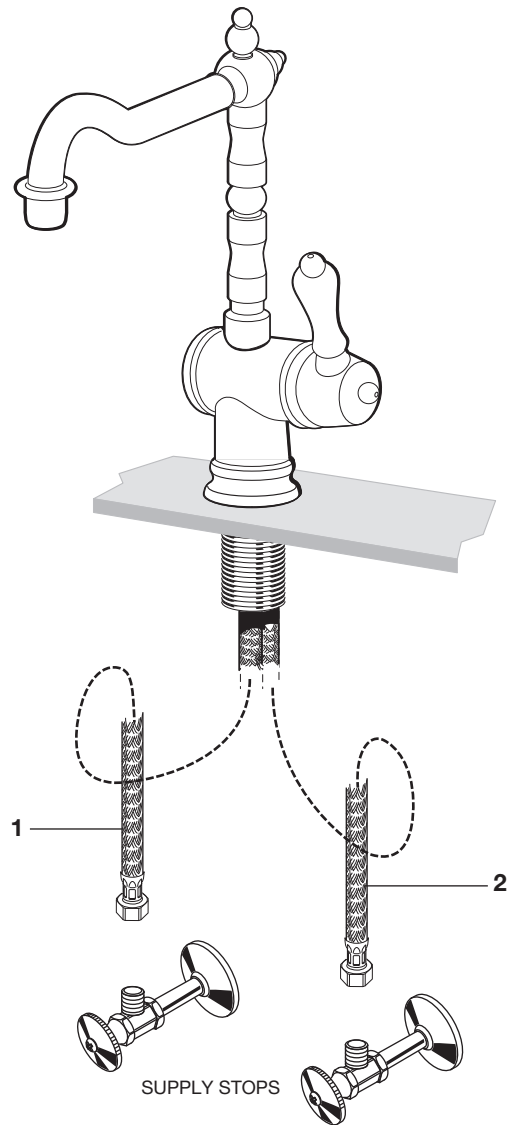


## 2 MAKE WATER SUPPLY CONNECTIONS

- Turn off hot and cold water supplies before beginning.
- Connect FLEXIBLE SUPPLIES (1, 2) directly to wall supplies. Connection on fitting supplies are 3/8" compression. Connect left supply (Marked Red) to Hot and right supply (Marked Blue) to Cold wall supply. Use adjustable wrench to tighten connections. Do not over tighten. Faucet supplies are 21" long from faucet base.

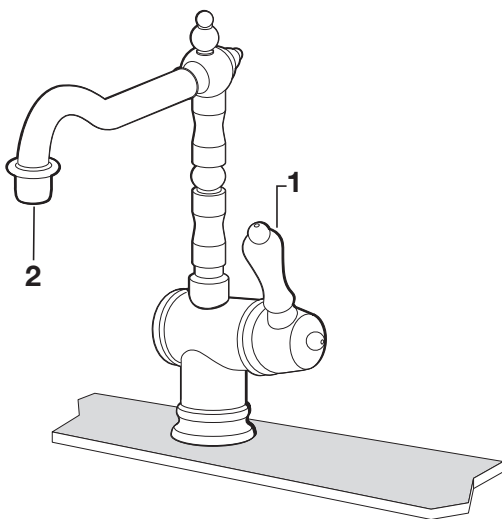
**Note:** *If additional supply length is required, installer must purchase additional parts separately.*

**Important:** *If SUPPLY HOSES (1, 2) are too long, loop as illustrated to avoid kinking.*



## 3 TEST INSTALLED FAUCET

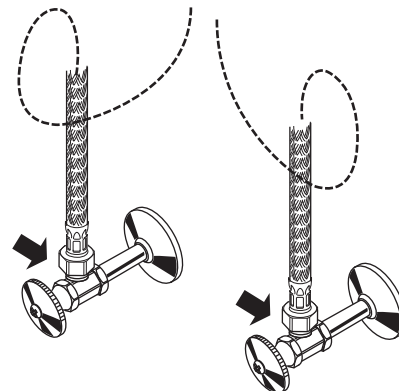
- Move HANDLE (1) into "off" position.
- Turn on water supplies and check all connections for leaks. ➔



### TROUBLE SHOOTING

#### **Low water flow from faucet:**

- Remove AERATOR (2) and clean if necessary.





# Victorian Single Control Bar Faucet

MODEL NUMBER

**D35402400**

Replace the "YYY" with appropriate finish code

POLISHED CHROME	100
CARBON BRONZE	110
ULTRA STEEL	355

