

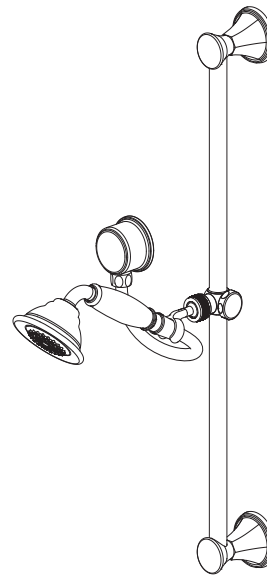
# INSTALLATION INSTRUCTIONS

## Fitzgerald® Personal Hand Shower with Adjustable Wall Mounted Bar

For use with automatic compensating valves  
rated at 4.5 L/min (1.2 gpm)

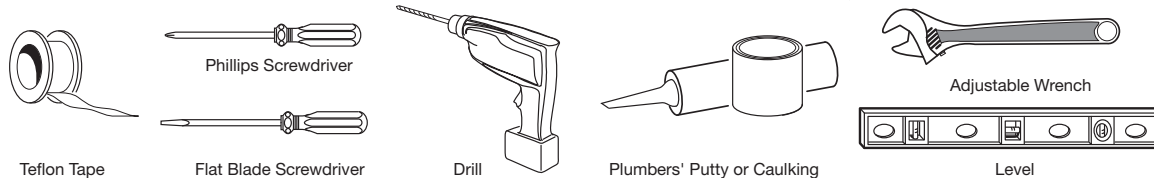
**Model D35160780**

*Thank you for selecting DXV. To ensure that your installation proceeds smoothly, please read these instructions carefully before you begin.*



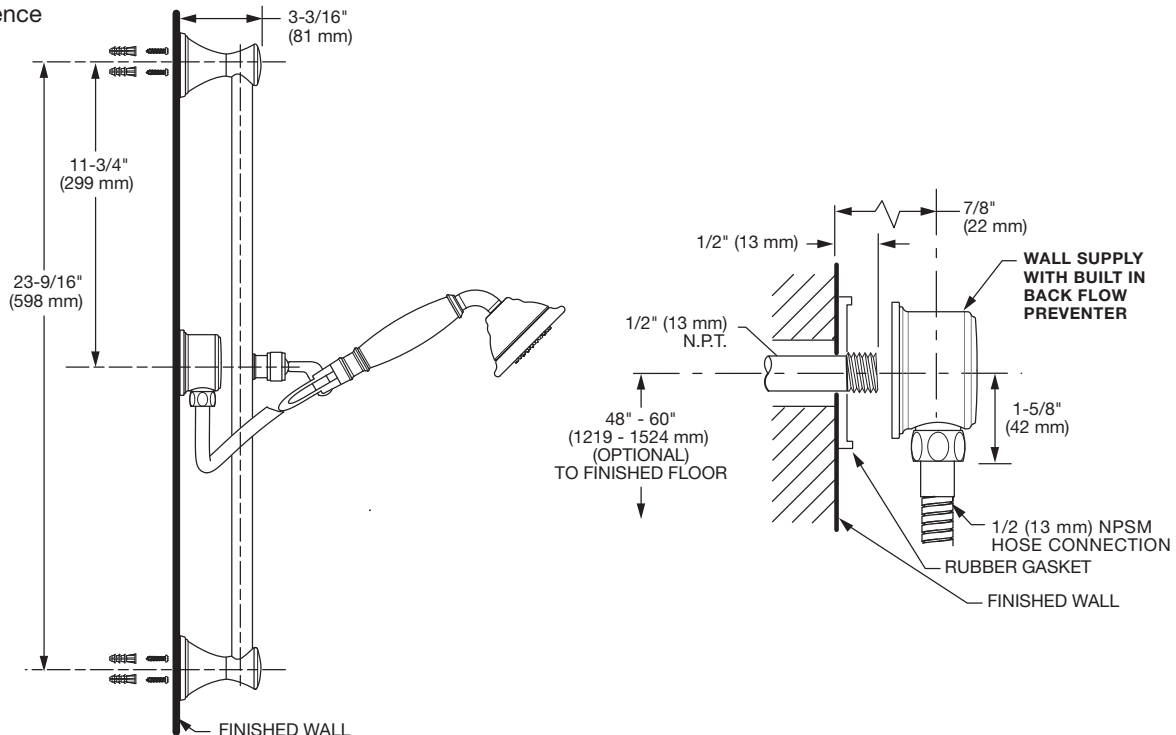
### RECOMMENDED TOOLS AND MATERIALS

Most of the procedures require the use of common tools and materials, which are available from hardware and plumbing supply stores. It is essential that the tools and materials be on hand before work is begun.



### ROUGHING-IN DIMENSIONS:

- For reference



#### In the United States:

DXV  
One Centennial Avenue  
Piscataway, New Jersey 08855  
Attention: Director of Customer Care

For residents of the United States, warranty information may also be obtained by calling the following toll free number: (800) 227-2734  
[www.DXV.com](http://www.DXV.com)

#### In Canada:

DXV  
5900 Avebury Road  
Mississauga, Ontario  
L5R 3M3  
Canada

Toll Free: 1-800-387-0369  
Local: 905-306-1093  
Fax: 1-800-395-1498  
[www.DXV.ca](http://www.DXV.ca)

#### In Mexico:

DXV  
Via Morelos 330  
Col. Santa Clara Coatitla  
Ecatepec, Estado de México 55540

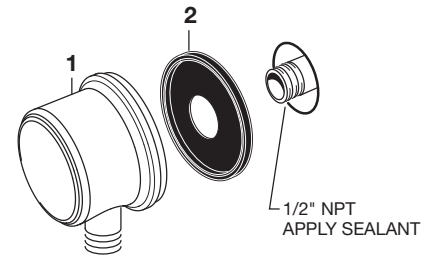
Toll Free: 01-800-8391200  
[www.DXV.mx](http://www.DXV.mx)

S A V E F O R F U T U R E U S E

## 1 INSTALL WALL SUPPLY

**CAUTION** Turn off hot and cold water supplies before beginning.

- Supply to WALL SUPPLY (1) is 1/2" (13 mm) NPT. See rough-in above for detailed information.
- Install RUBBER SEAL (2) onto WALL SUPPLY (1).
- Apply sealant or teflon tape to threads of 1/2" (13 mm) NPT supply nipple. Thread WALL SUPPLY (1) onto supply nipple making a water tight seal. WALL SUPPLY (1) with RUBBER SEAL (2) should be tight against finished wall.

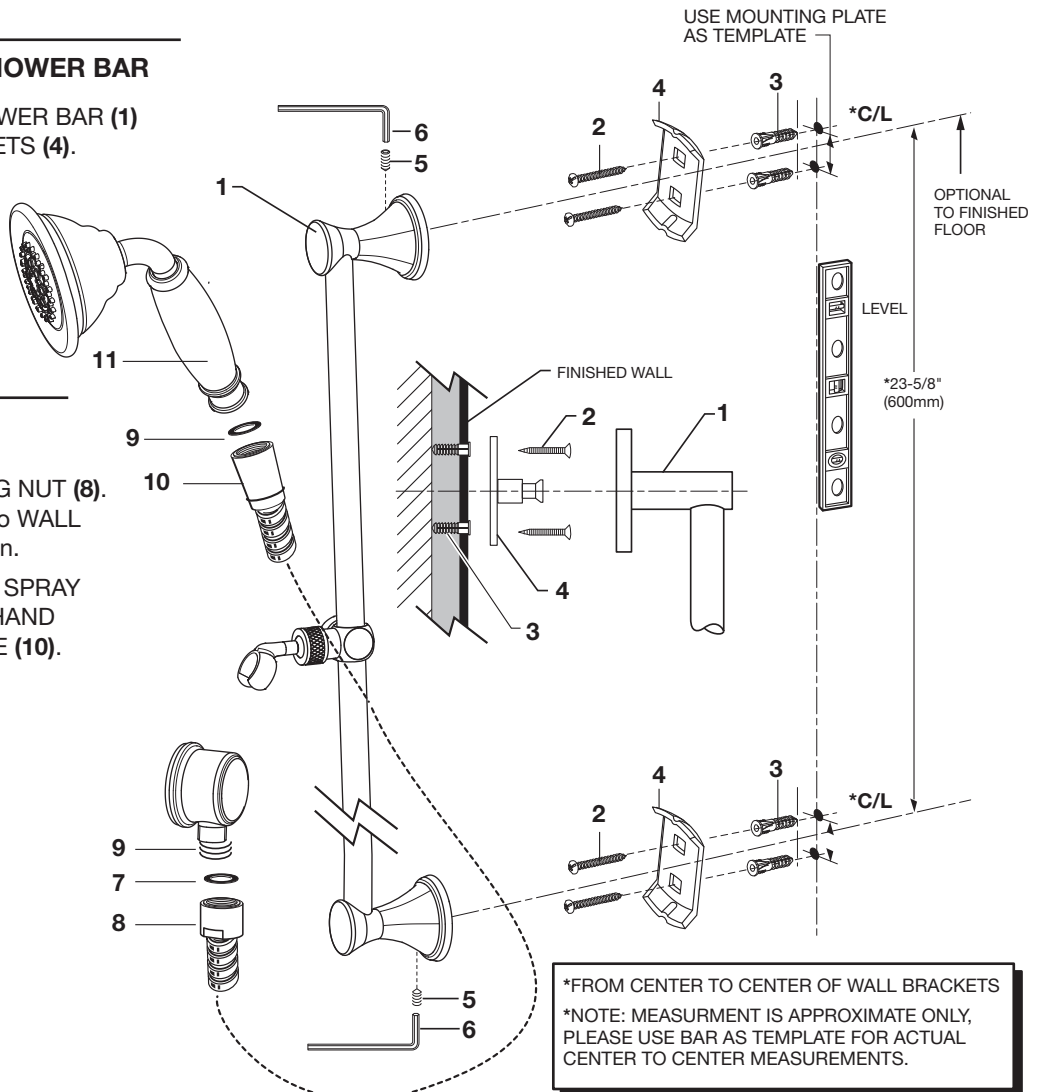


## 2 INSTALL WALL BRACKETS

- The ADJUSTABLE SHOWER BAR (1) works best if secured to a wall stud or cross brace within the wall, using the MOUNTING SCREWS (2) supplied.
- If the ADJUSTABLE SHOWER BAR (1) is to be installed on a tile or plaster wall the ANCHORS (3) and SCREWS (2) should be used.
- Determine desired height and location (optional) of the top MOUNTING PLATE (4). **NOTE: MEASUREMENT IS APPROXIMATE ONLY, PLEASE USE BAR AS TEMPLATE FOR ACTUAL CENTER TO CENTER MEASUREMENTS.** Use a level to make sure the center line between the two MOUNTING PLATES (4) is vertical. If the MOUNTING PLATES (4) are secured to a stud or cross brace, drill small pilot holes for SCREWS (2).
- **For installations on drywall or tiled walls:** Use ANCHORS (3) and SCREWS (2) for securing MOUNTING PLATE (4) to finished wall. Drill six 1/4" dia. holes a minimum of 1-3/4" deep. Insert the ANCHORS (3) flush with face of the finished wall.
- Secure MOUNTING PLATES (4) to wall with SCREWS (2).

## 3 INSTALL ADJUSTABLE SHOWER BAR

- Install the ADJUSTABLE SHOWER BAR (1) onto the MOUNTING BRACKETS (4). Push ADJUSTABLE SHOWER BAR (1) flush against finished wall and tighten SET SCREWS (5) with HEX WRENCH (6) supplied with accessory.



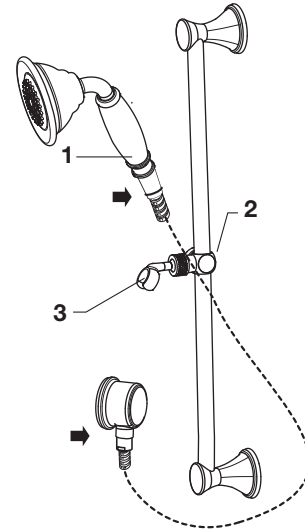
\*FROM CENTER TO CENTER OF WALL BRACKETS  
\*NOTE: MEASUREMENT IS APPROXIMATE ONLY, PLEASE USE BAR AS TEMPLATE FOR ACTUAL CENTER TO CENTER MEASUREMENTS.

## 4 INSTALL HOSE AND HAND SHOWER

- Install SEAL (7) into COUPLING NUT (8). Connect COUPLING NUT (8) to WALL SUPPLY NIPPLE (9) and tighten.
- INSTALL second SEAL (9) into SPRAY HOSE END (10) and connect HAND SHOWER (11) to SPRAY HOSE (10). Hand tighten.

## 5 TEST INSTALLED HAND SHOWER

- Remove Hand Shower from the hose. Turn water supplies on to flush water lines thoroughly.
- Turn handles “off” and replace HAND SHOWER (1).
- Lift HAND SHOWER (1) from HOLDER (2) and direct spray into tub. Turn hand shower valve on to check HAND SHOWER (1) for proper operation and hose connections for leaks. ➡
- Use KNOB (3) on HOLDER (2) to adjust HAND SHOWER (1) height on slide bar.

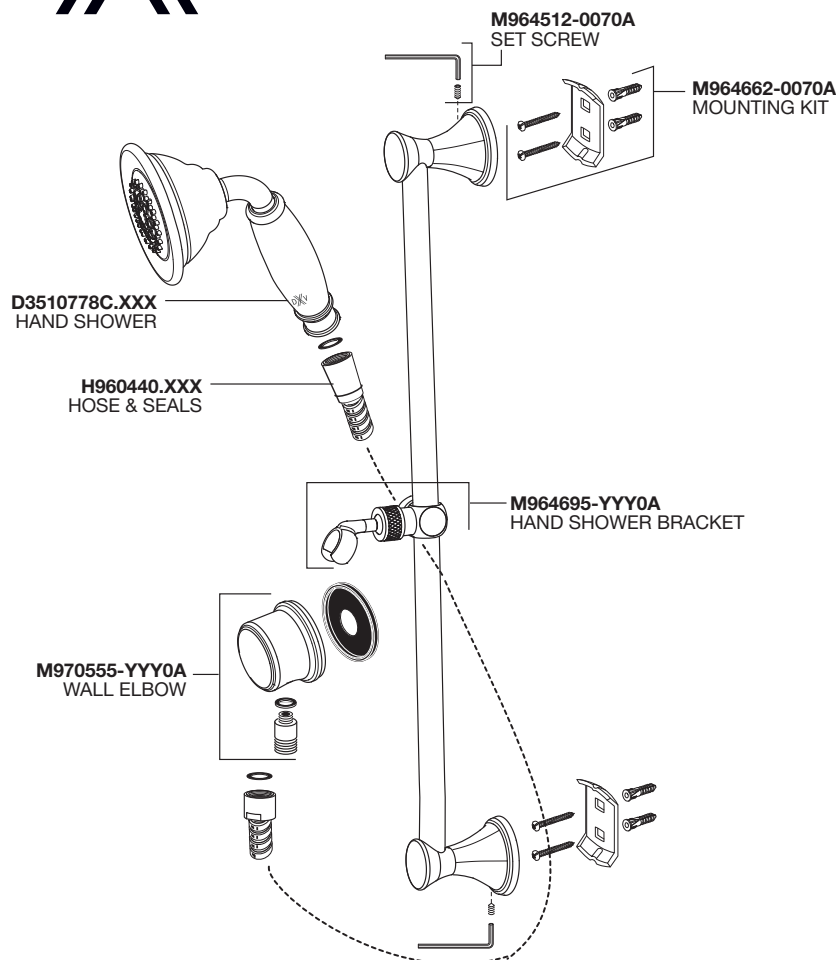


# DXV

## Fitzgerald® Personal Hand Shower with Adjustable Wall Mounted Bar

MODEL NUMBER

**D35160780**



Replace the “YYY” with appropriate finish code

|                 |     |
|-----------------|-----|
| POLISHED CHROME | 100 |
| BRUSHED NICKEL  | 144 |
| PLATINUM NICKEL | 150 |