

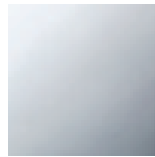


WC - Madison

Tissue holder with cover - polished chrome

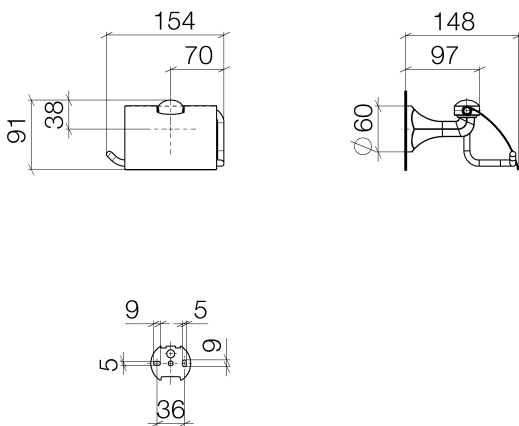
Article number: 83 510 361-00

- Width 5-3/4"
- Height 3-1/2"
- 5-7/8" Projection



polished chrome

Dimensional drawing



All dimensions in mm / inch = mm x 0,0394



WC - Madison

Tissue holder with cover - polished chrome

Article number: 83 510 361-00



WC - Madison
Tissue holder with cover - polished chrome
Article number: 83 510 361-00

Other surface finishes



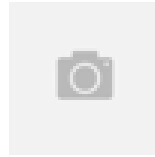
platinum matte
83 510 361-06



platinum
83 510 361-08



Durabrass
83 510 361-09



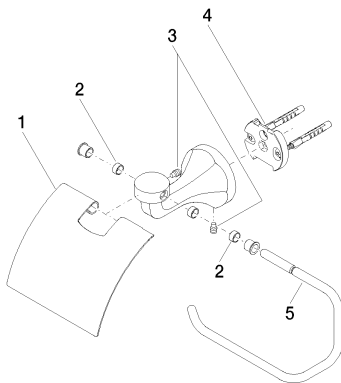
Brushed Durabrass
83 510 361-28



Dark Platinum matte
83 510 361-99

More custom finish options are available via special production (xTra Service). Please see our finish matrix for availability and pricing or contact a Dornbracht representative.

Spare parts list



Number	Item Number	Designation	Number of units
1	08 11 02 508-00	lid	1
2	08 18 40 505 90	sleeve	2
3	04 31 11 140 00 90	pin	2
4	05 17 97 507 00 90	fixing set	1
5	08 18 70 501-00	bow	1