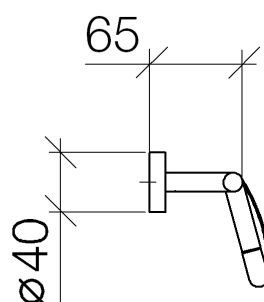
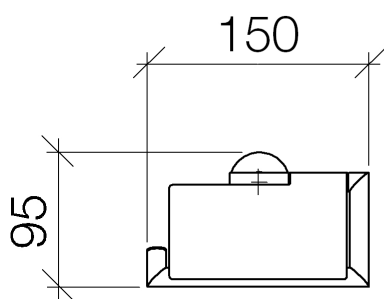
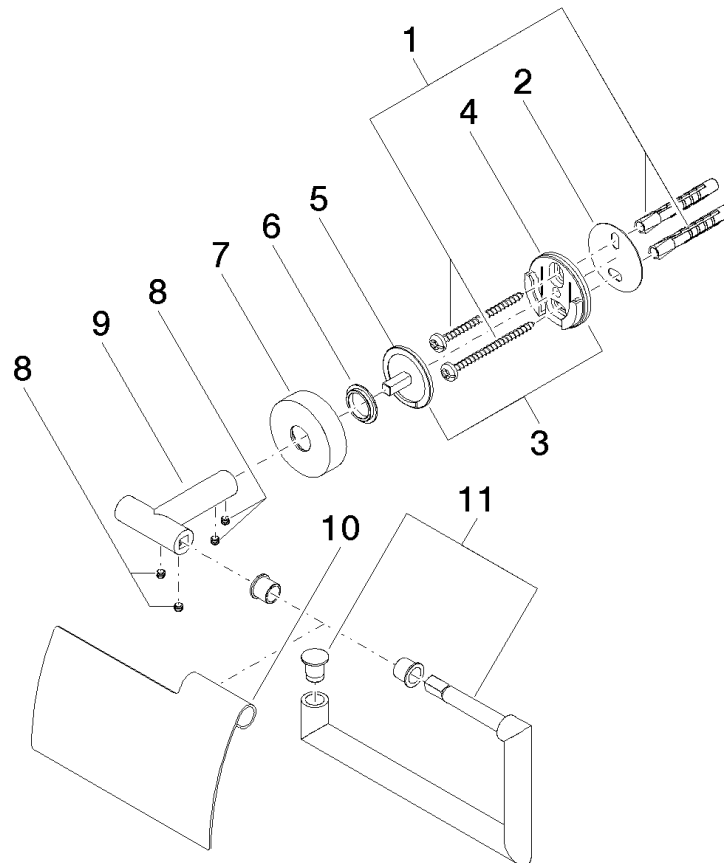


**Generic miscellaneous articles Tissue holder with cover "Modern"**  
Article number: 83510979



**Exploded assembly drawing**



## Generic miscellaneous articles Tissue holder with cover "Modern"

Article number: 83510979



### Order quantity

No.	Article number	Name	Installation quantity
1	0530310250090	fixing set	1
2	0530115190090	disc	1
3	0517975010190	fixing set	1
4	08179750107	holder	1
5	08179755990	holder	1
6	08301151690	ring	1
7	082797500ff	rosette	1
8	09311103890	pin	4
9	05179756201ff	holder	1
10	081102514ff	lid	1
11	90282262800ff	holder	1