

Berea Pressure-balance Valve with Diverter Trim 11-14P-T Installation Instructions



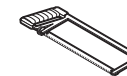
Tools You Will Need



Adjustable Wrench



Adjustable Pliers



Hacksaw



Teflon Tape



Screwdriver

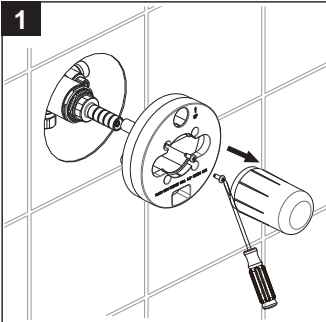
For ease of installation you will need:

- To read the installation instructions completely before beginning.
- To read all warnings, care, and maintenance information.
- To complete the valve rough-in prior to installing this trim kit.

Before beginning installation, check for any damage that may have occurred during transport.

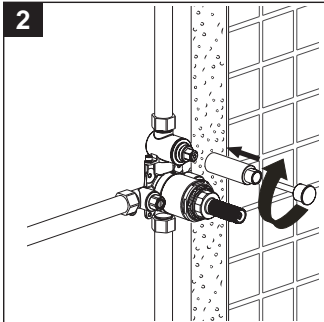
Note: Damage claims cannot be made during or after installation.

Installation Instructions



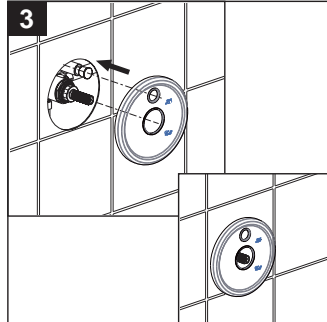
1

Remove the mud guard.



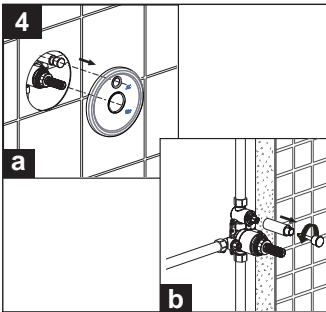
2

Install diverter sleeve, stem and button on to the valve.



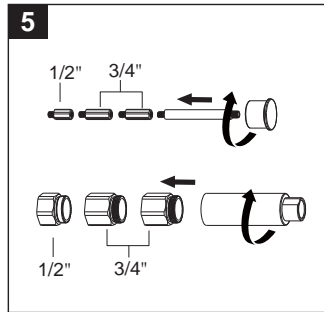
3

Carefully slide escutchen on valve. If diverter knob is accessible, go to step #13. If not continue to step #4.



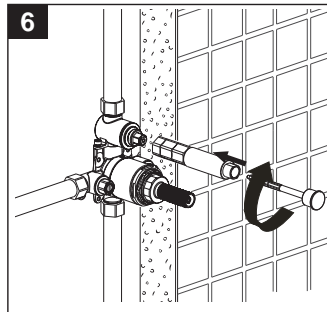
4

Remove escutcheon and diverter sleeve, stem and button.



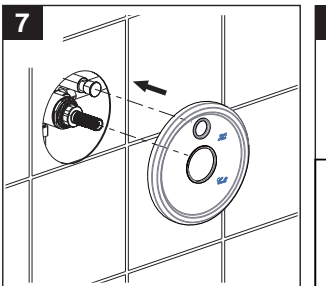
5

Install the appropriate diverter stem and sleeve extensions supplied with the trim to allow easy access to the diverter button.



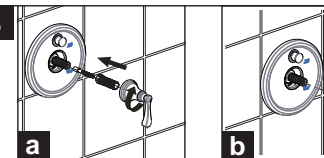
6

Install diverter stem and sleeve onto the valve.



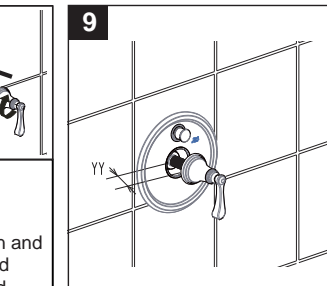
7

Carefully slide the escutcheon on valve.



8

a.) Add the threaded nipple and pressure balance stem extensions.
b.) Set the handle in the desired off position and place the handle assembly on the valve and rotate clockwise securing the assembly and escutcheon to the wall and engaging the stem.
-If all functions smoothly go to step #19.
-If the handle assembly will not bottom out on the escutcheon go to step #9.



9

Measure and note the distance 'YY' (the distance between the bottom of the handle assembly and the escutcheon).

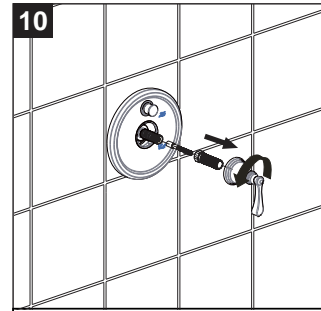
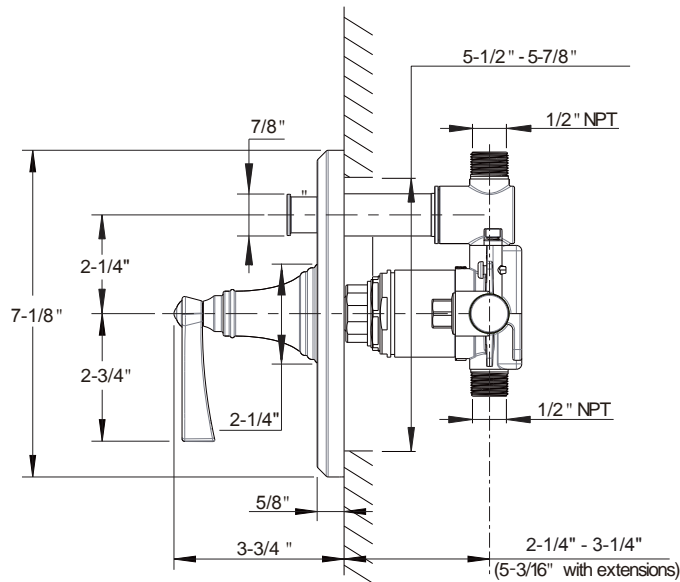
Applicable Standards/Codes

IAPMO certified to meet or exceed the following:

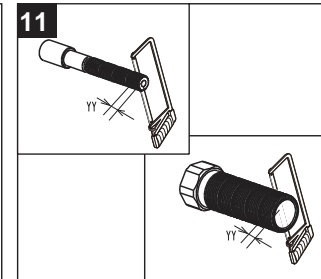
- ASME A112.18.1/CSA B125.1
- Uniform Plumbing Code
- National Plumbing Code of Canada
- ADA Compliant



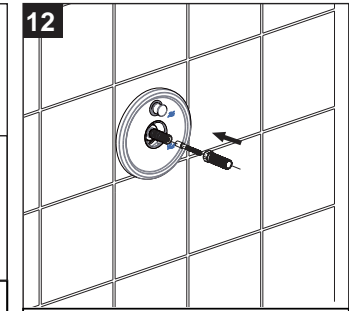
Installation Dimensions



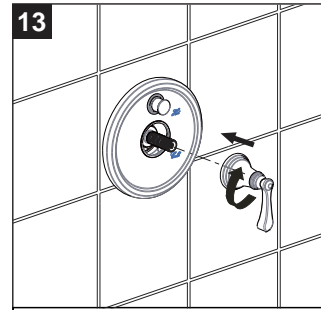
Remove the handle and escutcheon assembly, stem and nipple.



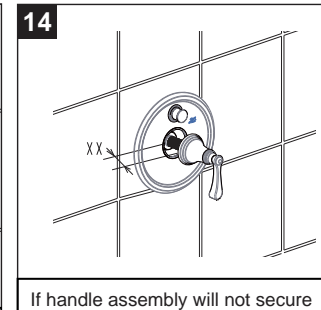
Cut stem and nipple extensions the amount noted in step # 9. (Never cut the stem and nipple while still on the valve. This may damage the valve.)



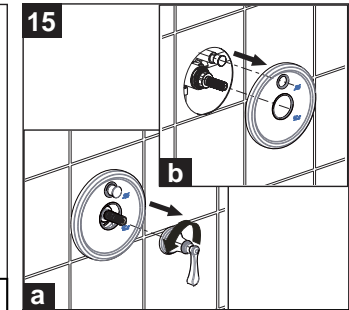
Reinstall the trimmed stem and nipple extensions.



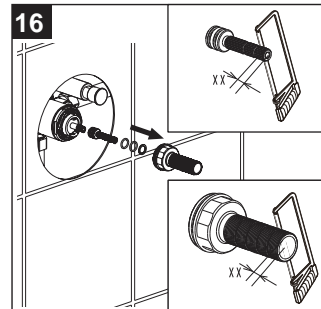
Place handle assembly on valve and rotate clockwise to secure escutcheon. Go to step #19.



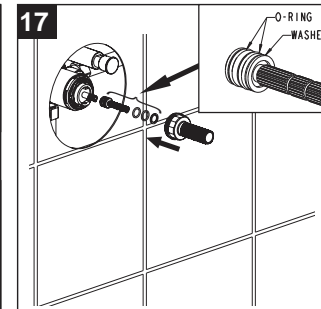
If handle assembly will not secure escutcheon to the wall, measure and note the distance 'XX' (the distance between the bottom of the handle assembly and the escutcheon)



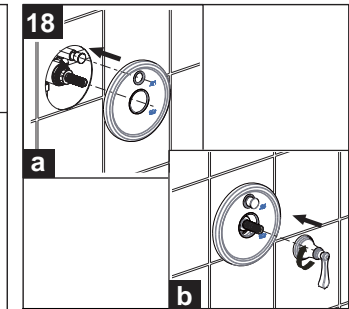
Remove the handle and escutcheon assembly, the plate, stem and nipple.



Cut stem and nipple the amount noted in step # 14. (Never cut the stem and nipple while still on the valve. This may damage the valve.)



Re-install the trimmed stem and nipple on the valve.

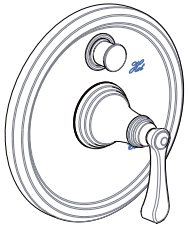


Place escutcheon on valve. Thread on handle assembly to secure escutcheon.

Warranty - This Crosswater London product is covered by a limited lifetime warranty. For full details, terms and conditions please visit our website.

For further information contact: **Crosswater London**, 393 Fortune Blvd., Milford, MA 01757
Toll free number: 844-XWATER-1 (844-992-8371) tel: 508-381-0433 fax: 508-381-6068

www.crosswaterlondon.com
email: technical@crosswaterlondon.com



Installation complete.

Cleaning Instructions

Rinse away any traces of soap and gently dry with a clean, soft cloth after each use. Rinse completely with water and dry any overspray. This will maintain the finish and avoid water spotting.

To remove mineral deposits, use a 50/50 solution of white vinegar and water. Do not allow the solution to soak on the product.

Simichrome Polish® contains a protective film to enhance maintenance and is helpful in preventing water spot buildup. Follow instructions to ensure optimum results.

Never use an abrasive material such as a brush or scouring pad to clean the surface. The use of abrasive cleaners, cleansers or disinfectants will alter the surface finish and void the warranty.

Do not allow certain materials such as toothpaste, cologne, shaving cream, nail polish remover, vinegar, wine, drain and glass cleaners to remain on the surface. Prolonged contact will alter surface finishes and void the warranty.

We DO NOT recommend using any household cleaners as many can cause damage to the finish.

Please see the website for care instructions for specific finishes.

Replacement Parts

No.	Description	Part No.
1	Diverter Knob & Stem	9Q1174
2	Diverter Knob Sleeve	5L0C0871
3	Diverter Knob Sleeve Extensions	9Q1175NT
4	Diverter Knob Stem Extensions	9Q1176NT
5	Threaded Nipple Extension	5T1C0319NT
6	Pressure Balance Stem Extension	5P0C0582NT
7	Handle Assembly	9Q1150

