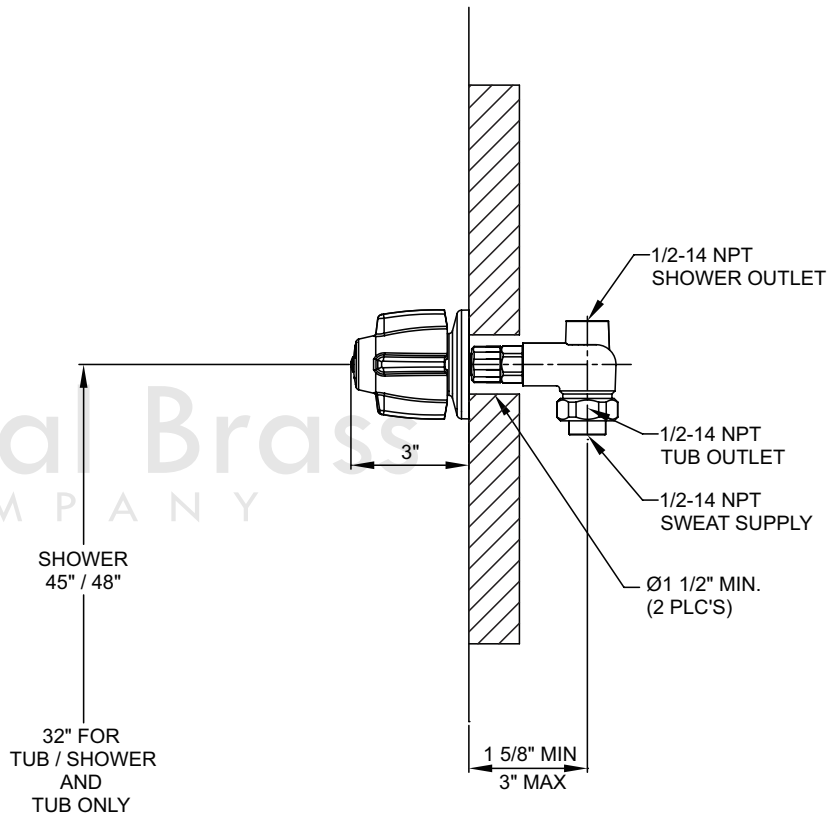
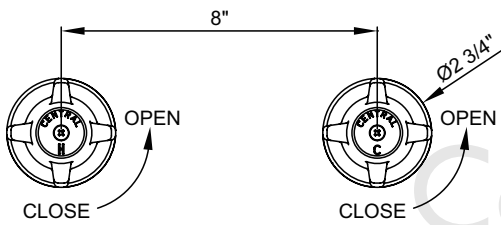


### Two Handle Valve Set

- Canopy Handles
- 1/2" IP or Copper Sweat Union Inlets
- Ceramic Discs
- 8" Centers
- Built-in Transfer Valve, Brass Plug Included

### Code and Standards

\*For other finishes and flow rates offered, please visit our website, email an inquiry to [sales@pioneerind.com](mailto:sales@pioneerind.com) or contact our sales at 800-338-9468



FLOOR