

Model# 0239-AP

Single Handle Basin Faucet

FEATURES & SPECIFICATIONS

- 4-Arm Handle With Optional Red/Blue Indexes
- W/Aerator
- 1/2-14 NPS Male Inlet x 2-1/4" Long
- Replaceable Seat
- 1-Hole Installation
- 1.5 GPM Flow Rate
- 1.5 GPM Flow Rate

FINISHES

- PC Polished Chrome

STANDARDS

- ASME A112.18.1
- ANSI / NSF 61, SECTION 9
- CUPC / IAPMO LISTED
- CONTAINS NO MORE THAN 0.25% WEIGHTED AVERAGE LEAD CONTENT



FLOW

- 1.5 GPM Flow Rate

WARRANTY

- Lifetime Limited Warranty
- Lifetime Residential Warranty
- 5 Year Commercial Warranty

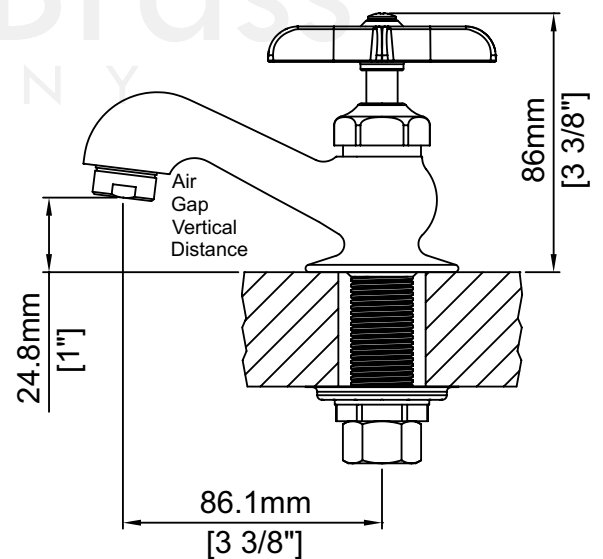
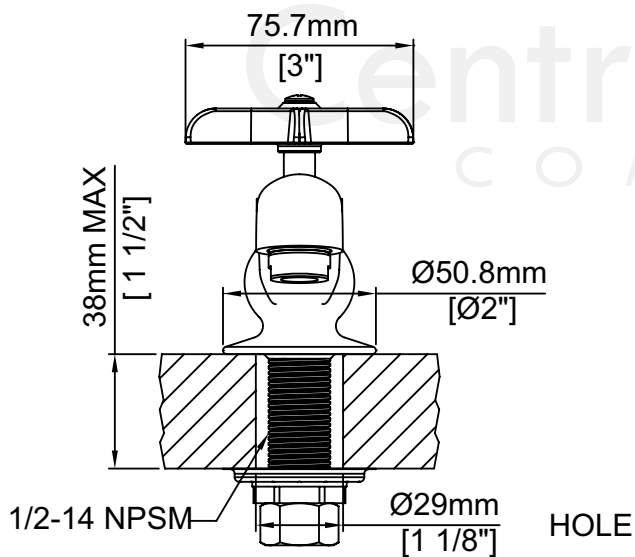
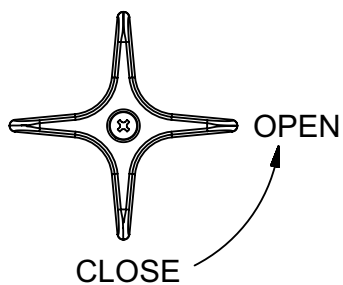
Job Name _____ Date _____
Model Specified _____ QTY _____
Customer/Wholesaler _____
Contractor _____
Architect/Engineer _____
Submitted as Shown _____
Submitted w/ Variations _____

0239-AP/REV. 11 2016

Product Specifications subject to change without notice

Model# 0239-AP

Single Handle Basin Faucet



0239-AP/REV. 11 2016

Product Specifications subject to change without notice