

## Model# 0031-H1/2H

### Self-Close Wallmount Faucet

#### FEATURES & SPECIFICATIONS

- 4-Arm Handle
- Hose Thread
- 1/2-14 NPT Male Thread
- Replaceable Seat
- 1-Hole Wallmount

#### FINISHES

- RC Rough Chrome

#### STANDARDS

- ASME A112.18.1



#### WARRANTY

- Lifetime Limited Warranty
- Lifetime Residential Warranty
- 5 Year Commercial Warranty

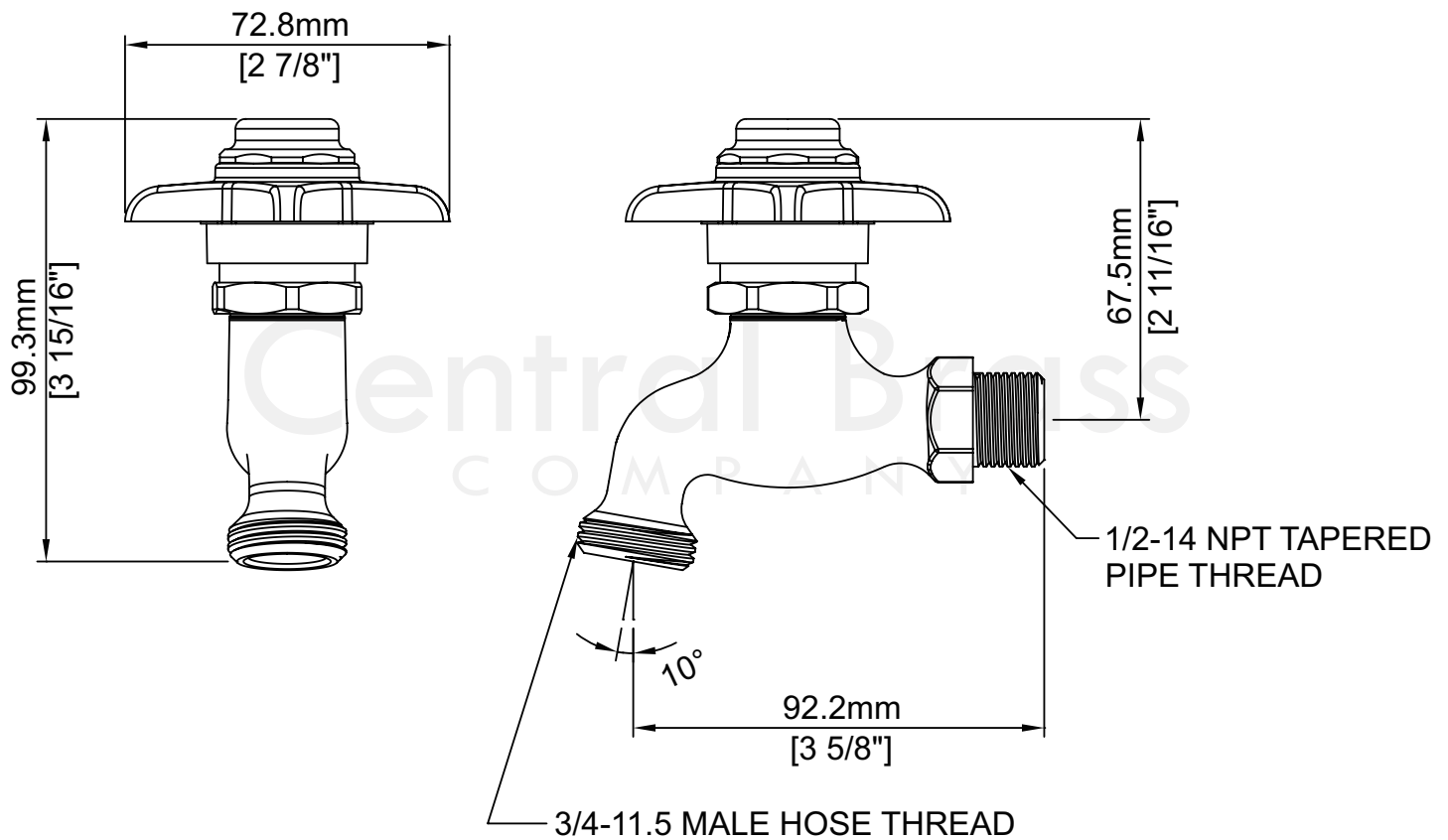
0031-H1/2H/REV. 11 2016

Product Specifications subject to change without notice

Job Name \_\_\_\_\_ Date \_\_\_\_\_  
Model Specified \_\_\_\_\_ QTY \_\_\_\_\_  
Customer/Wholesaler \_\_\_\_\_  
Contractor \_\_\_\_\_  
Architect/Engineer \_\_\_\_\_  
Submitted as Shown \_\_\_\_\_  
Submitted w/ Variations \_\_\_\_\_

## Model# 0031-H1/2H

### Self-Close Wallmount Faucet



0031-H1/2H/REV. 11 2016

Product Specifications subject to change without notice