

## Model# 0031-H1/2C

### Self-Close Wallmount Faucet

#### FEATURES & SPECIFICATIONS

- 4-Arm Handle
- Hose Thread
- 1/2-14 NPT Male Thread
- Replaceable Seat
- 1-Hole Wallmount

#### FINISHES

- RC Rough Chrome

#### STANDARDS

- ASME A112.18.1



#### WARRANTY

- Lifetime Limited Warranty
- Lifetime Residential Warranty
- 5 Year Commercial Warranty

0031-H1/2C/REV. 11 2016

Product Specifications subject to change without notice

Job Name \_\_\_\_\_ Date \_\_\_\_\_

Model Specified \_\_\_\_\_ QTY \_\_\_\_\_

Customer/Wholesaler \_\_\_\_\_

Contractor \_\_\_\_\_

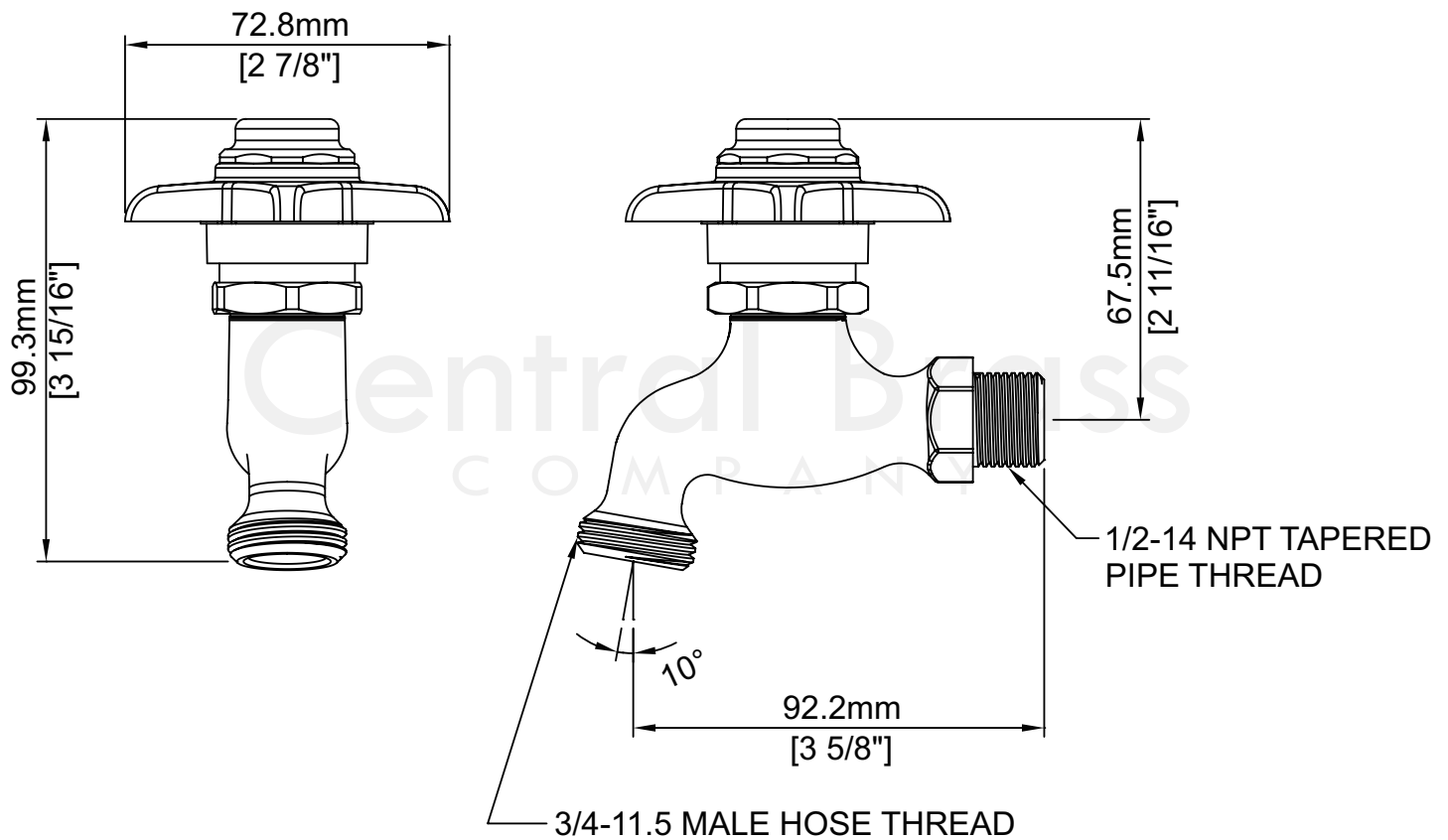
Architect/Engineer \_\_\_\_\_

Submitted as Shown \_\_\_\_\_

Submitted w/ Variations \_\_\_\_\_

## Model# 0031-H1/2C

### Self-Close Wallmount Faucet



0031-H1/2C/REV. 11 2016

Product Specifications subject to change without notice