

# BRIZO®

100897



Levoir™

Model/Modelo/Modèle

T65798LF-▲ & T65798LF-▲-ECO

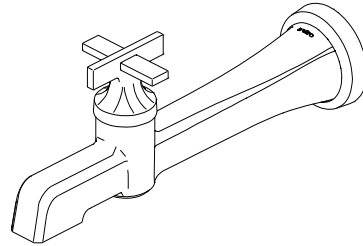
**SINGLE HANDLE WALL MOUNTED  
LAVATORY FAUCET TRIM**

**LLAVES DE AGUA DE UNA MANIJA PARA  
INSTALACIÓN DE PARED**

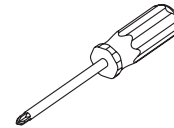
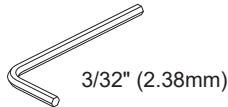
**ROBINETS AVEC MITIGEUR À MONTAGE  
MURAL POUR LAVABOS**

Write purchased model number here.  
Escriba aquí el número del modelo comprado.  
Inscrivez le numéro de modèle ici.

Rough-in R65700 required for installation, not included.  
Rough-in R65700 necesario para la instalación, no incluido.  
Rough-in R65700 requis pour l'installation, non inclus.



**You may need / Usted puede necesitar / Articles dont vous pouvez avoir besoin:**



**For easy installation of your Brizo® faucet  
you will need:**

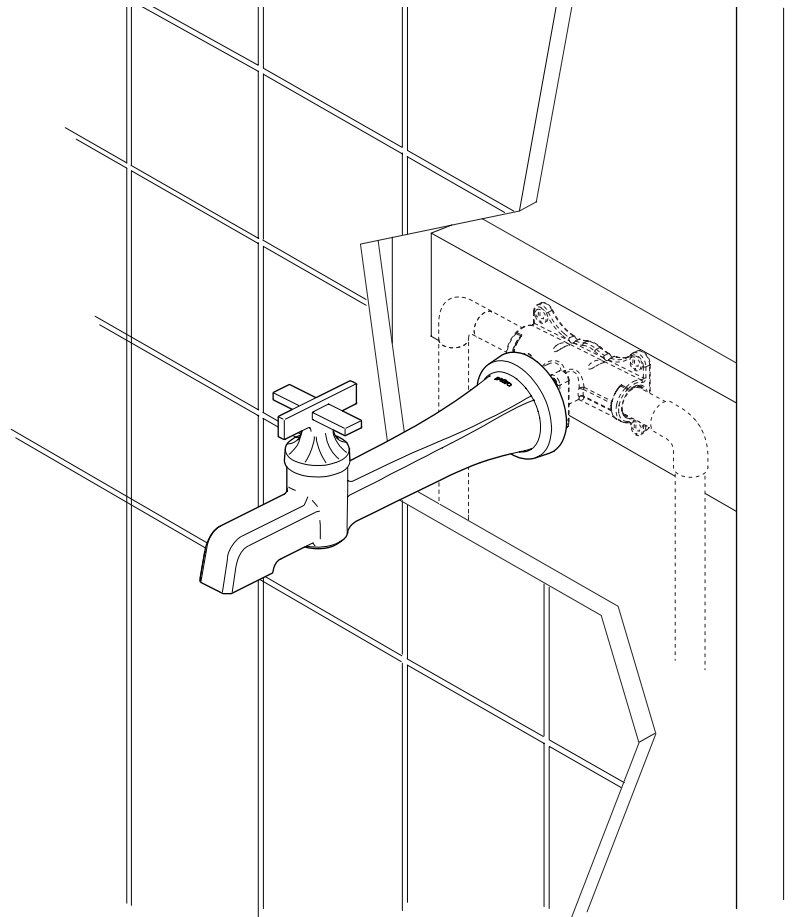
- To **READ ALL** the instructions completely before beginning.
- To **READ ALL** warnings, care and maintenance information.
- To complete the deck and valve rough-in prior to installing this trim kit.

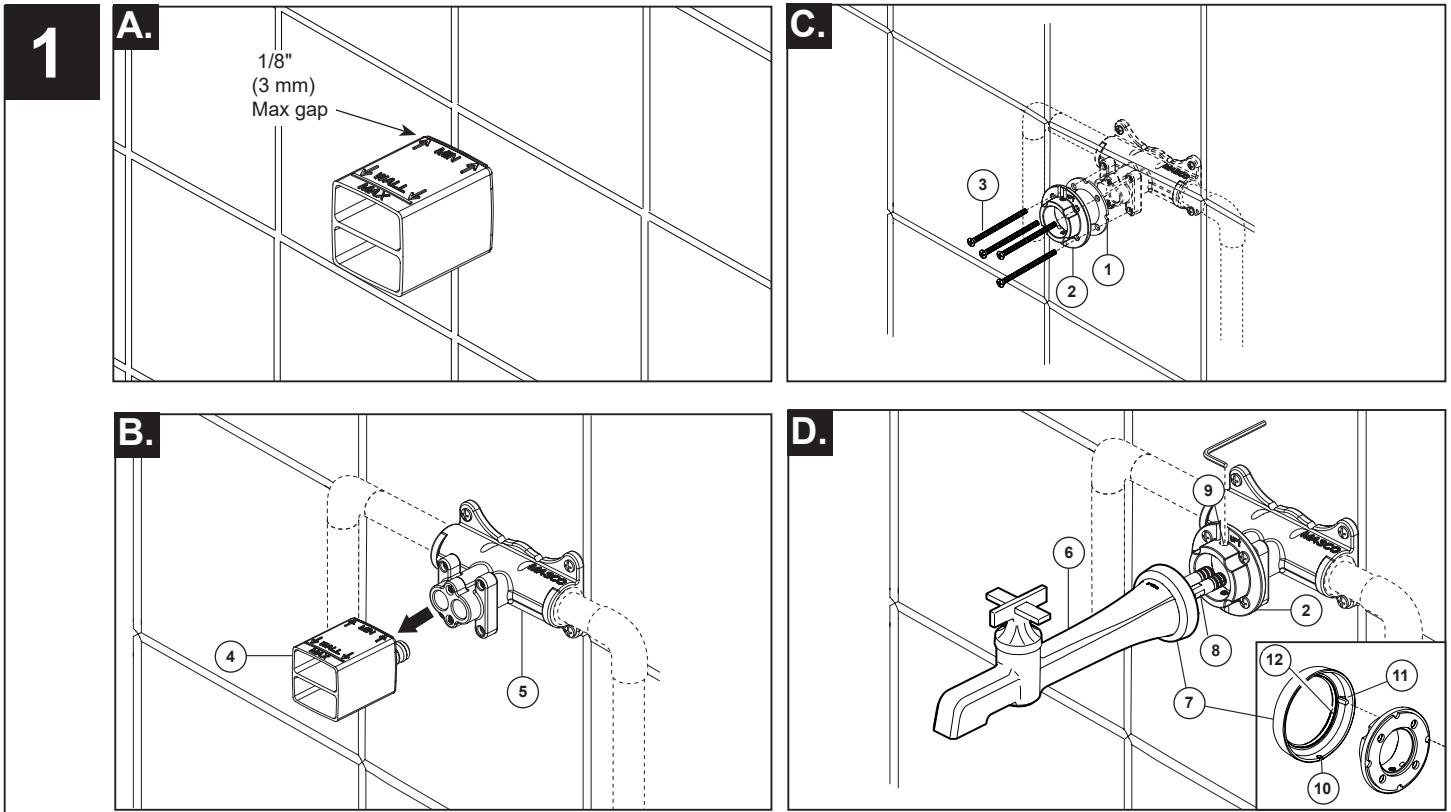
**Para instalación fácil de su llave Brizo®  
usted necesitará:**

- **LEER TODAS** las instrucciones completamente antes de empezar.
- **LEER TODAS** los avisos, cuidados, e información de mantenimiento.
- Para completar el borde y la instalación de válvulas dentro de las paredes previa a la instalación de la llave y sus accesorios.

**Pour installer votre robinet Brizo®  
facilement, vous devez:**

- **LIRE TOUTES** les instructions avant de débiter.
- **LIRE TOUJOURS** les avertissements ainsi que toutes les instructions de nettoyage et d'entretien.
- Installez le corps du robinet et terminez le pourtour du bain avant de poser les accessoires de finition.





**A.** Verify finished wall is located between Min/Max indicators on previously installed plasterguard from rough (R65700, not included).

**B.** Remove the test cap / plasterguard (4) from previously installed rough body (5) and store for future use.

**C.** Install gasket (1) and mounting base (2) in front of wall in proper orientation with "UP" on top. Secure to rough using four screws (3) provided. **Do not over tighten.** If mounting on uneven surface, silicone sealant may be required around mounting base.

**D.** Install trim (6), make sure protective o-ring (12) is in escutcheon (7) and carefully slide escutcheon (7) to base of trim. Align tubes (8) with opening in rough and push until completely seated into mounting base (2). Install two set screws (9) and tighten securely. Carefully slide escutcheon toward wall making sure weep hole (10) is located on bottom and pin (11) is aligned with hole in mounting base and push firmly against wall.

**A.** Verifique que la pared acabada se encuentra entre los indicadores Mín/ Máx en el cartón-yeso rugoso instalado previamente. (R65700, no incluido).

**B.** Retire la tapa de prueba/cartón-yeso (4) del cuerpo rugoso instalado previamente (5) y almacene para el uso futuro.

**C.** Instale la junta (1) y la base de montaje (2) en la orientación apropiada donde «UP» está en la parte superior. Fije a la superficie rugosa usando los cuatro tornillos (3) proporcionados. No apriete demasiado. Si se monta sobre una superficie irregular, es posible que se requiera la aplicación de sellador de silicona alrededor de la base de montaje.

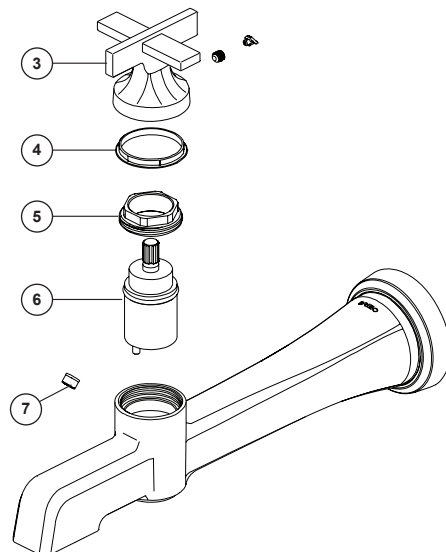
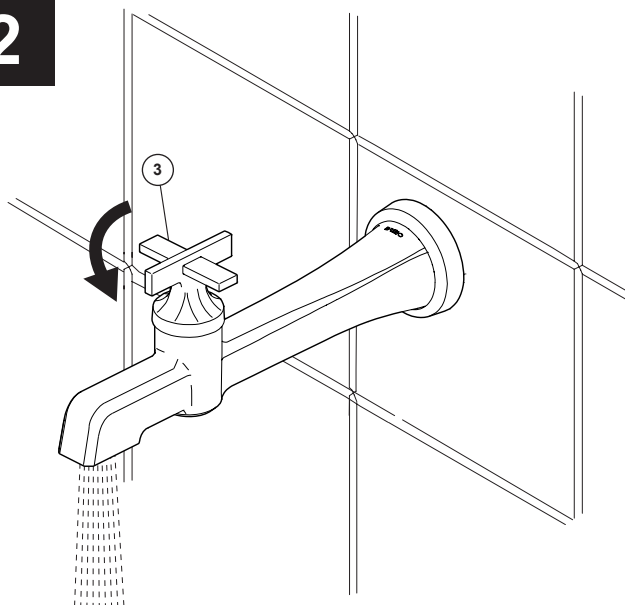
**D.** Instale el contramarco (6), asegúrese de que la junta tórica de protección (12) está en el rosetón (7) y deslice cuidadosamente el rosetón (7) a la base del contramarco. Alinee los tubos (8) con abertura en la superficie rugosa y empuje hasta que encajen completamente en la base de montaje (2). Instale dos tornillos de fijación (9) y apriete firmemente. Deslice el rosetón con cuidado hacia la pared, asegurándose de que el agujero de escape (10) está situado en la parte inferior y el pasador (11) está alineado con el agujero en la base de montaje. A continuación, empuje firmemente contra la pared.

**A.** Vérifier que le mur fini se trouve entre les indicateurs Min/Max sur la protection contre le plâtre précédemment installée à partir de la partie rugueuse (R65700, non incluse).

**B.** Retirer le bouchon d'essai/la protection contre le plâtre (4) du corps rugueux précédemment installé (5) et stocker pour une utilisation future.

**C.** Installer le joint (1) et le socle de fixation (2) dans une orientation appropriée avec "UP" au-dessus. Fixer à la partie rugueuse à l'aide de quatre vis (3) fournies. Ne pas serrer excessivement. En cas de montage sur une surface inégale, un mastic silicone peut être nécessaire autour de la base de montage.

**D.** Installer la garniture (6), s'assurer que le joint torique de protection (12) est dans la rosace (7) et soigneusement faire glisser la rosace (7) à la base de la garniture. Aligner les tubes (8) avec l'ouverture dans la partie rugueuse et pousser jusqu'à ce qu'ils soient complètement assis dans le socle de fixation (2). Installer deux vis de réglage (9) et serrer fermement. Faire délicatement glisser la rosace vers le mur en s'assurant que le trou d'évacuation (10) se trouve sur le fond et la broche (11) est alignée avec le trou dans le socle de fixation et pousser fermement contre le mur.

**2**

### Flush your system

Turn on water supplies, if closed. Turn faucet handle (3) to the full on position and flush water lines for one minute.

**Important:** This flushes away any debris that could cause damage to internal parts. Check all connections for leaks. Repair as needed.

### Purgado del sistema

Abra las llaves de paso de agua, si están cerradas. Quite el aireador (1) usando la herramienta (2) suministrada con su llave de agua y gire la manija de la llave de agua (3) a la posición completamente abierta y deje correr el agua por las tuberías durante un minuto.

**Importante:** Esto limpia cualquier residuo que pudiera causar daños a las partes internas. Revise las conexiones para verificar que no haya ninguna pérdida. Haga las reparaciones necesarias.

### Rincez le système

Ouvrez les robinets du réseau d'alimentation en eau, s'ils étaient fermés. Enlevez l'aérateur (1) à l'aide de la outil (2) fournie avec le robinet. et ouvrez les an manettes (3) à fond. Rincez les conduites pendant toute une minute.

**Important:** Le fait de laisser couler l'eau permet d'évacuer les corps étrangers qui pourraient abîmer les composants an internes. Vérifiez l'étanchéité de tous les raccords. Réparez s'il y a lieu.

### Maintenance

#### SHUT OFF WATER SUPPLIES

**If faucet exhibits very low flow:** SHUT OFF WATER SUPPLIES.

A. Remove debris from flow regulator (7) using a small soft brush.

**If faucet leaks from under handle:** SHUT OFF WATER SUPPLIES.

A. Remove handle (3) and glide ring (4).

B. Replace valve cartridge (6). When reinstalling parts, make sure bonnet nut (5) is tightened securely **with a wrench.\***

**If leak persists:** SHUT OFF WATER SUPPLIES.

Replace valve cartridge (6) RP100206\*

**If faucet leaks from spout outlet:** SHUT OFF WATER SUPPLIES.

Replace valve cartridge (6) RP100206\*

**If faucet exhibits very low flow:** SHUT OFF WATER SUPPLIES.

Remove and replace flow regulator (7) RP92769-1.5 or RP92770-1.2

### Mantenimiento

#### CIERRE LOS SUMINISTROS DE AGUA

**Si el grifo exhibe un flujo de agua muy bajo:** CIERRE LOS SUMINISTROS DE AGUA.

A. Retire los residuos del regulador de flujo (7) usando un pequeño cepillo suave.

**Si la llave de agua/grifo gotea por debajo de la manija:** CIERRE LOS SUMINISTROS DE AGUA.

A. Retire la manija (3) y la anillo de deslizamiento (4).

B. Reemplace la válvula de cartucho (6). Al volver a instalar las piezas, con una llave inglesa asegúrese de que la tuerca tapa (5) **esté bien apretada.\***

**Si la fuga persiste:** CIERRE LOS SUMINISTROS DE AGUA.

Reemplace la válvula de cartucho (6) RP100206\*

**Si la llave de agua/grifo tiene fugas por la salida del surtidor:** CIERRE LOS SUMINISTROS DE AGUA.

Reemplace la válvula de cartucho (6) RP100206\*

**Si el grifo exhibe un flujo de agua muy bajo:** CIERRE LOS SUMINISTROS DE AGUA.

Retire y reemplace el regulador de flujo (7) RP92769-1.5 o RP92770-1.2

### Entretien

#### FERMEZ LES ROBINETS D'ALIMENTATION

**Si le débit du robinet est très faible :** FERMEZ LES ROBINETS D'ALIMENTATION.

A. Retirez les corps étrangers du régulateur de débit (7) à l'aide d'un petit pinceau aux poils souples.

**Si le robinet fuit sous la manette :** FERMEZ LES ROBINETS D'ALIMENTATION.

A. Retirez la manette (3) et le anneau de glissement (4).

B. Remplacez la cartouche de soupape (6). Lorsque vous remontez les pièces, assurez-vous que l'écrou-chapeau (5) est serré solidement **à l'aide d'une clé.\***

**Si la fuite persiste :** FERMEZ LES ROBINETS D'ALIMENTATION.

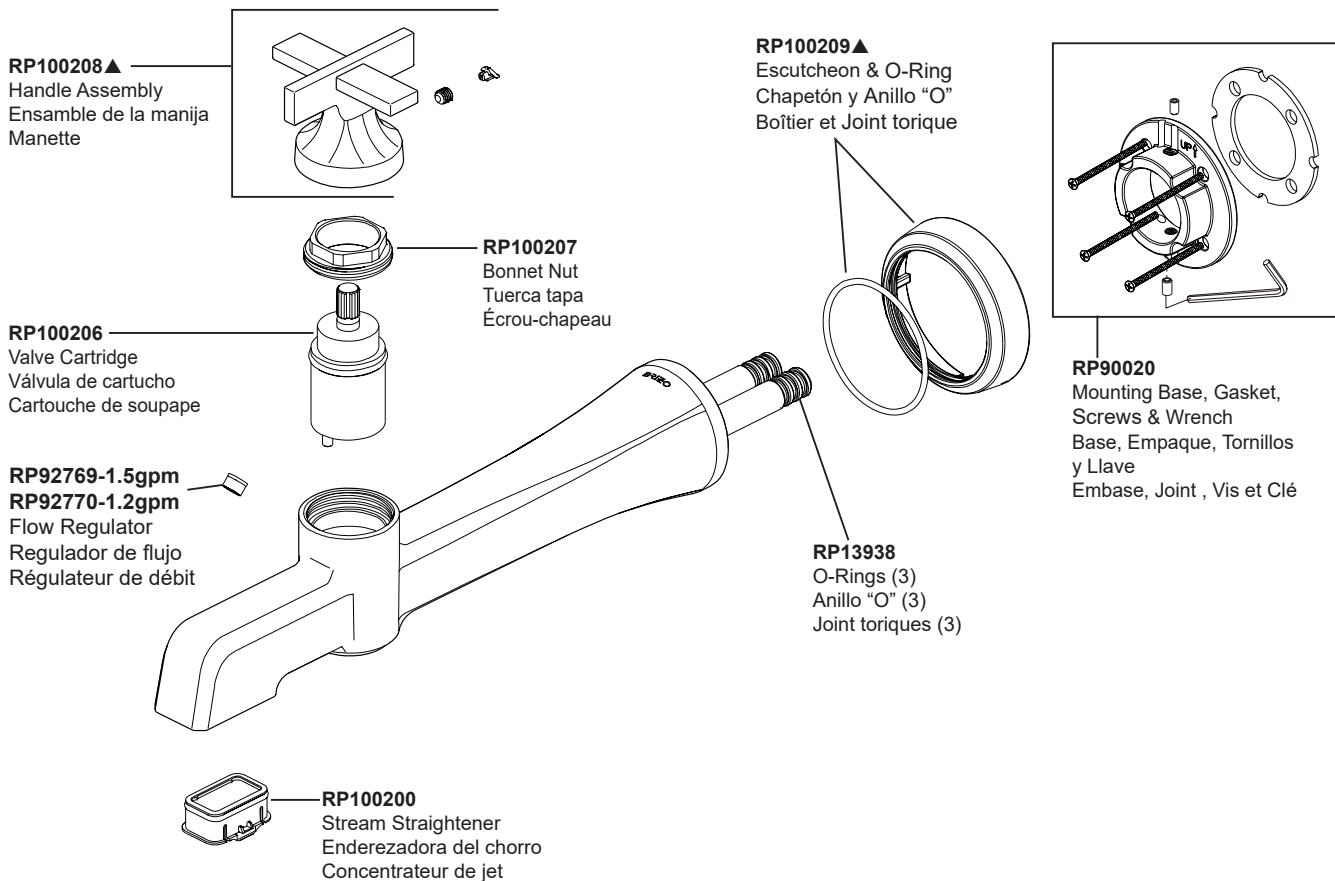
Remplacez la cartouche de soupape (6) RP100206\*.

**Si le robinet fuit par la sortie du bec :** FERMEZ LES ROBINETS D'ALIMENTATION.

Remplacez la cartouche de soupape (6) RP100206\*

**Si le débit du robinet est très faible :** FERMEZ LES ROBINETS D'ALIMENTATION.

Enlevez et remplacez le régulateur de débit (7) RP92769-1.5 ou RP92770-1.2



▲ Specify Finish / Especificque el Acabado / Précisez le Fini

**Optional - Drain Sold Separately**  
**Opcional - El desagüe se vende por separado**  
**Facultative - Renvoi vendu séparément**



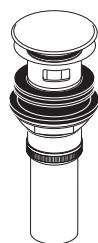
**RP72411▲**  
Grid Strainer  
without Overflow  
(Optional, not included)  
Cesta/colador para el  
Desagüe sin Rebosadero  
(Opcional, no incluido)  
Crépine sans trop-plein  
(Option, non inclus)



**RP72412▲**  
Grid Strainer  
with Overflow  
(Optional, not included)  
Cesta/colador para el  
Desagüe con  
Rebosadero  
(Opcional, no incluido)  
Crépine avec trop-plein  
(Option, non inclus)



**RP72413▲**  
Push Pop-Up  
without Overflow  
(Optional, not included)  
Control de rebose sin  
desagües manuales  
(Opcional, no incluido)  
Renvoi mécanique à  
poussoir sans trop-plein  
(Option, non inclus)



**RP72414▲**  
Push Pop-Up  
with Overflow  
(Optional, not included)  
Control de rebose para  
desagües manuales  
(Opcional, no incluido)  
Renvoi mécanique à  
poussoir avec trop-plein  
(Option, non inclus)



**RP81627▲**  
Push Pop-Up  
without Overflow  
(Optional, not included)  
Control de rebose sin  
desagües manuales  
(Opcional, no incluido)  
Renvoi mécanique à  
poussoir sans trop-plein  
(Option, non inclus)



**RP81628▲**  
Push Pop-Up  
with Overflow  
(Optional, not included)  
Control de rebose para  
desagües manuales  
(Opcional, no incluido)  
Renvoi mécanique à  
poussoir avec trop-plein  
(Option, non inclus)

**CLEANING AND CARE**

Care should be given to the cleaning of this product. Although its finish is extremely durable, it can be damaged by harsh abrasives or polish. To clean, simply wipe gently with a damp cloth and blot dry with a soft towel.

**LIMPIEZA Y CUIDADO DE SU LLAVE**

Tenga cuidado al ir a limpiar este producto. Aunque su acabado es sumamente durable, puede ser afectado por agentes de limpieza o para pulir abrasivos. Para limpiar su llave, simplemente frótela con un trapo húmedo y luego séquela con una toalla suave.

**INSTRUCTIONS DE NETTOYAGE**

Il faut le nettoyer avec soin. Même si son fini est extrêmement durable, il peut être abîmé par des produits fortement abrasifs ou des produits de polissage. Il faut simplement le frotter doucement avec un chiffon humide et le sécher à l'aide d'un chiffon doux.

**Notes / Notas / Notes**

**Parts and Finish.** All parts (other than electronic parts, air switch power modules, batteries, and parts not supplied by Brizo Kitchen & Bath Company) and finishes of Brizo® faucets purchased from authorized Brizo sellers are warranted to the original consumer purchaser to be free from defects in material and workmanship for as long as the original consumer purchaser owns the home in which the faucet was first installed. For commercial purchasers, (a) the warranty period is ten (10) years for multi-family residential applications and (b) five (5) years for all other commercial uses, in each case from the date of purchase. For purposes of this warranty, the term "multi-family residential application" refers to the purchase of the faucet from an authorized Brizo seller by a purchaser who owns but does not live in the residential dwelling in which the faucet is initially installed, such as in a rented or leased single unit or multi-unit detached home (duplex or townhome), or a condominium, apartment building or community living center. The following installations are not considered multi-family residential applications, are excluded from the 10-year warranty, and are subject to the 5-year warranty: industrial, institutional or other business premises, such as a dormitory, hospitality premises (hotel, motel, or extended stay location), airport, educational facility, long- or short-term healthcare facility (hospital, rehabilitation center, nursing, assisted or staged-care living unit), public space or common area.

**Electronic Parts and Batteries (if applicable).** Electronic parts (other than air switch power modules and batteries), if any, in Brizo® faucets purchased from authorized Brizo sellers are warranted to the original consumer purchaser to be free from defects in material and workmanship for five (5) years from the date of purchase or, for commercial users, for one (1) year from the date of purchase. No warranty is provided on batteries.

**Air Switch Power Module.** The electronic power module of Brizo® air switches purchased from authorized Brizo sellers is warranted to the original consumer purchaser to be free from defects in material and workmanship for two (2) years from the date of purchase or, for commercial users, for one (1) year from the date of purchase.

**What We Will Do.** Brizo Kitchen & Bath Company will repair or replace, free of charge, during the applicable warranty period (as described above), any part or finish that proves defective in material and/or workmanship under normal installation, use, and service. Brizo Kitchen & Bath Company may, in its sole discretion, use new, refurbished or recertified parts or products for such repair or replacement. If repair or replacement is not practical, Brizo Kitchen & Bath Company may elect to refund the purchase price in exchange for the return of the product. **These are your exclusive remedies.**

**What Is Not Covered.** Because Brizo Kitchen and Bath Company is unable to control the quality of Brizo products sold by unauthorized sellers, unless otherwise prohibited by law, this warranty does not cover Brizo products purchased from unauthorized sellers (visit Brizo.com to see a list of our Authorized Online Resellers).

Any labor charges incurred by the purchaser to repair, replace, install or remove this product are not covered by this warranty. Brizo Kitchen & Bath Company shall not be liable for any damage to the product resulting from reasonable wear and tear, outdoor use, misuse (including use of the product for an unintended application), freezing water, abuse, neglect, or improper or incorrectly performed assembly, installation, maintenance or repair, including failure to follow the applicable care and cleaning instructions. Customized components purchased by the consumer or commercial user and installed into a Brizo product, and any damage resulting from removal or improper installation of such components, are not covered by this warranty.

Brizo Kitchen & Bath Company recommends using a professional plumber for all installation and repair of faucets. We also recommend that you use only genuine Brizo® replacement parts.

## Limited Warranty on Brizo® Faucets

**What You Must Do To Obtain Warranty Service or Replacement Parts.** A warranty claim may be made and replacement parts may be obtained by calling 1-877-345-BRIZO (2749) or by contacting us by mail or online as follows (please include your model number and date of purchase):

### In the United States and Mexico:

Brizo Kitchen & Bath Company  
55 E. 111th Street  
Indianapolis, IN 46280  
Attention: Warranty Service  
<https://www.brizo.com/customer-support/contact-us>

### In Canada:

Masco Canada Limited, Plumbing Group  
Technical Service Centre  
350 South Edgeware Road  
St. Thomas, Ontario, Canada N5P 4L1  
<https://www.brizo.com/customer-support/contact-us>

Proof of purchase (original sales receipt) from the original purchaser must be made available to Brizo Kitchen & Bath Company for all warranty claims unless the purchaser has registered the product with Brizo Kitchen & Bath Company. This warranty applies only to Brizo® faucets installed in the United States of America, Canada, and Mexico.

**Limitation on Duration of Implied Warranties.** Please note that some states/provinces (including Quebec) do not allow limitations on how long an implied warranty lasts, so the below limitations may not apply to you. TO THE MAXIMUM EXTENT PERMITTED BY APPLICABLE LAW, ANY IMPLIED WARRANTY, INCLUDING THE IMPLIED WARRANTIES OF MERCHANTABILITY AND OF FITNESS FOR A PARTICULAR PURPOSE, IS LIMITED TO THE STATUTORY PERIOD OR THE DURATION OF THIS WARRANTY, WHICHEVER IS SHORTER.

**Limitation of Special, Incidental or Consequential Damages.** Please note that some states/provinces (including Quebec) do not allow the exclusion or limitation of special, incidental, or consequential damages, so the below limitations and exclusions may not apply to you. TO THE MAXIMUM EXTENT PERMITTED BY APPLICABLE LAW, THIS WARRANTY DOES NOT COVER, AND BRIZO KITCHEN & BATH COMPANY SHALL NOT BE LIABLE FOR ANY SPECIAL, INCIDENTAL, OR CONSEQUENTIAL DAMAGES (INCLUDING LABOR CHARGES TO REPAIR, REPLACE, INSTALL OR REMOVE THIS PRODUCT), WHETHER ARISING OUT OF BREACH OF ANY EXPRESS OR IMPLIED WARRANTY, BREACH OF CONTRACT, TORT, OR OTHERWISE. BRIZO KITCHEN & BATH COMPANY SHALL NOT BE LIABLE FOR ANY DAMAGE TO THE FAUCET RESULTING FROM REASONABLE WEAR AND TEAR, OUTDOOR USE, MISUSE (INCLUDING USE OF THE PRODUCT FOR AN UNINTENDED APPLICATION, FREEZING WATER, ABUSE, NEGLIGENCE OR IMPROPER OR INCORRECTLY PERFORMED ASSEMBLY, INSTALLATION, MAINTENANCE OR REPAIR, INCLUDING FAILURE TO FOLLOW THE APPLICABLE INSTALLATION, CARE AND CLEANING INSTRUCTIONS. Notice to residents of the State of New Jersey: The provisions of this warranty, including its limitations, are intended to apply to the fullest extent permitted by the laws of the State of New Jersey.

**Additional Rights.** This warranty gives you specific legal rights, and you may also have other rights which vary from state/province to state/province.

This is Brizo Kitchen & Bath Company's exclusive written warranty, and the warranty is not transferable.

If you have any questions or concerns regarding our warranty, please contact us as provided above or visit our website at [www.brizo.com](http://www.brizo.com). © 2022 Masco Corporation of Indiana

## Garantía limitada de los grifos Brizo®

**Piezas y Acabados.** Todas las piezas (excepto los componentes electrónicos, los módulos eléctricos de interruptor de aire, las pilas y partes no suministradas por Brizo Kitchen and Bath Company) y acabados de las llaves de agua/grifo Brizo® comprados de vendedores de Brizo autorizados están garantizados al consumidor comprador original de estar libres de defectos en material y fabricación durante el tiempo que el comprador original sea propietario de la vivienda en la que la llave de agua fue originalmente instalada. Para los usuarios comerciales, (a) el período de garantía es de diez (10) años para aplicaciones en viviendas multifamiliares (apartamentos y condominios y b) cinco (5) años para todos los demás usos comerciales, en cada caso desde la fecha de compra. Para los propósitos de esta garantía, el término "aplicación multifamiliar residencial" se refiere a la compra del grifo de un vendedor de Brizo autorizado por el comprador propietario, pero que no vive en la vivienda residencial donde inicialmente se instaló la llave de agua, como en una unidad alquilada o arrendada, o unidad o vivienda unifamiliar separada (dúplex o casas adosadas), o un condominio, edificio de apartamentos o centro de vivienda comunitaria. Las siguientes instalaciones no se consideran aplicaciones multifamiliares, están excluidas de la garantía de 10 años y están sujetas a la garantía de cinco años: instalaciones industriales, institucionales u otras instalaciones comerciales, como dormitorios, instalaciones de hotelería (hotel, motel) o una alberga para estancias prolongadas), aeropuerto, centro educativo, centro de atención de salud a corto o largo plazo (hospital, centro de rehabilitación, enfermería, unidad de vivienda asistida o una unidad residencial de cuidado), espacio público o área común.

**Piezas electrónicas y pilas (si aplicable).** Las piezas electrónicas (excepto los módulos de los interruptores de aire y las pilas), si las hay, de esta llave de agua/grifo Brizo® están garantizadas al consumidor comprador original de estar libres de defectos en material y fabricación durante cinco (5) años a partir de la fecha de compra en el caso de los consumidores comerciales, durante un (1) año a partir de la fecha de compra. No ofrecemos garantía en las pilas.

**Módulos del interruptor de aire.** Los módulos eléctricos de los interruptores de aire Brizo® comprados a vendedores autorizados de Brizo están garantizados al comprador consumidor original estar libres de defectos de material y mano de obra durante dos (2) años a partir de la fecha de compra o, para usuarios comerciales, por uno (1) año desde la fecha de compra.

**Lo que haremos.** La compañía Brizo Kitchen & Bath Company reparará o reemplazará, sin costo alguno, durante el período de garantía aplicable (como descrito arriba) cualquier pieza o acabado que demuestre estar defectuosa en material y/o fabricación bajo la instalación, el uso y el servicio normal. Si la reparación o el reemplazo no es práctico, Brizo Kitchen & Bath Company puede optar por reembolsarle el precio de compra a cambio de la devolución del producto. **Estos son sus remedios exclusivos.**

**Lo que no está cubierto.** Debido a que Brizo Kitchen and Bath Company no puede controlar la calidad de los productos Brizo vendidos por vendedores no autorizados, a menos que la ley lo prohíba, esta garantía no cubre los productos Brizo comprados a vendedores no autorizados (visite Brizo.com para ver una lista de nuestros vendedores autorizados en línea).

Cualquier cargo por mano de obra incurrido por el comprador para reparar, reemplazar, instalar o desmontar este producto no está cubierto por esta garantía. Brizo Kitchen & Bath Company no será responsable por cualquier daño al grifo que resulte del desgaste razonable, uso en el exterior de la propiedad, uso indebido (incluyendo el uso del producto para una aplicación indebida), agua helada, abuso, negligencia, o instalación, mantenimiento o reparación realizadas incorrectamente, incluyendo el no seguir las instrucciones correspondientes para el cuidado, la limpieza y el mantenimiento. Los componentes personalizados comprados por el consumidor o usuario comercial e instalados en un producto Brizo, y cualquier daño resultante por la extracción o instalación incorrecta de dichos componentes, no están cubiertos por esta garantía.

Brizo Kitchen & Bath Company recomienda que un plomero profesional haga toda la instalación y las reparaciones. También recomendamos que use solo piezas de repuestos originales Brizo®.

**Lo que usted debe hacer para obtener servicio de garantía o piezas de repuesto.** Puede hacer un reclamo para la garantía y puede obtener piezas de repuesto llamando al 1-877-345-BRIZO (2749) o contactándonos por correo o en línea de la siguiente manera (por favor incluya su número de modelo y fecha de compra):

### En Estados Unidos y México:

Brizo Kitchen & Bath Company  
55 E. 111th Street  
Indianapolis, IN 46280  
Atención: Servicio de Garantía  
<https://www.brizo.com/customer-support/contact-us>

### En Canadá:

Masco Canada Limited, Plumbing Group  
Technical Service Centre  
350 South Edgeware Road  
St. Thomas, Ontario, Canada N5P 4L1  
<https://www.brizo.com/customer-support/contact-us>

El comprobante de compra (recibo de venta original) del comprador original debe estar disponible a Brizo Kitchen & Bath Company para todos los reclamos de garantía a menos que el comprador haya registrado el producto con Brizo Kitchen & Bath Company. Esta garantía se aplica solo a las llaves de agua/grifos Brizo® instaladas en los Estados Unidos de América, Canadá y México.

**La limitación de la duración de las garantías implícitas.** Favor tome nota de que algunos estados/provincias (incluyendo Quebec) no permiten limitaciones de la duración de una garantía implícita por lo que las limitaciones a continuación puedan no aplicarse. HASTA EL ALCANCE EN QUE LA LEY LO PERMITA, CUALQUIER GARANTÍA IMPLÍCITA, INCLUIDAS LAS GARANTÍAS IMPLÍCITAS DE COMERCIABILIDAD Y DE IDONEIDAD PARA UN PROPOSITO PARTICULAR, ESTÁ LIMITADA AL PERÍODO LEGAL O A LA DURACIÓN DE ESTA GARANTÍA, LO QUE SEA MÁS CORTO.

**Limitation of Special, Incidental or Consequential Damages.** Favor tome nota de que algunos estados/provincias (incluyendo Quebec) no permiten exclusión o limitación de daños especiales, incidentales o consecuentes, por lo cual las siguientes limitaciones y exclusiones puedan no aplicarse. HASTA EL ALCANCE MÁXIMO EN QUE LA LEY APPLICABLE LO PERMITA, ESTA GARANTÍA NO CUBRE, NI BRIZO KITCHEN & BATH COMPANY SERÁ RESPONSABLE, CUALQUIER DAÑO ESPECIAL, INCIDENTAL O CONSECUENTE (INCLUYENDO LOS GASTOS LABORALES PARA REPARAR, REEMPLAZAR, INSTALAR O DESMONTAR ESTE PRODUCTO), YA SEA EL RESULTADO DEL INCUMPLIMIENTO DE CUALQUIER GARANTÍA EXPRESA O IMPLÍCITA, INCUMPLIMIENTO DE CONTRATO, AGRAVIO O DE CUALQUIER OTRA MANERA. BRIZO KITCHEN & BATH COMPANY NO SERÁ RESPONSABLE POR CUALQUIER DAÑO AL GRIFO COMO RESULTADO DEL DESGASTE RAZONABLE, USO EN EL EXTERIOR DE LA PROPIEDAD, USO INDEBIDO (INCLUYENDO EL USO DEL PRODUCTO PARA UNA APLICACIÓN INDEBIDA), AGUA HELADA, ABUSO, NEGLIGENCIA, ENSAMBLE, INSTALACIÓN, O MANTENIMIENTO INADECUADO O INCORRECTO, INCLUYENDO EL NO SEGUIR LAS INSTRUCCIONES CORRESPONDIENTES PARA EL CUIDADO, LA LIMPIEZA Y EL MANTENIMIENTO. Aviso para los residentes del estado de New Jersey: Las disposiciones de esta garantía, incluyendo las limitaciones, tienen el propósito de aplicarse en la máxima medida permitida por las leyes del estado de New Jersey.

**Derechos adicionales.** Esta garantía le otorga derechos legales específicos, y también puede tener otros derechos que varían de estado/provincia a estado/provincia.

Esta es la garantía escrita exclusiva de Brizo Kitchen & Bath Company y la garantía no es transferible.

Si tiene preguntas o dudas con respecto a nuestra garantía, por favor comuníquese con nosotros como indicado arriba o visite nuestro sitio [www.brizo.com](http://www.brizo.com). © 2022 Masco Corporation de Indiana

## Garantie limitée des robinets Brizo®

**Pièces et finis.** Tous les pièces (autres que les composants électroniques, les modules d'alimentation d'interrupteur pneumatique, les piles et les pièces non fournies par Brizo Kitchen and Bath Company) et les finis des robinets Brizo® achetés auprès de vendeurs Brizo autorisés sont protégés contre les défauts du matériau et les vices de fabrication par une garantie qui est consentie au premier acheteur au détail et qui demeure valide tant que celui-ci demeure propriétaire de la maison dans laquelle le robinet a été installé. En ce qui concerne les acheteurs commerciaux, la période de garantie est a) de dix (10) ans pour les applications résidentielles multifamiliales et b) de cinq (5) ans pour toutes les autres applications commerciales, à compter de la date d'achat dans chaque cas. Dans le libellé de la présente garantie, on entend par « application résidentielle multifamiliale », un robinet acheté chez un vendeur Brizo autorisé par un acheteur qui est propriétaire d'un logement résidentiel sans l'habiter et installé la première fois dans cet immeuble. Il peut s'agir d'un immeuble individuel comportant un ou plus d'un logement loué (duplex ou groupe de maisons en rangée), d'un condominium, d'un immeuble d'habitation ou d'un centre d'intégration communautaire. Les applications décrites ci-après ne sont pas considérées comme étant des applications résidentielles multifamiliales et elles sont couvertes par la garantie de cinq (5) ans plutôt que par la garantie de dix (10) ans. Ce sont les suivantes : robinets installés dans un bâtiment industriel, un bâtiment institutionnel et un autre immeuble commercial, notamment une résidence d'étudiants, un lieu d'hébergement (hôtel, motel ou lieu de séjour prolongé), un aéroport, un établissement d'enseignement, un établissement de soins de santé de courte ou de longue durée (hôpital, centre de réadaptation, maison de soins infirmiers, résidence pour personnes âgées), un endroit public ou un lieu commun.

**Composants électroniques et piles (le cas échéant).** Les composants électroniques (autres que les modules d'alimentation d'interrupteur pneumatique et les piles) des robinets Brizo® achetés auprès de vendeurs Brizo autorisés sont protégés contre les défauts du matériau et les vices de fabrication par une garantie consentie au premier acheteur au détail qui est d'une durée de deux (2) ans à compter de la date d'achat. En ce qui concerne les acheteurs commerciaux, la garantie est d'une durée d'un (1) an à compter de la date d'achat.

**Module d'alimentation d'interrupteur pneumatique.** Le module d'alimentation électronique des interrupteurs pneumatiques Brizo® acheté auprès de vendeurs Brizo autorisés est protégé contre les défauts de matériau et les vices de fabrication par une garantie consentie au premier acheteur au détail qui est d'une durée de deux (2) ans à compter de la date d'achat. En ce qui concerne les acheteurs commerciaux, la garantie est d'une durée d'un (1) an à compter de la date d'achat.

**Ce que nous ferons.** Brizo Kitchen and Bath Company réparera ou remplacera gratuitement, pendant la période de garantie applicable (décrite ci-dessus), toute pièce ou tout fini qui présentera une déficience de matériau et/ou un vice de fabrication pour autant que le produit ait été installé, utilisé et entretenu normalement. Brizo Kitchen & Bath Company pourra, à son entière discrétion, utiliser des pièces ou des produits neufs, remis en état ou recertifiés pour effectuer la réparation ou le remplacement. S'il n'est pas utile de réparer ou de remplacer le produit, Brizo Kitchen & Bath Company pourra rembourser le prix d'achat en échange du produit retourné. **Il s'agit de vos seuls recours.**

**Ce qui n'est pas couvert.** Brizo Kitchen and Bath Company ne peut contrôler la qualité des produits Brizo vendus par des vendeurs non autorisés. Par conséquent, la présente garantie ne couvre pas les produits achetés auprès de vendeurs non autorisés, à moins que la loi n'interdise une telle limitation de la garantie (allez à Brizo.com pour obtenir la liste de nos revendeurs en ligne autorisés).

La présente garantie ne couvre pas les frais de main-d'œuvre encourus par l'acheteur pour la réparation, le remplacement, l'installation ou la dépose du produit. Brizo Kitchen & Bath Company se dégage de toute responsabilité à l'égard de toute détérioration du produit résultant d'une utilisation raisonnable et des dommages causés par une utilisation à l'extérieur, un mauvais usage (y compris l'utilisation du produit à des fins autres que celles auxquelles il est destiné), le gel de l'eau, un usage abusif, la négligence ou l'utilisation d'une méthode d'assemblage, d'installation, de maintenance ou de réparation incorrecte ou inadéquate, y compris les dommages résultant du non-respect des instructions de nettoyage et d'entretien applicables. La présente garantie ne couvre pas non plus les composants non authentiques achetés par le consommateur ou un utilisateur commercial et installés dans un produit Brizo ainsi que tous les dommages résultant de la dépose ou d'une mauvaise installation desdits composants.

Brizo Kitchen and Bath Company vous recommande de confier tous les travaux d'installation et de réparation à un plombier profes-

sionnel. Nous vous recommandons également d'utiliser uniquement des pièces de rechange Brizo® authentiques.

Ce que vous devez faire pour vous prévaloir de la garantie ou obtenir des pièces de rechange Vous pouvez présenter une réclamation en vertu de la garantie et obtenir des pièces de rechange en appelant au 1-877-345-BRIZO (2749) ou en communiquant avec nous à l'une des adresses postales ou des adresses de courriel indiquées ci-dessous (n'oubliez pas d'indiquer le numéro de modèle et la date d'achat).

### Aux États-Unis et au Mexique

Brizo Kitchen and Bath Company  
55 E. 111th Street  
Indianapolis, IN 46280  
Attention: Warranty Service  
<https://www.brizo.com/customer-support/contact-us>

### Au Canada:

Masco Canada Limited, Groupe plomberie  
Centre de services techniques  
350, chemin South Edgeware  
St. Thomas (Ontario) Canada N5P 4L1  
<https://www.brizo.com/customer-support/contact-us>

La preuve d'achat (original du reçu) du premier acheteur doit être présentée à Brizo Kitchen & Bath Company pour toutes les réclamations en vertu de la garantie, sauf si le produit a été enregistré auprès de Brizo Kitchen & Bath Company. La présente garantie s'applique uniquement aux robinets Brizo® installés aux États-Unis d'Amérique, au Canada et au Mexique.

**Limitation de la durée des garanties implicites.** Veuillez noter qu'il est interdit dans certains États et certaines provinces (y compris le Québec) de limiter la durée d'une garantie implicite. Par conséquent, les limites mentionnées ci-dessous peuvent ne pas s'appliquer à vous. DANS LA MESURE DE CE QUI EST PERMIS PAR LA LOI APPLICABLE, TOUTES LES GARANTIES IMPLI-CITES, Y COMPRIS LES GARANTIES IMPLI-CITES DE QUALITÉ MARCHANDE ET D'ADÉQUATION À UN USAGE PARTICULIER, SE LIMITENT À LA PÉRIODE FIXÉE PAR LA LOI OU À LA DURÉE DE LA PRÉSENTE GARANTIE, LA PLUS COURTE DES DEUX PÉRIODES S'APPLIQUANT.

**Limitation des dommages particuliers, consécutifs ou indirects.** Veuillez noter qu'il est interdit dans certains États et certaines provinces (y compris le Québec) d'exclure ou de limiter les dommages particuliers, consécutifs ou indirects. Par conséquent, les exclusions et les limites mentionnées ci-dessous peuvent ne pas s'appliquer à vous. DANS LA MESURE DE CE QUI EST PERMIS PAR LA LOI APPLICABLE, BRIZO KITCHEN & BATH COMPANY SE DÉGAGE DE TOUTE RESPONSABILITÉ À L'ÉGARD DES DOMMAGES PARTICULIERS, CONSÉQUENTS OU INDIRECTS (Y COMPRIS LES FRAIS DE MAIN-D'ŒUVRE POUR LA RÉPARATION, LE REMPLACEMENT, L'INSTALLATION OU LA DÉPOSE DU PRODUIT), PEU IMPORTÉ QU'ILS DÉCOULENT D'UNE RUPTURE D'UNE GARANTIE IMPLICITE OU EXPLICITE, D'UNE RUPTURE DE CONTRAT, D'UN DÉLIT CIVIL OU D'UNE AUTRE CAUSE. BRIZO KITCHEN & BATH COMPANY SE DÉGAGE DE TOUTE RESPONSABILITÉ À L'ÉGARD DE TOUTE DÉTÉRIORATION DU ROBINET RÉSULTANT D'UNE USURE RAISONNABLE ET DES DOMMAGES CAUSÉS PAR UNE UTILISATION À L'EXTÉRIEUR, UN MAUVAIS USAGE (Y COMPRIS L'UTILISATION DU PRODUIT À DES FINS AUTRES QUE CELLES AUXQUELLES IL EST DESTINÉ), LE GEL DE L'EAU, UN USAGE ABUSIF, LA NÉGLIGENCE OU L'UTILISATION D'UNE MÉTHODE D'ASSEMBLAGE, D'INSTALLATION, DE MAINTENANCE OU DE RÉPARATION INCORRECTE OU INADÉQUATE, Y COMPRIS LES DOMMAGES RÉSULTANT DU NON-RESPECT DES INSTRUCTIONS D'INSTALLATION, DE NETTOYAGE ET D'ENTRETIEN APPLICABLES, ET CES DOMMAGES NE SONT PAS COUVERTS PAR LA GARANTIE. Avis à l'intention des résidents de l'État du New Jersey : Les dispositions de la présente garantie, y compris ses limites, s'appliquent dans toute la mesure permise par les lois de l'État du New Jersey.

**Droits supplémentaires.** La présente garantie vous procure des droits particuliers reconnus par la loi. Vous pouvez aussi avoir d'autres droits qui varient selon l'État ou la province.

La présente garantie écrite est la seule garantie offerte par Brizo Kitchen & Bath Company et elle n'est pas transférable.

Si vous avez des questions ou des préoccupations concernant notre garantie, veuillez communiquer avec nous de la manière indiquée ci-dessus ou visiter notre site Web à l'adresse [www.brizo.com](http://www.brizo.com).

© 2022 Division de Masco Indiana