

**15" PAULE RECTANGULAR  
STAINLESS STEEL PREP SINK**

Cat. No  
PSSSB2054-SS



W: 15"  
D: 20"  
H: 10"

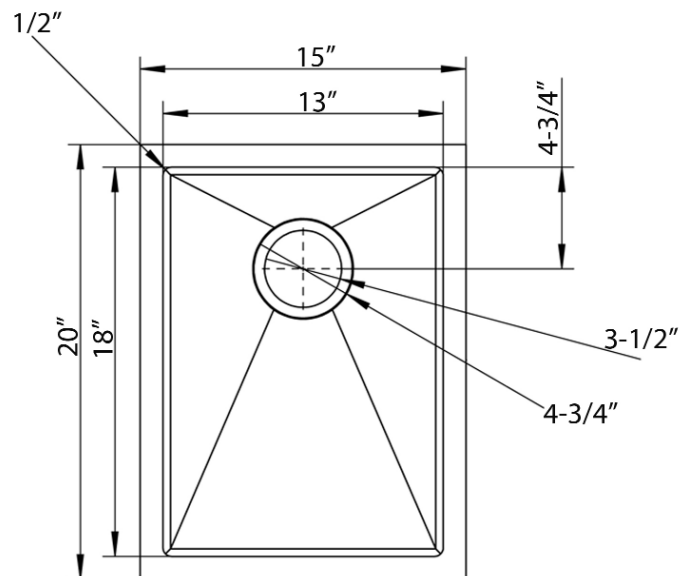
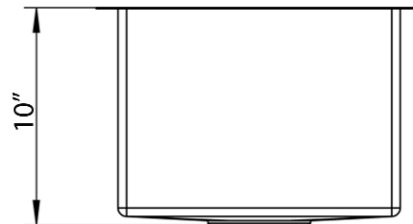
**\*Please do NOT cut hole without  
template or actual product.**

**Interior Dimensions:**

Basin Interior: 13" W x 18" D  
Basin Depth: 9-1/2"

**Features:**

- ▶ Solid 16 gauge, 304 grade metal construction
- ▶ Narrow space saving design
- ▶ Matte finish
- ▶ Coated for sound insulation
- ▶ Mounting clips and template included
- ▶ Lip is 1-1/16" wide
- ▶ Drain is 3-1/2"
- ▶ Drain sold separately
- ▶ Wire grid available to purchase separately,  
**PSSSB2054-Wire**



Dimensions of fixture are nominal and may vary within the range of tolerances established by ANSI Standard A112.19.2. Dimensions and specifications subject to change without notice.