

KITCHEN DRAIN

Cat. No.
55720

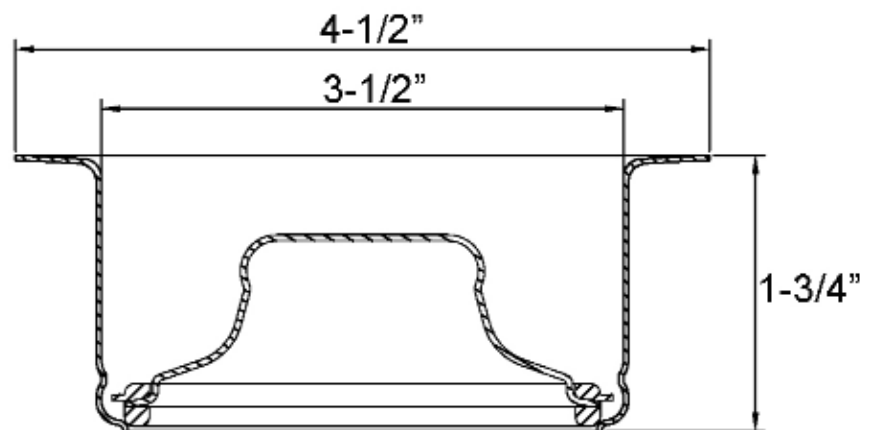


Features:

- ▶ Includes flange and stopper
- ▶ Fits standard 3-1/2" drain opening
- ▶ Easy installation from above sink
- ▶ Available in 7 finishes

Finishes:

CP	Polished Chrome
ORB	Oil Rubbed Bronze
PB	Polished Brass
MB	Matte Black
BN	Brushed Nickel
WH	White
PN	Polished Nickel



Dimensions and specifications subject to change without notice.