

**GAVIN 54"  
CAST IRON  
SLIPPER TUB**

Cat. No.  
CTS7H54I



L: 54-1/4"  
W: 30-1/8"  
H: 23" - 29-3/8" (from floor to top of tub)

Water depth: 17-1/4" to top of tub  
Water depth: 13" to overflow

**The following is recommended for CTS7H54I tubs:**

- Rim-mounted faucet: part #4601 or 4201
- Straight bath supplies: part #5577
- Leg tub drain: part #5599
- Complete shower unit: Part #4063

Gallon Capacity: 29  
Shipping Weight: 385 lbs.  
Empty Weight: 275 lbs.  
Filled Weight: 517 lbs.

**Features:**

- ▶ Inside finish is white porcelain enamel
- ▶ Cast Iron imperial feet available in 5 finishes
- ▶ Tub exterior is white (epoxy)
- ▶ 7" centers in tub deck
- ▶ Pre-drilled overflow hole
- ▶ Tub is thoroughly inspected before shipment

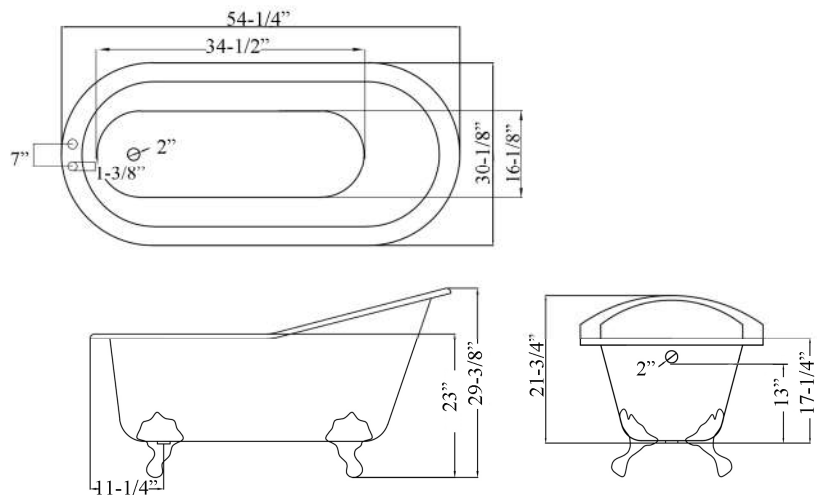
**Foot Finishes:**

- SN Brushed Nickel
- CP Polished Chrome
- PB Polished Brass



- WH White
- PN Polished Nickel
- ORB Oil-rubbed Bronze

**Custom Colors Available** (inside of tub is always white enamel):  
Painted bathtubs are considered "special order" and are not returnable  
\$160 Bisque or Black \$250 Designer Color



Dimensions of fixture are nominal and may vary within the range of tolerances established by ANSI Standard A112.19.2. Dimensions and specifications subject to change without notice.